

HP HDTV User's Guide

HP LC4776N 47-Inch LCD High-Definition Television

HP LC4276N 42-Inch LCD High-Definition Television

HP LC4272N 42-Inch LCD High-Definition Television

HP LC4270N 42-Inch LCD High-Definition Television

HP LC3772N 37-Inch LCD High-Definition Television

HP LC3770N 37-Inch LCD High-Definition Television

HP LC3272N 32-Inch LCD High-Definition Television

HP LC3270N 32-Inch LCD High-Definition Television



i n v e n t

The only warranties for HP products and services are set forth in the express warranty statements accompanying such products and services. Nothing herein should be construed as constituting an additional warranty. HP shall not be liable for technical or editorial errors or omissions contained herein.


HP assumes no responsibility for the use or reliability of its software on equipment that is not furnished by HP.

This document contains proprietary information that is protected by copyright. No part of this document may be photocopied, reproduced, or translated to another language without the prior written consent of HP.

Hewlett-Packard Company
P.O. Box 4010
Cupertino, CA 95015-4010
USA

Copyright © 2007 Hewlett-Packard Development Company, L.P.

May be licensed in the United States by one or both of U.S. Patents Nos. 4,930,158 and 4,930,160 until August 28, 2008.

 Manufactured under license from Dolby Laboratories. "Dolby" and the double-D symbol are trademarks of Dolby Laboratories.

HDMI, the HDMI logo and High-Definition Multimedia Interface are trademarks or registered trademarks of HDMI Licensing LLC.

ENERGY STAR is a registered trademark owned by the U.S. government.

HP supports lawful use of technology and does not endorse or encourage the use of our products for purposes other than those permitted by copyright law.

The information in this document is subject to change without notice.



CAUTION: Text set off in this manner indicates that failure to follow directions could result in damage to equipment or loss of information.



WARNING: This symbol is intended to alert the user to the presence of important operating and maintenance (servicing) instructions in the literature accompanying the appliance.



DANGEROUS VOLTAGE: Text set off in this manner indicates the presence of uninsulated voltages within the product enclosure that may be of sufficient magnitude to constitute a risk of electrical shock to persons.



Text set off in this manner indicates information you need.



Text set off in this manner indicates important information you need.

Important Safeguards

WARNING: TO REDUCE THE RISK OF FIRE OR ELECTRICAL SHOCK, DO NOT EXPOSE THIS APPLIANCE TO RAIN OR MOISTURE.

 **CAUTION: RISK OF ELECTRICAL SHOCK** 
DO NOT OPEN

CAUTION: TO REDUCE THE RISK OF ELECTRICAL SHOCK, DO NOT REMOVE COVER (OR BACK). NO USER-SERVICEABLE PARTS INSIDE. REFER SERVICING TO QUALIFIED SERVICE PERSONNEL.



THIS SYMBOL IS INTENDED TO ALERT THE USER TO THE PRESENCE OF UNINSULATED "DANGEROUS VOLTAGES" WITHIN THE PRODUCT'S ENCLOSURE THAT MAY BE OF SUFFICIENT MAGNITUDE TO CONSTITUTE A RISK OF ELECTRICAL SHOCK TO PERSONS. REFER SERVICING TO QUALIFIED SERVICE PERSONNEL.



THIS SYMBOL IS INTENDED TO ALERT THE USER TO THE PRESENCE OF IMPORTANT OPERATING AND MAINTENANCE (SERVICING) INSTRUCTIONS IN THE LITERATURE ACCOMPANYING THE APPLIANCE.

CAUTION: DO NOT PLACE THIS PRODUCT ON AN UNSTABLE CART, STAND, TRIPOD, BRACKET, OR TABLE. THE PRODUCT MAY FALL CAUSING SERIOUS PERSONAL INJURY AND SERIOUS DAMAGE TO THE PRODUCT. USE ONLY WITH A CART, STAND, TRIPOD, BRACKET, OR TABLE RECOMMENDED BY THE MANUFACTURER OR SOLD WITH THE PRODUCT. FOLLOW THE MANUFACTURER'S INSTRUCTIONS WHEN INSTALLING THE PRODUCT AND USE MOUNTING ACCESSORIES RECOMMENDED BY THE MANUFACTURER. A PRODUCT AND CART COMBINATION SHOULD BE MOVED WITH CARE. QUICK STOPS, EXCESSIVE FORCE, AND UNEVEN SURFACES MAY CAUSE THE PRODUCT AND CART COMBINATION TO OVERTURN.



INFORMATION

This equipment has been tested and found to comply with the limits for a Class B digital device, pursuant to Part 15 of the FCC Rules. These limits are designed to provide reasonable protection against harmful interference in a residential installation. This equipment generates, uses, and can radiate radio frequency energy and, if not installed and used in accordance with the instructions, may cause harmful interference to radio communications. However, there is no guarantee that interference will not occur in a particular installation. If this equipment does cause harmful interference to radio or television reception, which can be determined by turning the equipment off and on, the user is encouraged to try to correct the interference by one or more of the following measures:

- Reorient or relocate the receiving antenna.
- Increase the separation between the equipment and receiver.
- Connect the equipment into an outlet on a circuit different from that to which the receiver is connected.
- Consult the dealer or an experienced radio/TV technician for help.

Closed caption notice

This television receiver provides display of television closed captioning in accordance with § 15.119 of the FCC Rules.

Modifications

The FCC requires the user to be notified that any changes or modifications made to this device that are not expressly approved by Hewlett-Packard Company may void the authority to operate the equipment.

Cables

Connections to this device must be made with shielded cables with metallic RFI/EMI connector hoods in order to maintain compliance with FCC Rules and Regulations.

RESPONSIBLE PARTY

Hewlett-Packard Company
Attn: Product Regulations Manager
10955 Tantau Avenue
Cupertino, CA 95014 USA

Important Safety Instructions

Electricity is used to perform many useful functions, but it can also cause personal injuries and property damage if improperly handled. This product has been engineered and manufactured with the highest priority on safety. However, improper use can result in electric shock and/or fire. In order to prevent potential danger, please observe the following instructions when installing, operating, and cleaning the product. To ensure your safety and prolong the service life of your television, please read the following precautions carefully before using the product.

- 1** Read these instructions.
- 2** Keep these instructions.
- 3** Heed all warnings.
- 4** Follow all instructions.
- 5** Do not use this apparatus near water.
- 6** Clean only with a soft cloth. If needed, dampen cloth with water. Never use solvents or abrasive cleaning solutions to clean this product or permanent damage may result.
- 7** Do not block any ventilation openings. Install in accordance with the manufacturer's instructions.
- 8** Do not install near any heat sources such as radiators, heat registers, stoves, or other apparatus (including amplifiers) that produce heat.
- 9** Do not defeat the safety purpose of the polarized or grounding-type plug. A polarized plug has two blades with one wider than the other. A grounding-type plug has two blades and a third grounding prong. The wide blade or the third prong are provided for your safety. If the provided plug does not fit into your outlet, consult an electrician for replacement of the obsolete outlet.
- 10** Protect the power cord from being walked on or pinched particularly at plugs, convenience receptacles, and the point where they exit from the apparatus.
- 11** Only use attachments/accessories specified by the manufacturer.
- 12** Use only with the cart, stand, tripod, bracket, or table specified by the manufacturer, or sold with the apparatus. When a cart is used, use caution when moving the cart/apparatus combination to avoid injury from tip-over.
- 13** Unplug this apparatus during lightning storms or when unused for long periods of time.
- 14** Refer all servicing to qualified service personnel. Servicing is required when the apparatus has been damaged in any way, the power-supply cord or plug is damaged, liquid has been spilled or objects have fallen into the apparatus, the apparatus has been exposed to rain or moisture, does not operate normally, or has been dropped.
- 15** Power Sources—This product should be operated only from the type of power source indicated on the marking label. If you are not sure of the type of power supply to your home, consult your product dealer or local power company. For products intended to operate from battery power, or other sources, refer to the operating instructions.
- 16** Overloading—Do not overload wall outlets, extension cords, or integral convenience receptacles as this can result in a risk of fire or electric shock.
- 17** Replacement Parts—When replacement parts are required, be sure the service technician has used replacement parts specified by the manufacturer or have the same characteristics as the original part. Unauthorized substitutions may result in fire, electric shock, or other hazards.
- 18** Safety Check—Upon completion of any service or repairs to this product, ask the service technician to perform safety checks to determine that the product is in proper operating condition.



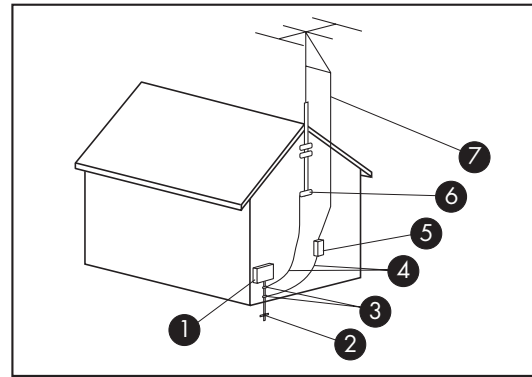
19 The apparatus shall not be exposed to dripping or splashing and no objects filled with liquids, such as vases, shall be placed on the apparatus.

20 WARNING: Plug the power cord into a power outlet where access to the power cord connector is readily accessible in case power disconnection is required.

21 Servicing: The user should not attempt to service the appliance beyond that described in the operating instructions. All other servicing should be referred to qualified service personnel.

-
- **Water and Moisture**—Do not use this product near water; for example, near a bath tub, wash bowl, kitchen sink, or laundry tub; in a wet basement; or near a swimming pool; and the like.
 - **Stand**—Do not place the product on an unstable cart, stand, tripod, or table. Placing the product on an unstable base can cause the product to fall, resulting in serious personal injuries as well as damage to the product. Use only a cart, stand, tripod, bracket, or table recommended by the manufacturer or sold with the product.
 - **Ventilation**—The vents and other openings in the cabinet are designed for ventilation. Do not cover or block these vents and openings since insufficient ventilation can cause overheating and/or shorten the life of the product. Do not place the product on a bed, sofa, rug, or other similar surface, since they can block ventilation openings. This product is not designed for built-in installation; do not place the product in an enclosed place such as a bookcase or rack, unless proper ventilation is provided or the manufacturer's instructions are followed.
 - **The display panel used in this product is made of glass.** Therefore, it can break when the product is dropped or applied with impact. Be careful not to be injured by broken glass pieces in case the panel breaks.
 - **Heat**—The product should be situated away from heat sources such as fireplaces, chimneys, radiators, heat registers, stoves, or other products (including amplifiers) that produce heat.
 - **Lightning**—For added protection for this television equipment during a lightning storm, or when it is left unattended and unused for long periods of time, unplug it from the wall outlet and disconnect the antenna. This will prevent damage to the equipment due to lightning and power-line surges.
 - **Power Lines**—An outside antenna system should not be located in the vicinity of overhead power lines or other electric light or power circuits, or where it can fall into such power lines or circuits. When installing an outside antenna system, extreme care should be taken to keep from touching such power lines or circuits as contact with them might be fatal.

- **Outdoor Antenna Grounding**—If an outside antenna is connected to the television equipment, be sure the antenna system is grounded so as to provide some protection against voltage surges and built-up static charges. Article 810 of the National Electrical Code, ANSI/NFPA 70, provides information with regard to proper grounding of the mast and supporting structure, grounding of the lead-in wire to an antenna discharge unit, size of grounding conductors, location of antenna-discharge unit, connection to grounding electrodes, and requirements for the grounding electrode.



Antenna Grounding

Antenna Grounding

Reference	Grounding Component
①	Electric Service Equipment
②	Power Service Grounding Electrode System (NEC Art 250, Part H)
③	Ground Clamps
④	Grounding Conductors (NEC Section 810-21)
⑤	Antenna Discharge Unit (NEC Section 810-20)
⑥	Ground Clamp
⑦	Antenna Lead in Wire

- To prevent fire, never place any type of candle or flames on the top or near the TV set.
- To prevent fire or shock hazard, do not expose this product to dripping or splashing. No objects filled with liquids, such as vases, should be placed on the product.
- To prevent fire or shock hazard, do not place the AC power cord under the TV set or other heavy items.
- Turn off the main power and unplug the AC cord from the wall outlet before handling.

Important Information

The TV must be serviced by an authorized service technician. The TV is not user-serviceable.

Changes can damage your TV and void your warranty. Changes or modifications not expressly approved by the manufacturer could void the user's authority to operate the equipment.

Recycling Information

For information about how to recycle this product through HP, see:

<http://www.hp.com/recycle>

Other recycling options may also be available in your area. If located within the U.S. and Canada, you may also call (1) (888) 485-1849.

ENERGY STAR Compliance

Products marked with the ENERGY STAR logo on the packaging box qualify with the U.S. Environmental Protection Agency's ENERGY STAR guidelines for energy efficiency.



Products with the ENERGY STAR label are designed to use less energy, help you save money on utility bills, and help protect the environment.

ENERGY STAR is a registered trademark owned by the U.S. government.

Materials disposal

This HP product contains the following materials that might require special handling at end-of-life:

- Mercury in the fluorescent lamp in the LCD.

Disposal of mercury may be regulated because of environmental considerations. For disposal or recycling information, please contact your local authorities or the Electronic Industries Alliance (EIA) (<http://www.eia.org>).

Cleaning precautions

Unplug the TV before cleaning the screen.

Using solvents, such as alcohol, or abrasive materials, such as a premoistened or chemically treated towel, may affect the TV or bezel paint.

Do not expose the product to volatile gases or fluids such as pesticides.

Do not put the TV in contact with vinyl or rubber products for an extended period of time. Extended contact may result in the removal of or degradation of the surface.

Lifting precautions

The TV is heavy; be sure to use ergonomically correct lifting procedures when moving the TV.

Due to the size and weight of the TV, it is recommended that a minimum of two people move it.

To transport the TV, grasp the left and right ends of the panel in the areas below and above the screen. Do not lift the TV by the attached stand.

Never place the display with the glass screen facing downward, unless it is protected with pads.

Table of Contents

Important Safeguards	iii
INFORMATION.....	iv
Important Safety Instructions	v
Important Information	viii
Getting to Know Your TV.....	1
Identifying Items in the Box	2
Locating TV Controls and Connectors	3
Cleaning	6
Cleaning precautions	6
Cleaning the TV.....	6
Setting Up the TV	7
Selecting a Good Location.....	7
Lifting the TV	8
Attaching or removing the stand	8
Connecting to the TV.....	10
Choosing the AV connection to use.....	10
Connecting the TV signal sources.....	11
Connecting the cable TV or air broadcast antenna.....	12
Connecting cable or satellite with a set-top box.....	12
Connecting a DVD player, VCR, DVR, game console, or camcorder.....	14
Connecting a VCR for recording.....	16
Connecting a PC	16
Connecting an external sound system.....	17
Connecting power to the TV.....	18
Turning On the TV	19
Turning the TV On and Off	19
Using the First-Time Setup Wizard	20
Operating the TV	21
Using the Remote Control.....	21
Using universal remote controls.....	21
Installing or replacing remote control batteries.....	21
Identifying the remote control buttons.....	22
Adjusting the Volume	24
Muting the sound	24
Changing the Picture Mode.....	24
Changing Channels	24
Selecting the last channel	24
Selecting a favorite channel	24
Displaying program information.....	25
Selecting the Input Source	25
Changing the View by Using the Aspect Button	26
Turning On Captions.....	27
Setting the SAP/MTS stereo mode.....	27
Changing the Audio Mode	27
Setting the Sleep Timer	27
Adjusting the TV Settings.....	28
Opening and closing the OSD.....	28
Changing the TV Settings	29
Using the OSD Menus	29
Using the Picture Menu	30
Adjusting the picture image.....	31
Using the Audio Menu.....	31
Adjusting the audio	31
Using the Channel Menu	33
Using the Parental (Control) Menu.....	33
Using the Password	34
Setting Parental Controls	34
Temporarily releasing a blocked program	38
Reactivating parental controls after a temporary release	38

Using the Setup Menu	39
Using the Time Menu	39
Using the Caption (Closed Caption) Menu	40
Caption menu	40
Selecting the OSD Language.....	41
Starting the Setup Wizard	41
Changing the Input Labels	41
Returning to Default Settings.....	42

Finding Answers to Questions43

Understanding TV Terms.....	43
What are analog TV, digital TV, and high-definition TV (HDTV)?	43
What is the difference between progressive and interlaced signal formats for digital TVs? ...	43
What is variable aspect ratio?	44
What is HDMI?	44
Identifying Cable Usage.....	45

Specifications 47

PC Compatibility Chart.....	50
-----------------------------	----

Troubleshooting 51

Getting to Know Your TV

Thank you for purchasing an HP LCD High-Definition Television. All HP high-definition televisions deliver a world-class picture in a design that is sleek and stylish.

Features:

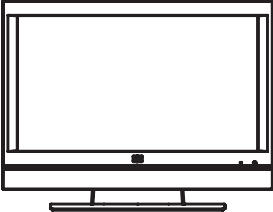
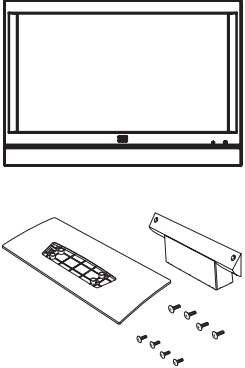

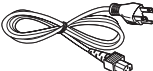
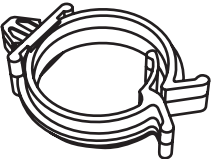
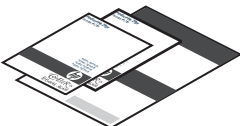
- Exceptional image accuracy, with deep blacks and bright, clear pictures that bring the finest details to life, thanks to an advanced video engine that offers dynamic contrast adjustment and photorealistic sharpness enhancement. This HP TV features a 3D Y/C Digital Comb-Filter color enrichment system that reproduces accurate flesh tones and vivid colors.
- Fantastic and powerful sound that emanates from two built-in speakers. The HP high-fidelity speaker system is complemented by HP Virtual Sound audio processing technology, which enhances vocal clarity and bass performance for an immersive sound experience.
- A comprehensive array of digital and analog inputs, including an integrated HDTV Tuner, HDMI, and component video inputs. Analog and digital audio output connectors enable seamless connectivity to external audio speakers or an audio receiver.
- A luxurious finish television that blends with any décor. The tabletop stand is sleek and stylish and is detachable.
- Photorealistic Sharpness Enhancement yields crystal-clear and sharp pictures.

- Dynamic contrast adaptation, which enables picture quality adjustment on a scene-by-scene basis.
- Motion Adaptive Noise Reduction, which greatly reduces visual noise without reducing detail.
- Advanced scaling and film-processing technology, which enables enjoyment of DVDs and standard-definition TV on a big screen.
- Integrated digital HDTV/analog tuner—for HD shows from cable or off-the-air sources.
- HDMI ports that provides digital video and audio through a single cable.
- Ultra-long-life panel provides up to 60,000 hours of operation.

All specifications represent the typical specifications provided by HP's component manufacturers; actual performance may vary either higher or lower.

The panel life is determined as the time at which luminance is 50% compared to that of initial value at the typical lamp current on condition of continuous operation at 25 +/- °C. 60,000 hours equates to more than twenty-three years at seven hours a day viewing.

Identifying Items in the Box

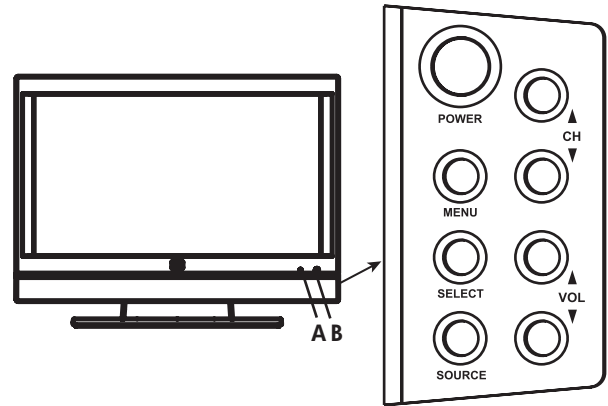
	Television with stand attached
	<p><i>Or, for select models:</i></p> <ul style="list-style-type: none">■ Television panel (stand detached)■ TV stand (two pieces) and eight screws
	Remote control
	AC power cord
	Cable clamp
	Documentation

Locating TV Controls and Connectors

The TV contains controls (indicators and buttons), and connectors.

TV controls

The TV indicators are located on the front of the TV, and the buttons are located on the right side.

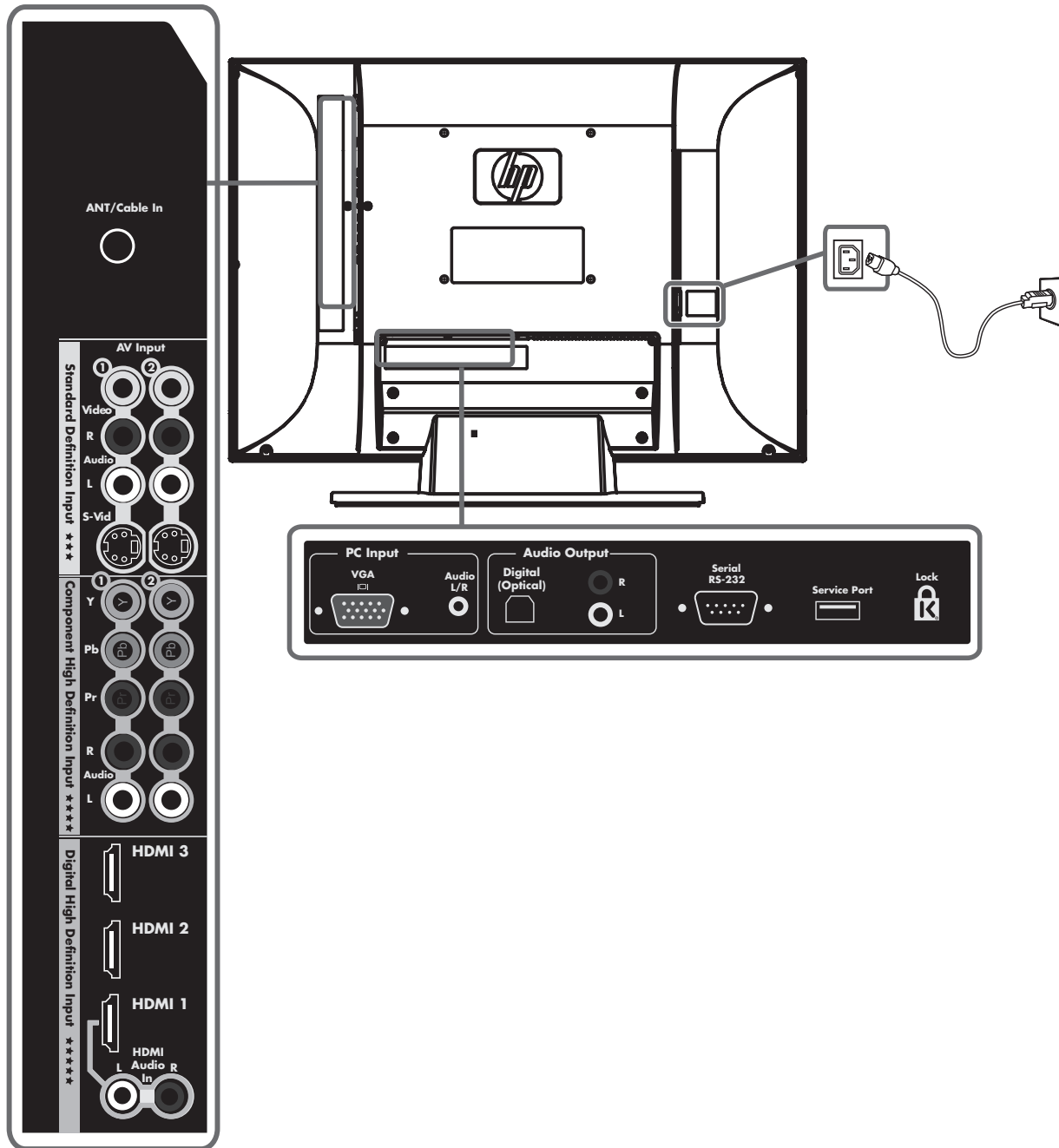


TV button	Description
A: Power light	Power light shows whether the TV is on or off. The light is blue when TV is plugged in but turned off. The light is amber while the TV is powering up after you turn it on, and then it goes off after about 30 seconds. The light is off when the TV is not plugged in.
B: Remote control sensor	Remote control sensor is the location where you point the remote control.
POWER	Power turns the TV on or off.
MENU	Menu opens (or closes) the onscreen display (OSD).
SELECT	Select starts the Auto Sync function for a connected PC signal source. In an OSD menu, selects the highlighted item.
SOURCE	Source selects the input source: Press Source to open the list of input sources. Press the Channel buttons to select the input source, and press Select. Press Source to close the list. In an OSD menu, functions as the Back button, or moves up one item or menu level.
▲ CH ▼	Channel buttons select the next lower or higher channel. In an OSD menu, move up or down in the menu.
▲ VOL ▼	Volume buttons increases or decreases the sound level. In an OSD menu, move right or left in the menu or adjust an item.

TV connectors

The connectors are located on the rear of the TV.

TV connectors shown in the following figure are on the left side, center, and right side of the rear of the TV. The HDMI 3 and RS-232 connectors are present on select models only.



TV (rear)	Description
<ul style="list-style-type: none"> ■ ANT/Cable In 	Connect a coaxial cable from an off-air antenna or cable signal source.
Standard Definition Input: <ul style="list-style-type: none"> ■ AV Input 1: S-Vid, Video, Audio L and R ■ AV Input 2: S-Vid, Video, Audio L and R 	For each AV Input connector set: <ul style="list-style-type: none"> ■ Connect an S-Video cable and left-right audio cables from optional equipment. Or <p>Connect a composite video cable and left-right audio cables from optional equipment.</p> (Audio L and R connectors are shared within the AV connector set.)

!

Do not connect video cables to both the S-Vid and Video connectors.

TV (rear)	Description (Continued)
Component High Definition Input: <ul style="list-style-type: none"> ■ 1: Y, Pb, and Pr, and Audio L and R ■ 2: Y, Pb, and Pr, and Audio L and R 	Connect component video cables and left-right audio cables from optional equipment. Supports 480i, 480p, 720p, and 1080i analog standard and high-definition format inputs. The TV automatically determines what has been connected. Some set-top boxes must be set for a specific output resolution.

TV (rear)	Description (Continued)
Digital High Definition Input: <ul style="list-style-type: none"> ■ HDMI 1 with HDMI Audio In L and R ■ HDMI 2 ■ HDMI 3 (select models only) 	Supports 480i, 480p, 720p, 1080i, and 1080p digital format inputs. The TV automatically determines what has been connected. Some set-top boxes must be set for a specific output resolution. <p>For each HDMI (High-Definition Multimedia Interface) connector: Connect an HDMI cable from optional digital, high-definition equipment.</p> <p>For HDMI 1 with HDMI Audio In: Connect a DVI cable and DVI-to-HDMI converter from optional DVI equipment and left-right audio cables connected to HDMI Audio In L and R.</p>
PC Input: <ul style="list-style-type: none"> ■ VGA ■ Audio L/R 	Connect a VGA cable and an audio cable from your PC (Line out) to use the TV as a monitor.
Audio Output: <ul style="list-style-type: none"> ■ Digital (Optical) ■ Audio Output L and R 	For sound to an external audio system: <ul style="list-style-type: none"> ■ Connect an optical cable for digital sound out to an optional external digital audio system. ■ Connect left-right audio cables for stereo sound out to an optional external (analog) audio system. Use the left (white) connector for mono sound (single cable).

TV (rear)	Description <i>(Continued)</i>
■ Serial RS-232 (select models only)	Used for commercial purposes only.
■ Service Port	Used for repair purposes only.
■ Kensington Lock slot	Use to attach a lock to secure your TV.
■ AC In	Connect the included AC power cord. NOTE: Use only the provided power cord.

Cleaning

Cleaning precautions

Unplug the TV before cleaning the screen.

The TV screen has a special antiglare coating. Using solvents, such as alcohol, or abrasive materials, such as a premoistened or chemically treated towel, may affect the screen coating or bezel paint.

Do not expose the product to volatile gases or fluids such as pesticides.

Do not put the TV in contact with vinyl or rubber products for an extended period of time. Extended contact may result in the removal of the coating or degradation of the surface.

Cleaning the TV

To clean the screen, spray a soft lint-free cloth with water to lightly moisten it. Gently wipe the screen, but without pressing on it.

To clean the outer cabinet, use the same method.

Do not use liquid or aerosol cleaners.

Setting Up the TV

HP recommends professional installation from an authorized installer to ensure maximum enjoyment of your HP HDTV. Be sure to read all the safety information and precautions before starting installation. See the following topics:

- “Important Safeguards” on page iii
- “Important Safety Instructions” on page v
- “Important Information” on page viii

Selecting a Good Location

When selecting the location for your HP HDTV, consider the following conditions:

- Power cord length: Choose a location with easy access to an AC power outlet.
- Cable lengths and distances to attached units: Check that cables can reach the TV.



To view high-definition programming, you must have a high-definition signal source, such as an off-the-air high-definition antenna or cable HD signal, a cable or satellite provider HD set-top box, or a HD-DVD player, connected to the TV. All sources except a HD antenna or cable HD signal, must connect to one of the High Definition Input connector sets on the TV.

- Do not install the TV on an unstable cart or stand; the unit may fall over and cause injury.
- Do not install the TV where it has a protruding edge, such as on a small table where the display overhangs the table surface.

- Do not hang the TV from the ceiling; the unit may fall and cause injury.
- Avoid direct sunlight that may damage the display or interfere with the operation of the remote control.
- Avoid areas of high humidity or damp conditions that may cause fire or electrical shock.
- Do not install TV near appliances, such as a microwave, or near a heat source, such as a fireplace or radiator.
- Do not place the TV on a sloped or unstable surface.
- Provide a minimum of 4 inches (10 cm) of ventilation clearance around the TV.
- Wall-mounting: Your TV can be wall-mounted by using an HP-approved wall-mounting kit (sold separately):

LCD TV Flat Mount, Model PY043AA#ABA

LCD TV Tilting Mount, Model PY044AA#ABA

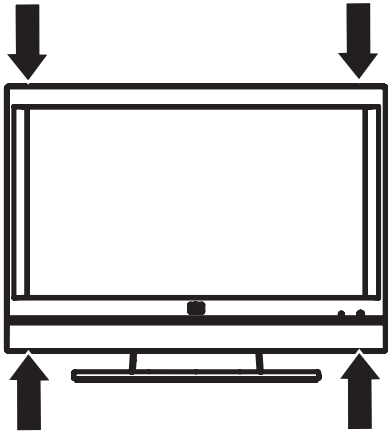
Remove the TV stand; see “Attaching or removing the stand” on page 8. Then follow the installation instructions provided with the wall-mounting kit. HP recommends professional installation if you want to wall-mount your TV.

Lifting the TV

The TV is heavy; be sure to use ergonomically correct lifting procedures when moving the TV.

Due to the size and weight of the TV, it is recommended that a minimum of two people move it.

To transport the TV, grasp the left and right ends of the panel in the areas below and above the screen. Do not lift the TV by the attached stand.



Move the TV gently. Never place the TV with the glass screen facing downward, unless it is protected with pads.

Attaching or removing the stand

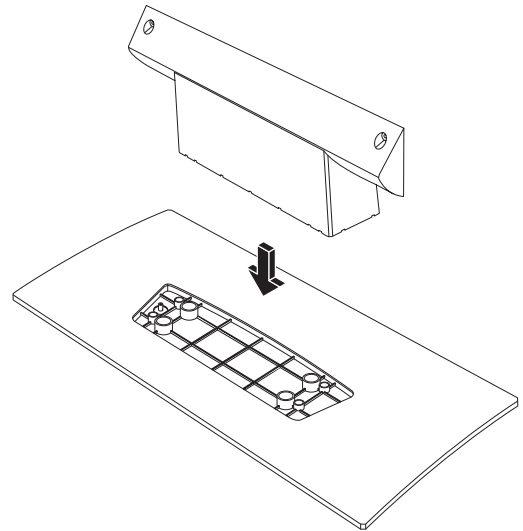
Your HP HDTV comes with the stand attached. Select TV models come with a stand that must be attached to the display. Reverse these steps to remove the stand.



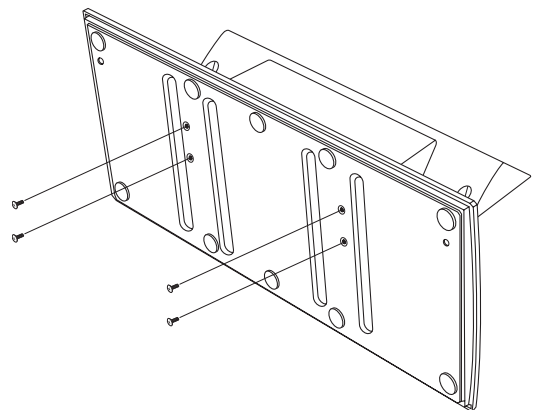
CAUTION: Use two people to assemble the TV.

Before attaching the stand, unplug the AC power cord from the AC power outlet, and remove any cabling.

- 1 Locate the TV stand (two pieces), the TV panel, and the eight screws of mounting hardware from the box.
- 2 Using the two pieces of the stand, place the pedestal onto the base, and press down on the pedestal to insert it into the base.



- 3 Turn the assembled stand over and insert four short screws into the bottom of the base, and tighten the screws to secure the base to the pedestal.

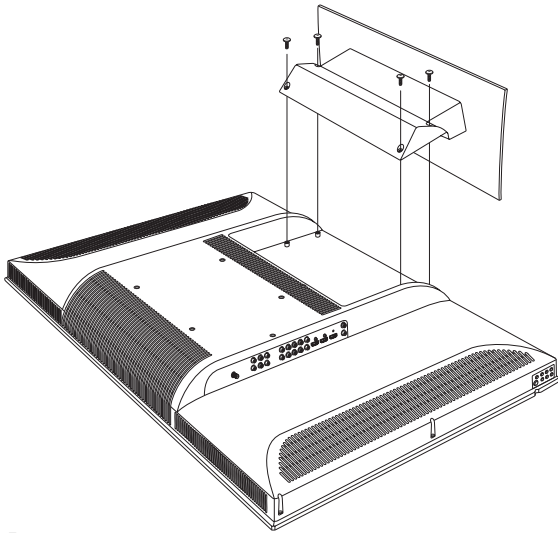


- 4 Carefully place the TV panel with the glass screen facing downward on a padded, stable table. Position the bottom of the TV panel near the edge of the table.



WARNING: Do not allow the stand to drop onto the TV panel.

- 5 Holding the assembled stand by the base with the rear facing up towards you, place the stand into the bottom of the TV. Hold the stand in place.



- 6 Insert four long screws into the holes on the rear of the stand (pedestal) and into the rear of the TV, and then tighten the screws.
- 7 Lift the TV and then position the TV upright on a stable table.

Connecting to the TV

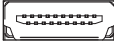


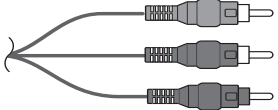



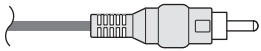
Set up the TV by connecting cables and connecting the AC power cord.

Choosing the AV connection to use

When connecting optional audiovisual (AV) equipment as signal sources, the connectors on the equipment may limit the type of connection you can use.

When your optional equipment has more than one type of output connector, choose the connection that provides the best-quality playback image.

The following table lists the available optional AV equipment connections on the TV.

AV connection to use, in order of decreasing video playback quality (best to good)		
Connection description	TV connector	Cable plug
<p>HDMI (High-Definition Multimedia Interface) transmits an all-digital signal. This is the recommended choice for high-definition signals, and for playback from a digital set-top box, DVD player, or DVR device.</p> <p>For a DVI-D device, you can use a DVI cable with an DVI-to-HDMI converter to connect video to the HDMI 1 connector on the TV, and an audio cable to connect audio from the source to the HDMI Audio In L and R connectors on the TV.</p> <p>Use this connection for standard or high-definition video signals in 480i, 480p, 720p, 1080i, or 1080p input format from a set-top box, DVD player, or other device. This TV does not support Dolby Digital audio input over HDMI. When connecting a set-top box, DVD player, or other device by means of the HDMI connector, set the device audio output to PCM format.</p>		
<p>Component video (Y, Pb, and Pr) transmits video as separate red, green, and blue signals. Use this connection for standard or high-definition video signals in 480i, 480p, 720p, or 1080i format from a DVD player or other equipment.</p>		
<p>S-Video transmits standard video as separate color and black-and-white image signals and delivers a sharper image than a composite video connection.</p>		
<p>Video In (composite video) transmits standard video as a single signal.</p>		

The procedures that follow describe how to connect optional equipment for each type of AV connection, including the audio connections when applicable.

Connecting the TV signal sources



WARNING: Before connecting the TV to any other electronic device, unplug the TV and electronic device AC power cords from the AC power outlet.

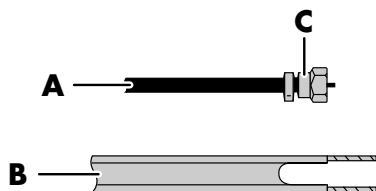
The following is an explanation of the types of connections that are used for a coaxial cable.

If your outdoor antenna uses a 75-ohm coaxial cable with an F-type connector, screw it onto the ANT/Cable In connector at the rear of the TV set.

- A 75-ohm system is generally a round cable with an F-type connector that can easily be attached to a connector without tools (sold separately).
- A 300-ohm system is a flat, twin-lead cable that can be attached to a 75-ohm connector through a 300/75-ohm adapter (sold separately).



An F-type connector should be finger-tightened only. When connecting the RF cable to the TV, do not use tools to tighten the F-type connector, because this may cause damage to the TV.



- A 75-ohm coaxial cable, round**
- B 300-ohm twin-lead cable, flat**
- C F-type connector**

Connect the input sources to the TV according to the type of connection:

- Antenna or basic cable (TV cable or satellite) without a separate set-top box: See “Connecting the cable TV or air broadcast antenna” on page 12.
- Cable or satellite with a separate set-top box: See “Connecting cable or satellite with a set-top box” on page 12.



To connect an external sound system, see “Connecting an external sound system” on page 17.

Connecting the cable TV or air broadcast antenna

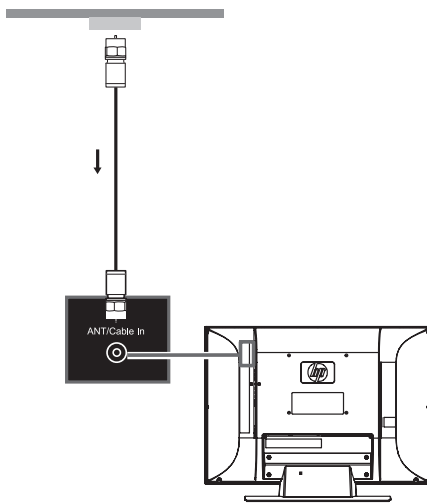
Use standard 75-ohm coaxial cable to connect a ground antenna or cable TV input source to the TV. Use shielded coaxial cable to reduce radio frequency (RF) interference.

Optional equipment, cable TV service, and all cables are sold separately.



CAUTION: Unplug power for the TV and all connected components before connecting the antenna or cable.

- 1 Connect a coaxial cable to the input source.
- 2 Connect the input source coaxial cable to the ANT/Cable In connector on the rear of the TV.



- 3 Connect power to the TV; see "Connecting power to the TV" on page 18.
- 4 Turn on the TV; see "Turning the TV On and Off" on page 19.
- 5 Select the input source to view, as well as the Picture Mode, Aspect, and other options; see "Operating the TV" on page 21.

Connecting cable or satellite with a set-top box

Connecting your TV directly to the audio and video output of your set-top box ensures a more vivid picture and enhances your viewing enjoyment. See "Choosing the AV connection to use" on page 10 for connector and cable information.

Optional equipment and all cables are sold separately.

You can connect a digital TV set-top box (air or cable), and other AV equipment, by using a connector set from one of the following inputs:

- **Digital High Definition Input:** Connect an HDMI cable from the digital, high-definition cable or satellite set-top box to any of the HDMI connectors.

Or

Connect a DVI-D cable and DVI-to-HDMI converter from the digital, high-definition cable or satellite set-top box with a DVI connector to HDMI 1, and left-right audio cables to HDMI Audio In L and R.

HDMI supports 480i, 480p, 720p, 1080i, and 1080p input formats. The TV automatically determines what has been connected. Some set-top boxes must be set for a specific output resolution. The HDMI connectors are:

- HDMI 1 with HDMI Audio In L and R
- HDMI 2
- HDMI 3 (select models only)
- **Component High Definition Input:** Connect component video cables and left-right audio cables from the high-definition cable or satellite set-top box.

Component supports 480i, 480p, 720p, and 1080i input formats. The TV automatically determines what has been connected. Some set-top boxes must be set for a specific output resolution.

The Component connectors are:

- 1: Y, Pb, and Pr, and Audio L and R
- 2: Y, Pb, and Pr, and Audio L and R

- **Standard Definition Input:** Connect an S-Video cable, or a composite video cable, and left-right audio cables from the cable or satellite set-top box. (Audio L and R connectors are shared within the AV connector set.)

The AV Input connectors are:

- 1: S-Vid or Video, and Audio L and R
- 2: S-Vid or Video, and Audio L and R



The Standard Definition Input (S-Vid, or Video) connectors do not pass high-definition TV signals.

To connect the set-top box:



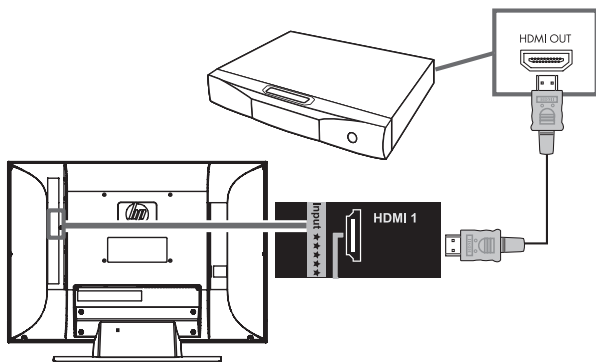
CAUTION: Unplug power for the TV and all connected components before connecting the set-top box.

- 1 Connect the set-top box input source cable(s) to the rear of the TV, using one of the connector sets:

- **Digital High Definition Input:** Connect an HDMI cable to any of the HDMI connectors: HDMI 1, HDMI 2, or HDMI 3 (select models only).

Or

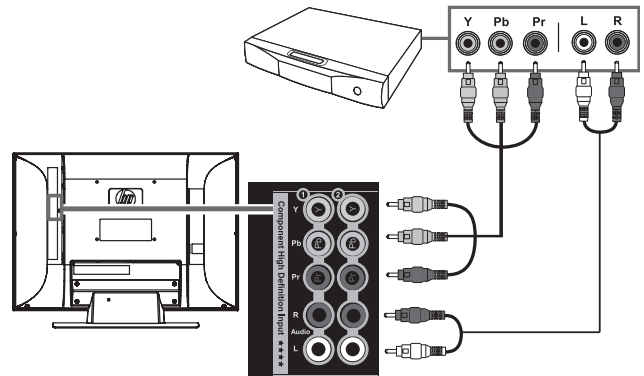
Connect a DVI-D cable and DVI-to-HDMI converter (from digital, high-definition cable or satellite set-top box with a DVI connector) to HDMI 1, and left-right audio cables to HDMI Audio In L and R.



- **Component High Definition Input:** Connect component video cables and left-right audio cables to the Component connectors:

- 1: Y, Pb, and Pr, and Audio L and R
- Or

- 2: Y, Pb, and Pr, and Audio L and R

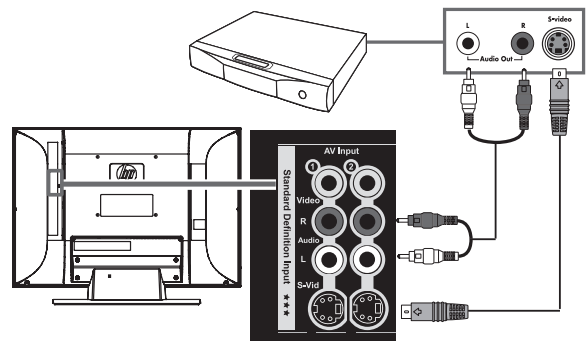


- **Standard Definition Input:** Connect an S-Video cable, or a composite video cable, and left-right audio cables to the AV Input connectors:

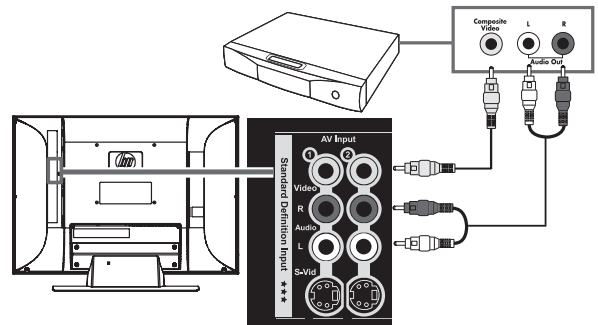
- 1: S-Vid or Video, and Audio L and R
- Or

- 2: S-Vid or Video, and Audio L and R

S-Vid connection



Video connection





Both the S-Video and Video connectors share Audio L and R connectors. (The AV Input 1 set of S-Video and Video connectors share Audio connectors; the AV Input 2 S-Video and Video connectors share Audio connectors.)

Do not connect video cables to both the S-Video and Video connectors in a set.

- 2 Connect the cables to the set-top box.
- 3 Turn on the set-top box.
- 4 Connect power to the TV; see "Connecting power to the TV" on page 18.
- 5 Turn on the TV; see "Turning the TV On and Off" on page 19.
- 6 Select the input source to view, as well as the Picture Mode, Aspect, and other options; see "Operating the TV" on page 21.

Connecting a DVD player, VCR, DVR, game console, or camcorder

You can connect optional equipment (sold separately), such as a DVD player, VCR, DVR, and so on, to the TV.

Optional equipment, including an external sound system, and all cables are sold separately.

To connect a VCR for playback, you can use either S-Video or Video (composite video) connections. The TV does not have video output connectors.

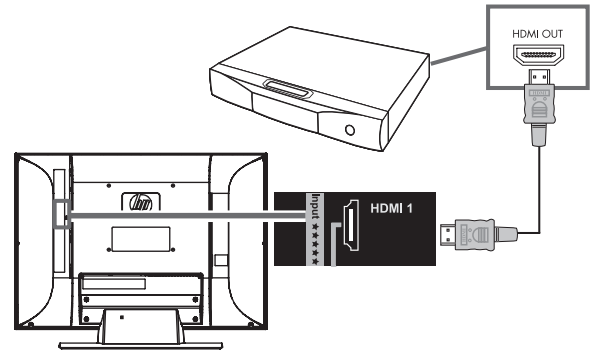


CAUTION: Unplug power for the TV and all connected components before connecting optional equipment. Ensure that the optional equipment is powered off.

Connecting a digital, high-definition DVD player or other equipment by using an HDMI cable

This is the recommended connection for HD video and audio. The HDMI cable is sold separately.

- 1 Connect an HDMI cable to any of the HDMI connectors on the rear of the TV: HDMI 1, HDMI 2, or HDMI 3 (select models only). (There are no separate audio inputs for HDMI.)

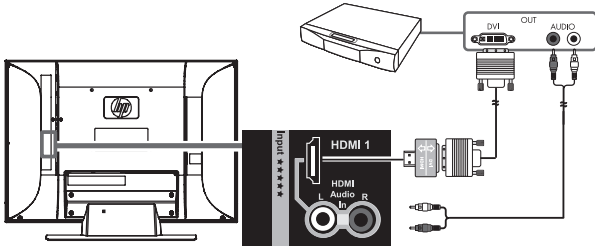


- 2 Connect the cable to the DVD player or source equipment.
- 3 Turn on the DVD player, and start play.
- 4 Connect power to the TV; see "Connecting power to the TV" on page 18.
- 5 Turn on the TV; see "Turning the TV On and Off" on page 19.
- 6 Select the input source to view, as well as the Picture Mode, Aspect, and other options; see "Operating the TV" on page 21.

Connecting a digital, high-definition DVD player or other equipment by using a DVI cable

The DVI-D cable, DVI-to-HDMI converter, and the audio cable are sold separately.

- 1 Connect a DVI-D cable and DVI-to-HDMI converter to HDMI 1 on the rear of the TV, and left-right audio cables to HDMI Audio In L and R.



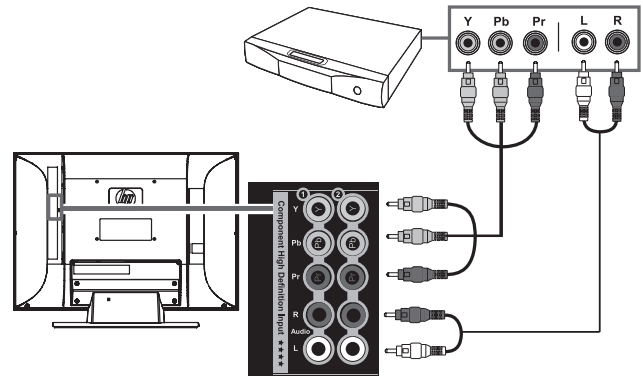
- 2 Connect the DVI cable to the DVI-D connector on the DVD player.
- 3 Connect the audio cable to the audio out connectors on the DVD player.
- 4 Turn on the DVD player, and start play.
- 5 Connect power to the TV; see "Connecting power to the TV" on page 18.
- 6 Turn on the TV; see "Turning the TV On and Off" on page 19.
- 7 Select the input source to view, as well as the Picture Mode, Aspect, and other options; see "Operating the TV" on page 21.

Connecting a high-definition DVD player or other equipment using component cables

There are two sets of high-definition Component connectors you can use:

- 1: Y, Pb, and Pr, and Audio L and R
- 2: Y, Pb, and Pr, and Audio L and R

- 1 Connect component video cables and left-right audio cables to the Component connectors on the rear of the TV.



- 2 Connect the cables to the DVD player.
- 3 Turn on the DVD player, and start play.
- 4 Connect power to the TV; see "Connecting power to the TV" on page 18.
- 5 Turn on the TV; see "Turning the TV On and Off" on page 19.
- 6 Select the input source to view, as well as the Picture Mode, Aspect, and other options; see "Operating the TV" on page 21.

Connecting a standard-definition DVD player or other equipment by using S-Video or Video cables

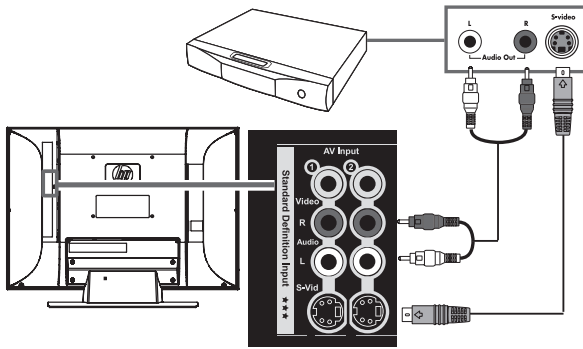
Connect a standard-definition DVD player, VCR, game console, camcorder, or other AV equipment by using S-Vid or Video (composite video) connectors. These connectors do not pass high-definition signals.

!

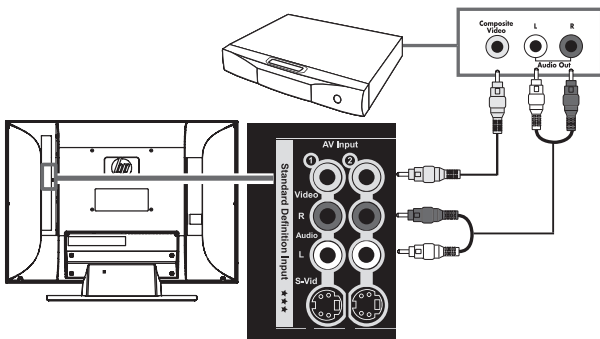
The S-Vid and Video connectors share the audio connectors in the set. Do not connect video cables to both the S-Vid and Video connectors in a set.

- 1 Connect an S-Video cable, or a composite video cable, by using the AV Input connector sets on the rear of the TV:
 - 1: S-Vid or Video, and Audio L and R
 - 2: S-Vid or Video, and Audio L and R

S-Vid connection



Video connection



- 2 Connect the video cable to the DVD player or other source equipment:
 - For a DVD player, VCR, DVR, or other source equipment that has a S-Video connector, use a S-Video cable.

Or

For a DVD player, VCR, DVR, or other source equipment that has a composite connector, use a composite cable.
- 3 Connect the audio cable to the left and right audio connectors on the TV for the connector set.

- 4 Connect the audio cables to the DVD player.
- 5 Turn on the DVD player, and start play.
- 6 Connect power to the TV; see "Connecting power to the TV" on page 18.
- 7 Turn on the TV; see "Turning the TV On and Off" on page 19.
- 8 Select the input source to view, as well as the Picture Mode, Aspect, and other options; see "Operating the TV" on page 21.

Connecting a VCR for recording

The TV does not output a signal for recording.

Connecting a PC

Use the following instructions when connecting a PC or other source equipment to the PC Input (VGA and Audio L/R) connectors on the rear of the TV. The PC Input is a selectable input source (PC in the source list). Cables are sold separately.



Refer to "PC Compatibility Chart" on page 50 for a list of PC signals compatible with the TV.

You can also connect a PC with a DVI connector:

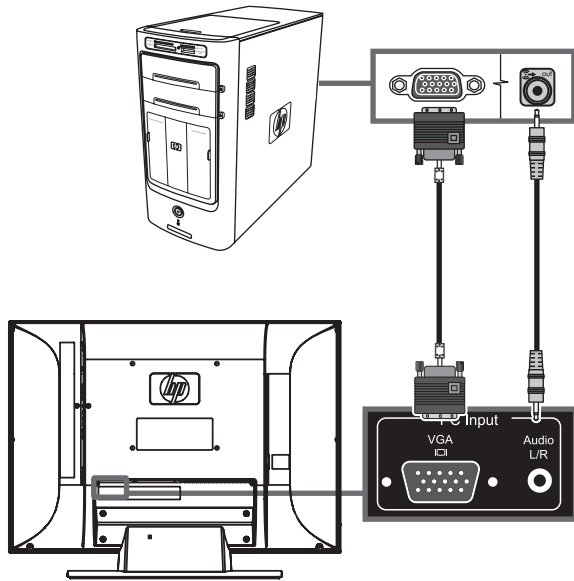
- For a PC with a DVI-D connector, connect a DVI-D cable and DVI-to-HDMI converter to HDMI 1, and left-right audio cables to HDMI Audio In L and R.
- For a PC with a DVI-I connector, connect a DVI-I cable and a DVI-to-VGA converter to the PC Input (VGA) connector and audio to the PC Input Audio L/R connector.

To connect a PC by using the PC Input connectors:



CAUTION: Unplug power for the TV and all connected components before connecting a PC. Ensure that the PC is powered off.

- 1 Connect the PC or source equipment video cable to the TV by using the PC Input (VGA) connector.



- 2 Connect the source equipment audio cable to the PC Input Audio L/R connector.
- 3 Connect the VGA and audio cables to the PC or source equipment.
- 4 Connect power to the TV; see "Connecting power to the TV" on page 18.
- 5 Turn on the TV; see "Turning the TV On and Off" on page 19.
- 6 Connect the power to, and turn on, the PC or source equipment.

- 7 Select the input source to view, as well as the Picture Mode, Aspect, and other options; see "Operating the TV" on page 21.

- 8 Adjust the picture, including Auto Sync, by using the onscreen display (OSD) Picture menu PC Screen option; see "Adjusting the PC Screen image" on page 31.

You can also start Auto Sync for the PC image by pressing the Select button on the TV.

Connecting an external sound system

You can connect an external sound system to the TV by using the Audio Output connectors for a digital audio or analog audio signal:

- Use an optical audio cable and the Audio Output Digital (Optical) connector on the rear of the TV to provide a digital audio signal to an external sound system, such as a digital receiver or a surround sound system.
- Use an audio cable and the Audio Output Left and Right connectors on the rear of the TV to provide an analog audio signal to an external sound system, such as an analog amplifier or stereo system.

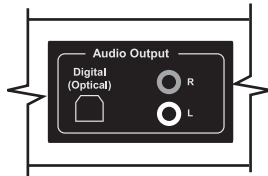
The input source signal and the Audio menu settings in the onscreen display determine the type of audio output. This TV does not support Dolby Digital audio input over HDMI. When connecting a set-top box, DVD player, or other device by means of the HDMI connector, set the device audio output to PCM format. See "Understanding audio output" on page 32 for information on the audio output type.



CAUTION: Unplug power for the TV and all connected components before connecting an external sound system. Ensure that the external sound system is powered off.

1 Connect the external sound system to the TV:

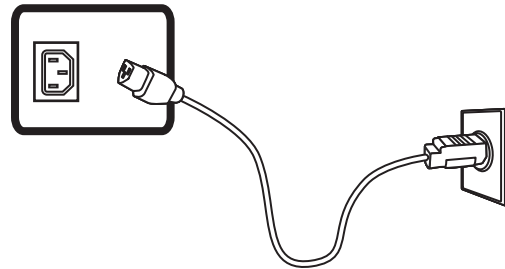
- For a digital connection, connect an optical audio cable to the Audio Output Digital (Optical) connector on the rear of the TV and to the external sound system, such as a digital receiver or a surround sound system.
- For an analog connection, connect an audio cable to the Audio Out L and R connectors on the rear of the TV and to the external sound system, such as an analog amplifier or stereo system.



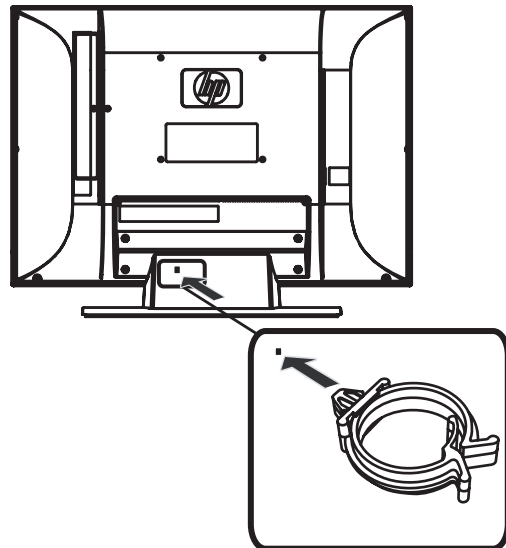
- 2** Connect power to the TV; see "Connecting power to the TV" on page 18.
- 3** Turn on the TV; see "Turning the TV On and Off" on page 19.
- 4** Connect power to, and turn on, the external sound system.
- 5** Define the digital audio format in the onscreen display Audio menu Digital Audio option; see "Choosing the digital audio output mode" on page 32.
- 6** If desired, you can turn off the TV speakers by using the onscreen display Audio menu Speakers option; see "Using the Audio Menu" on page 31.

Connecting power to the TV

- 1** Connect the AC power cord to the connector on the rear of the TV.



- 2** Connect the AC power cord into the AC power outlet.
- 3** Insert the cable clamp from the box into the square hole on the rear of the TV.



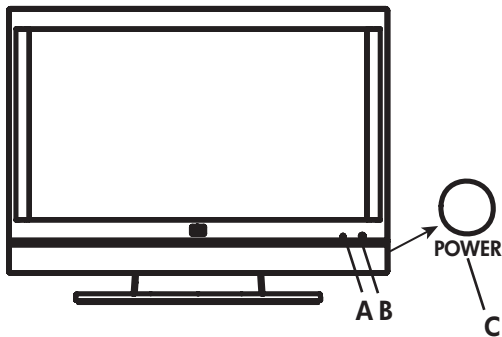
- 4** Route the cables through the cable clamp.

Turning On the TV

Turning the TV On and Off

The TV has a Power button on the right side of the panel. You can also use the Power button on the remote control to turn on the TV.

Pressing the Power button turns the TV either on or off.



- A Power light**
- B Remote control sensor**
- C Power button**

The Power light shows whether the TV is on or off.

Power light	TV status
Lights blue	TV is off but plugged into the power source
Lights amber	TV is powering on (light turns off after about 30 seconds)
Off	TV is on, or the AC power cord is disconnected
Flashing amber or flashing blue	Startup diagnostics are in progress or an error occurred

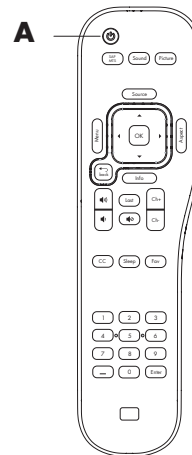


The initial setup starts when the TV powers on for the first time. If the TV has been turned on before, the Setup Wizard does not start. To start the Setup Wizard from the onscreen display (OSD) Setup menu, see "Starting the Setup Wizard" on page 41.

When you will not be using the TV for an extended period of time, press the Power button to turn off the TV, and then unplug the AC power cord.

Using the remote control to turn the TV on or off

Point the remote control at the remote control sensor on the front of the TV, and press the remote control Power button. The TV turns on or off.



A Remote Control Power button

Using the First-Time Setup Wizard

Initial Setup

When you turn on the TV for the first time, a first-time Setup Wizard guides you through the following tasks:

- Setting the onscreen display language.
- Setting the date, time, and time zone.
- Selecting a signal source.
- Searching the TV signal source (antenna or cable) and memorizing the available TV channels.

You can start the Setup Wizard by using the Setup menu in the onscreen display; see “Starting the Setup Wizard” on page 41.

Preparing

Complete the following steps before you press the Power button on the remote control:

- 1 Insert the batteries into the remote control.
- 2 Connect the signal source antenna or cable to the TV.
- 3 Plug in the AC power cord into the AC outlet.
- 4 Turn on the TV.

Setting the display language

- 1 Select from among three languages: **English**, **French**, and **Spanish**.
- 2 Press the up and down arrow buttons on the remote control to select the desired language, and then press the OK button.

Setting date, time, and time zone

- 1 Press the up and down arrow buttons on the remote control to highlight the date field.
- 2 Press the up and down arrow buttons on the remote control to enter a year, month, and day.
- 3 Press the down arrow button to highlight the time zone field.
- 4 Press the left and right arrow buttons to change the time zone.
- 5 Press the down button to highlight the time field, and press the number buttons to enter the time.
- 6 Press the left arrow button, and then press the down arrow button to change between AM and PM.

Setting the signal source

- 1 Press the up and down arrow buttons on the remote control to select **Antenna** or **Cable**.
- 2 Press the OK button to start searching for channels.

This channel search operation automatically searches for a signal from all available channels.

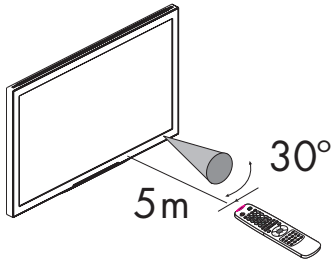


To view high-definition programming, you must have a high-definition signal source, such as an off-the-air high-definition antenna or cable HD signal, a cable or satellite provider HD set-top box, or a HD-DVD player, connected to the TV. All sources except a HD antenna or cable HD signal, must connect to one of the High Definition Input connector sets on the TV.

Operating the TV

Using the Remote Control

The remote control operates the TV. To use the remote control, point the remote control at the remote control sensor on the front of the TV.



Use the remote control within a distance of 16.4 feet (5 meters) from the front of the TV remote control sensor window, and within the maximum horizontal and vertical angles of 30 degrees.

Using universal remote controls

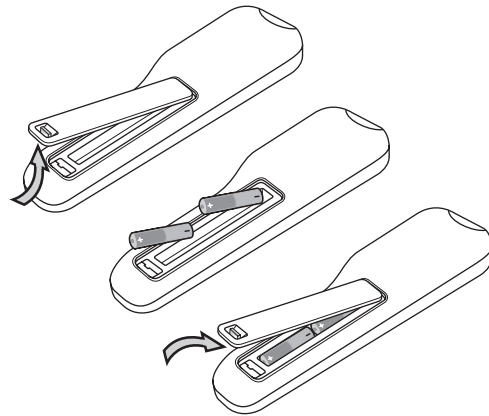
When you want to program a universal remote control to operate your HP TV, if HP is not listed in the supported brand codes, use a Philips TV code. The HP remote control transmits Philips-licensed remote control codes.

After programming your universal remote control with a Philips TV code, it can operate your HP TV functions for: volume, mute, power, and input source.

Installing or replacing remote control batteries

Insert two non-rechargeable AAA batteries into the remote control, ensuring that you place them with the proper polarity.

- 1 Press and open the cover on the rear of the remote control.
- 2 Insert the batteries into the remote control, and make sure that you match polarities.
- 3 Close the cover.



Do not mix together different types of batteries (for example, alkaline and carbon-zinc), or old batteries with fresh ones.

Be sure to follow the correct polarity when installing the batteries as indicated in the battery compartment. Reversed batteries may cause damage to the device.

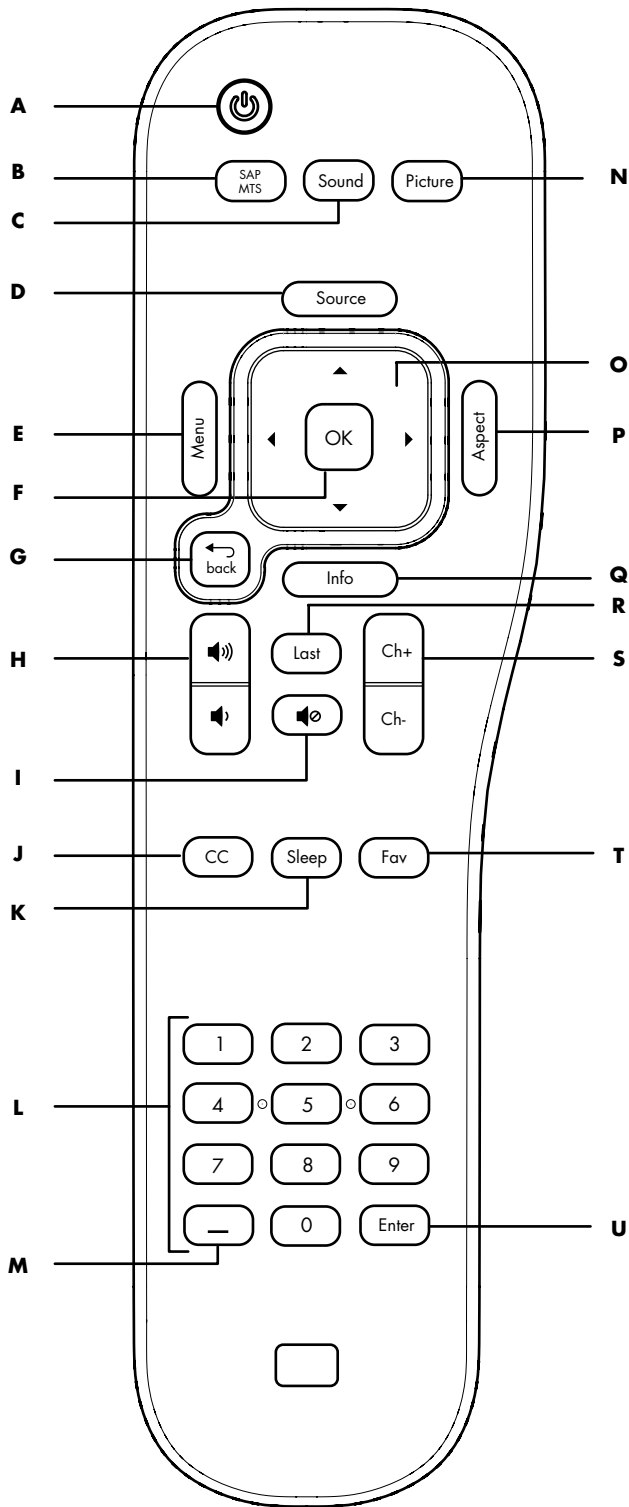
When not using the remote control for a long period of time, remove the batteries to prevent damage or injury from possible battery leakage.








Do not try to recharge batteries that are not intended to be recharged; they can overheat and rupture. Follow the battery manufacturer's directions for the batteries you are using.





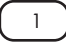




Always remove batteries as soon as they become weak. Weak batteries can leak and severely damage the unit. The battery life depends on how much the remote control is used. Replace the batteries when remote control operation becomes erratic.

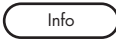

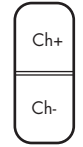
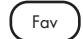

Do not take apart the batteries, heat them, or throw them into a fire.

Identifying the remote control buttons



Name	Description	Icon
A Power	Press Power to turn the TV on or off.	
B SAP/MTS	Press SAP/MTS to select from the available Secondary Audio Program (SAP) and Multi-channel Television Sound (MTS) options.	
C Sound	Press Sound to select an audio mode: Voice, Standard, Music, User.	
D Source	Press Source to open a list of the input sources. Press an arrow button (O) to select the input source to view, and then press OK (F). Or, press Source to close the list without changing the source.	
E Menu	Press Menu to open the onscreen display (OSD). Press Menu again to exit the menu and return to your TV display.	
F OK	Press OK to choose the highlighted menu option.	
G Back	Press Back to go back one level when a menu is displayed.	

Name	Description (Continued)	Icon
H Volume	Press a Volume button to increase (or decrease) the sound level.	
I Mute	Press Mute to turn sound off or on.	
J CC	Press CC to select a closed caption mode: Off, On, On Mute.	
K Sleep	Press Sleep to set the timer in this order: Off, 15, 30, 60, 120, or 150 minutes.	
L Numbers	Press the number buttons (0–9) to directly select channels, and then press Enter (U).	
M - (Dash)	Press - (dash) to enter a dash for a digital channel. For example, channel 14-2.	
N Picture	Press Picture to select a video mode: Standard, Movie, Vivid, User.	
O Up/down/left/right arrows	Press an arrow button to move the cursor in the menu screens.	
P Aspect	Press Aspect to select an option for the dimensions of the TV picture image: Auto, 16:9, 4:3, Zoom1, Zoom2, Panorama. The available options depend on the input source.	

Name	Description (Continued)	Icon
Q Info	Press Info to view a channel banner that contains information about the current program.	
R Last	Press Last to recall the previous channel that you viewed.	
S Ch+ Ch-	Press Ch+ (or Ch-) to select the next higher (or lower) channel.	
T Fav	Press Fav to view a list of your favorite channels. Press an arrow button (O) to select a channel from the list, and then press OK (F). To add a channel to the Fav list: View the channel, press Fav to open the list on an empty line (or, press an arrow to select an entry that you want to change), and then press Ch+ (S). The new channel is now in the Fav list.	
U Enter	Press Enter after entering a channel number.	

Adjusting the Volume

To increase or decrease the sound, press:

- The remote control Volume buttons.




Or

The TV Volume buttons. VOL

The indicator bar on the TV shows the increase or decrease.

Muting the sound

- 1 Press the Mute button on the remote control to temporarily turn off the sound. 
- 2 Press the Mute button again to restore the sound back to the previous level.

Changing the Picture Mode

Press the Picture button on the remote control to display the currently selected video mode. Keep pressing the Picture button until you reach the desired picture. The Picture modes are:

- **Standard:** Good for normal viewing conditions with low room lighting.
- **Movie:** Good for watching movies in a darkened room. Provides a soft, film-like picture.
- **Vivid:** Good for viewing in a well-lit room, enhances the contrast and sharpness.
- **User:** Displays the custom settings that you configured in the OSD. For more information about defining the picture settings, see "Using the Picture Menu" on page 30.

Changing Channels

To change to the next higher or lower channel, press:

- The remote control Ch+ or Ch- buttons.



Or

The TV Channel buttons. CH

To change to another channel, enter a one-digit, two-digit, or three-digit number, or press the channel up or down buttons.

To select a specific channel number (for example, channel 25), complete the following procedure within four seconds:

- 1 Press the 2 button on the remote control.
- 2 Press the 5 button.
- 3 Press Enter.

To select a specific digital channel number (for example, 14-2, complete the following procedure within four seconds):

- 1 Press the 1 button on the remote control.
- 2 Press the 4 button.
- 3 Press the – (dash) button.
- 4 Press the 2 button.
- 5 Press Enter.

Selecting the last channel

Press the Last button on the remote control to view the previous channel that you viewed.

Selecting a favorite channel

You can quickly select a favorite channel by using the Fav button on the remote control.

Press the Fav button on the remote control to view a list of your favorite channels. Press an arrow button to select a channel from the list, and then press OK.

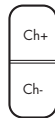
The first time you open the favorites list, or after using the Setup Wizard or Auto Scan in the onscreen display Channel menu, the Fav list is empty.

During the first-time Setup Wizard, or an Auto Scan, the TV searches for the TV antenna or cable signal sources, finds all the available channels, and adds them to the channel list. If you skipped or canceled during the initial setup, and have not run the Setup Wizard or the Auto Scan, there are no channels in the channel list. To be able to add channels to the favorites list, the channel must be in the channel list.

To add a channel to the Fav list:

If necessary, first run the Setup Wizard or Auto Scan in the Channel menu; see "Starting the Setup Wizard" on page 41 or see "Searching for channels" on page 33.

- 1 Press the Ch+ or Ch- buttons to select the channel to view.
- 2 Press the Fav button. The list of favorite channels opens on an empty line, if available.
- 3 Press Ch+ to use the empty line, or press an arrow button to select a favorite channel entry that you want to change, and then press Ch+. The current channel is now in the Fav list.




Displaying program information

Press the Info button on the remote control to display a banner with information about the program that you are currently viewing.



Sometimes the name of the program is not included in the broadcast. In that case, the program name is not displayed.

Selecting the Input Source

- 1 Press the Source button on the remote control, or on the TV, to open the list of input sources.
- 2 Press the up or down arrow button on the remote control, or press the Channel buttons on the TV, to select the input source to view. 
- 3 Press OK on the remote control, or press Select on the TV.

Or

Press the Source button again to close the list of input sources without changing the source.

The list of input sources identifies a connector set on the rear of the TV:

- **Antenna or Cable** is the ANT/Cable In connector. The label shows the scan source selection (Antenna or Cable) of the last channel scan performed by either the Setup Wizard or the Channel menu.
- **AV1** is the Standard Definition Input AV Input 1 connector set of S-Vid or Video.
- **AV2** is the Standard Definition Input AV Input 2 connector set of S-Vid or Video.
- **Component 1** is the Component High Definition Input 1 connector set.
- **Component 2** is the Component High Definition Input 2 connector set.
- **PC** is the PC Input (VGA) connector set.
- **HDMI 1** is the Digital High Definition Input connector HDMI 1.
- **HDMI 2** is the Digital High Definition Input connector HDMI 2.
- **HDMI 3** is the Digital High Definition Input connector HDMI 3 (select models only).

You can change all the labels except Antenna (or Cable). Use the onscreen display Setup menu Input Labels option to change the label in the source list; see "Changing the Input Labels" on page 41.

Changing the View by Using the Aspect Button

Press the Aspect button on the remote control to select an option for the dimensions of the TV picture image. The options that are available for selection depend on the current input source.

Input signal	TV image (Aspect)				
	4:3	16:9	Zoom1	Zoom2	Panorama
4:3					
16:9					Not available

The Aspect options are:

- **Auto** automatically shows the correct aspect ratio, based on the content.
- **16:9** shows widescreen TV in its recorded format, or stretches a 4:3 ratio image to fit the screen with no center aspect correction.
- **4:3** shows the standard 4:3 ratio image in the center of the TV, with dark bars on the left and right of the screen, or horizontally shrinks widescreen pictures.
- **Zoom1** stretches the image vertically. Suitable for stretching widescreen DVD movies to reduce or eliminate horizontal dark stripes at the top and bottom of the screen.
- **Zoom2** stretches the image both vertically and horizontally, and may clip the top, bottom, and sides of the image.
- **Panorama** stretches the picture horizontally, if necessary, to fill the screen; the center of the screen has aspect correction. Suitable for stretching a normal 4:3 ratio image to fill the screen.



When the input source is HDMI, the Panorama mode is not available. When the input source is PC, the Zoom1, Zoom2, and Panorama modes are not available.



Some stations transmit Standard-definition programming directly in 16:9 aspect ratio so that the image has embedded dark side bars. For that type of input signal, the Panorama mode is not available, and the Zoom1 and Zoom2 modes do not eliminate the side bars.

Use the onscreen display Picture menu option Aspect Ratio to set the default aspect; see "Using the Picture Menu" on page 30.

Turning On Captions

Press the CC button on the remote control to select the caption option:

- **On:** Turns on captions.
- **Off:** Turns off captions.
- **On Mute:** Displays captions while the sound is muted (the Mute button is pressed).

To assign your preferences for captions, see “Using the Caption (Closed Caption) Menu” on page 40.

Setting the SAP/MTS stereo mode

Press the SAP/MTS button on the remote control to show the currently selected Secondary Audio Programs (SAP)/Multi-channel Television Sound (MTS) option. Keep pressing the button to view the available options.

SAP receives mono sound, stereo sound, and Secondary Audio Programs. The MTS feature enables a TV station to broadcast other information, such as another language or weather information.

For analog channels, the SAP/MTS options are Stereo, Mono, and SAP (when available). For Digital channels, the SAP/MTS options are English, French, and Spanish (when available).

You can enjoy hi-fi stereo sound or SAP broadcasts where available:

- **Stereo broadcasts:** Hear programs such as live sporting events, shows, and concerts in dynamic stereo sound.
- **SAP broadcasts:** Select to hear either Main or SAP sound:
 - **Main sound:** Listen to the normal program sound track in either mono or stereo sound.
 - **SAP sound:** Listen to a second language, supplementary commentary, and other information in mono sound.

If stereo sound is difficult to hear, you may obtain a clearer sound by manually switching to fixed mono-sound mode.



MTS operates only while the TV is in TV mode.

Changing the Audio Mode

Press the Sound button on the remote control to display the currently selected audio mode. Keep pressing the Sound button until you reach the desired sound.

For more information about the audio mode and adjusting the User option, see “Adjusting the audio” on page 31.

Setting the Sleep Timer

Press the Sleep button on the remote control to start a timer to automatically turn off the TV. Keep pressing the Sleep button until you reach the desired time.

Setting the Sleep Timer to 30 means your TV automatically turns off in 30 minutes.

Minutes	Description
15	Sets the timer to 15 minutes.
30	Sets the timer to 30 minutes.
60	Sets the timer to 60 minutes.
120	Sets the timer to 120 minutes.
150	Sets the timer to 150 minutes.
Off	Turns off the sleep timer.

Adjusting the TV Settings

Use the onscreen display to adjust the picture, audio, and other settings. For more information, see "Using the OSD Menus" on page 29.

Opening and closing the OSD

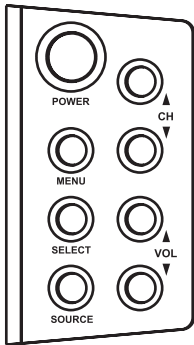
Press the Menu button on the remote control, or on the TV, to display the OSD menu. Press the Menu button again to close the current menu and return to the TV display. Within a submenu, pressing the Back button on the remote control, or the Source button on the TV, takes you back one menu level.

Changing the TV Settings

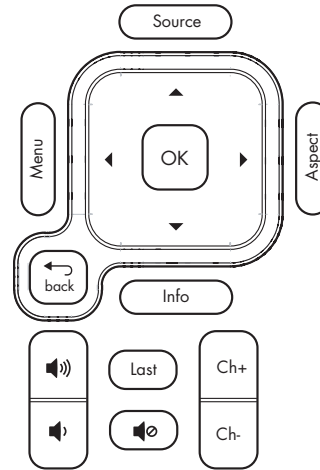
You can change the TV settings by using the onscreen display (OSD) menus.

Using the OSD Menus

To operate the OSD menus, use the buttons on the TV, or on the remote control, to highlight, adjust, and enter items, as described in this section.



TV (side)	Description
MENU	Menu opens (or closes) the OSD.
SELECT	Select selects the highlighted item in the OSD.
SOURCE	Source selects the input source. Press Source to open the list of input sources. Press the Channel (CH) buttons to select the input source to view, and then press Select. Press Source to close the list. Select the input source before you open the OSD. In an OSD menu, this button functions as the Back button to move up one item or menu level.
▲ CH ▼	Channel buttons move up or down in the menu.
▲ VOL ▼	Volume buttons move right or left in the menu, or adjust an item.



Remote control	Description
Menu	Menu opens (or closes) the OSD.
OK	OK selects the highlighted item in the OSD.
▲ ◀ ◻ ▶ ▼	Arrow buttons move up, down, left, or right in the menus.
🔊 🔊	Volume buttons adjust the sound level or an item.
Ch+ Ch-	Channel buttons move the channel up or down.
Source	Source selects the input source. Press Source to open the list of the input sources. Press the arrow button to select the input source to view, and then press OK. Select the input source before you open the OSD.
↶ back	Back moves up one item or menu level.

You operate the OSD menus by using the buttons on the remote control or the TV; refer to the previous tables for descriptions of the buttons.

- 1 Press the Source button to select the input signal source for the TV. The OSD menus and options that you see depend on the current input source.
- 2 Press the Menu button to open the OSD. The available menus appear as a list.
- 3 Press the direction buttons (the arrow buttons on the remote control, or the Channel and Volume buttons on the TV) to highlight the menu that you want, and then press the OK button on the remote control, or the Select button on the TV.
- 4 Press the direction buttons to move within the menu and highlight an option, and then press the OK button on the remote control, or the Select button on the TV, to move into the option.
- 5 Continue using the direction buttons to highlight and adjust an item, and the OK button or the Select button to enter the change. To move out of an option, or to move up one menu level, press the Back button on the remote control, or the Source button on the TV.
- 6 When you are finished, press the Menu button to close the OSD.

The OSD menus are:

- Picture
- Audio
- Channel
- Parental (Control)
- Setup (including Closed Caption)
- SimpleMenu/Full Menu

Note that SimpleMenu appears in the menu list when the full list of menu items is displayed. Select **SimpleMenu** to view a reduced menu that shows only the most frequently used menu items. (When you do so, Full Menu appears in the menu list. Select it to again display the full list of menu items.)

In the following topics, a table lists each OSD menu and the available options.

Using the Picture Menu

The Picture menu controls the look of the image on the screen for the selected input source. For example, when you adjust Brightness, the screen image changes as you adjust the scale.

Because the Picture menu maintains settings for each input, select (view) the input source, and then make Picture menu changes.

The following table shows the Picture menu for an AV source. When a PC is the input source, use the Picture Screen menu to adjust the picture settings, including Auto Sync.

Picture menu	Options
Mode	Vivid/Standard/Movie/User User mode options are: <ul style="list-style-type: none"> ■ Brightness ■ Contrast ■ Saturation ■ Hue ■ Sharpness
Color Temperature	Cool/Standard/Warm
Aspect Ratio	Auto/16:9/4:3/Zoom 1/Zoom 2/Panorama
Picture Screen	<ul style="list-style-type: none"> ■ H Size (horizontal size) ■ H Position (horizontal position) ■ V Size (vertical size) ■ V Position (vertical position) ■ Phase Adjust ■ Clock Adjust ■ Auto Sync ■ Default

Adjusting the picture image

Adjusting the AV picture image

The following options adjust the AV picture image that you are watching, so select the correct AV input source before you change the values.

- **Mode** sets the picture adjustments to preset values of **Standard**, **Movie**, **Vivid**, or **User**. User mode enables individual adjustment of:
 - **Brightness**: Sets the image brightness.
 - **Contrast**: Sets the image contrast.
 - **Saturation**: Sets the image color intensity.
 - **Hue**: Sets image tones; decrease the value to make tones more red, or increase it to make tones more blue.
 - **Sharpness**: Sets the image sharpness.
- **Color Temperature** selects different color temperature settings: **Cool**, **Standard**, and **Warm**.
- **Aspect Ratio** sets the default dimensions of the TV picture image. For more information, see “Changing the View by Using the Aspect Button” on page 26.
- **Picture Screen** provides options to adjust the image from the PC Input connector. See “Adjusting the PC Screen image” on page 31.

Adjusting the PC Screen image

The following options adjust the image from the PC Input connector; the Picture Screen menu is not available if a PC is not connected:

- **H Size** adjusts the horizontal size of the image.
- **H Position** adjusts the horizontal position of the image.
- **V Size** adjusts the vertical size of the image.
- **V Position** adjusts the vertical position of the image.
- **Phase Adjust** adjusts the phase of the clock used to synchronize the image.
- **Clock Adjust** adjusts the clock used to synchronize the image.
- **Auto Sync** button starts automatic synchronization of the image.
- **Default** button resets all Picture Screen menu options to the default values.

Using the Audio Menu

The Audio menu sets the sound levels, the mode for the digital audio output signal, and sound items.

Audio menu	Options
Mode	Voice/Standard/Music/User User mode options are: <ul style="list-style-type: none">■ Treble■ Bass
Balance	(Left-to-right sound adjustment)
Auto Volume	On/Off
SAP/MTS	<ul style="list-style-type: none">■ Mono/Stereo/SAP■ English/French/Spanish
Digital Audio	Dolby Digital/PCM
Virtual Surround	Off/Theater/Music Hall
Speaker	On/Off

Adjusting the audio

- **Mode** sets the audio adjustments to preset values of **Voice**, **Standard**, or **Music**, or to **User**. User mode enables individual adjustment of the treble and bass values.
- **Balance** sets the distribution of sound between the speakers.
- **Auto Volume** turns automatic volume adjustment on or off.
- **SAP/MTS** selects the default mode and language for secondary audio programs. See “Setting the SAP/MTS stereo mode” on page 27.
- **Digital Audio** sets the mode for the signal provided on the digital audio output connector. See “Choosing the digital audio output mode” on page 32.
- **Virtual Surround** selects an option for emulated surround sound from the TV speakers. “Selecting virtual surround sound” on page 32.
- **Speaker** turns the TV speakers on or off. You may want to turn off the TV speakers when you connect an optional external sound system. Refer to “Understanding audio output” on page 32.

Choosing the digital audio output mode

You must be watching a digital TV channel to access the Audio menu Digital Audio option. This option sets the format for the signal provided on the Digital (Optical) Audio Output connector on the rear of the TV: Dolby Digital or PCM. Select **PCM** if your external digital audio system does not support surround sound. See "Understanding audio output" on page 32.

Selecting virtual surround sound

You can enjoy emulated surround sound from the TV speakers. To do so, in the Audio menu Virtual Surround option select the mode that you want to hear: **Theater** or **Music Hall**.

Understanding audio output

The input source signal and the Audio menu settings for Digital Audio and Speaker determine the type of audio output that you hear at the speakers, or at the external sound system connected to the TV.

For example, if you connect an external sound system by using the Digital (Optical) connector, you hear digital sound from the connected external audio system when you watch a digital TV program. The format of digital signal that the TV provides depends on the Digital Audio setting (Dolby Digital or PCM).

This TV does not support Dolby Digital audio input over HDMI. When connecting a set-top box, DVD player, or other device by means of HDMI, set the device audio output to PCM format.

The following table shows the audio output dependencies and the resulting output.

Input source	Audio output at TV speakers (Audio menu/ Speaker: On)	Audio output at Digital (Optical) connector: (Audio menu/Digital Audio)	Audio output at Analog L and R connectors
TV tuner, analog channel	Stereo 2-channel	PCM	Stereo 2-channel
TV tuner, digital channel	Stereo 2-channel	PCM or Dolby Digital	Stereo 2-channel
HDMI, PCM format	Stereo 2-channel	None	Stereo 2-channel
HDMI, Dolby Digital format	None	None	None
Component	Stereo 2-channel	PCM	Stereo 2-channel
AV (S-Video or Video)	Stereo 2-channel	PCM	Stereo 2-channel
PC Audio	Stereo 2-channel	PCM	Stereo 2-channel

Using the Channel Menu

If you skipped the Setup Wizard, or if the initial setup did not find all the available channels, use the Channel menu to automatically scan and find the channels. The scan continues until every channel is either found or confirmed as no signal.

Use this menu to edit the program channel list to skip a channel when you use the Channel buttons on the remote control or the TV.

Channel menu	Options
Auto Scan	Antenna/Cable
Channel List	Show/Hide
Signal Strength	Shows the signal strength of a digital channel as a bar graph.

Searching for channels

In the Auto Scan menu, start an automatic search for channels by selecting the scan source **Antenna** or **Cable**, and then pressing the OK button. Next, select **Yes** and press OK to begin the channel scan.

The scan continues until every channel is either found or confirmed as no signal. You can stop the search by choosing the **Cancel** button on the screen, and then pressing the OK or Back button on the remote control.

Editing the channel listing

Use the Channel List menu to edit the program channel list to skip (hide) a channel when you use the Channel buttons on the remote control or the TV.

To edit the channel listing to skip a channel:

- 1 In the Channel menu, press the arrow buttons to select **Channel List**, and then press OK.
- 2 Press the arrow buttons to select the channel. You can press a Channel (CH) button to move one page forward or backward in the listing.
- 3 Press OK. The TV tunes to the channel.

- 4 Press the Sleep button. The channel listing for the channel now lists the channel as Hide, and the channel is skipped when you select the channel by using the Channel buttons.

To edit the channel listing to show a channel that is currently hidden, complete the same procedure selecting a hidden channel and pressing the Sleep button to show it.

Using the Parental (Control) Menu

The Parental (Control) menu enables and defines parental controls for TV and movies. Use it to select a password, and set the values for parental controls by TV rating, TV content, and movie ratings.

Parental menu	Options
Change Password	<ul style="list-style-type: none">■ Password■ Confirm Password
Enable	On/Off
MPPAA (movie ratings by the Motion Picture Association of America)	<ul style="list-style-type: none">■ G■ PG■ PG-13■ R■ NC-17■ X■ NR
US TV Rating	Table of age-based guidelines and content values
Canadian English	<ul style="list-style-type: none">■ E■ C■ C8+■ G■ PG■ 14+■ 18+

Parental menu	Options (Continued)
Canadian French	<ul style="list-style-type: none"> ■ E ■ G ■ 8ans + ■ 13ans + ■ 16ans + ■ 18ans +

Using the Password

The Parental (Control) menu enables you to use a password to protect certain settings from being accidentally changed.



IMPORTANT: The following conditions must be met to enable parental controls:

- Password is set.
- Rating settings have been made.

Enter the password when prompted.

Setting a password

- 1 In the main OSD menu select **Parental** (Control) and then press the OK button. (If a password was previously set, enter the password when prompted.)
- 2 Select **Change Password**, and then press OK.
- 3 Enter a (new) four-digit password number by using the 0–9 buttons on the remote control. Enter the same digits for Confirm Password, and then press OK.



As a precautionary measure, write down your password and keep it in a familiar place.

In the Parental (Control) menu, select **Enable**, press OK, select **On**, and then press OK. You can now access the other menus and set the parental controls. See “Setting Parental Controls” on page 34.



IMPORTANT: If you lose or forget your password, enter the Master Password: MTS, 4, 8, 1

Setting Parental Controls

The parental controls use a V-Chip, which is an electronic filtering device built into your TV. This tool gives parents a high degree of control over the broadcasts that their children can access. It enables parents to allow those programs that are judged suitable for child viewing, while blocking those that are judged not suitable. It does this automatically, once you select a password and set the values for parental controls.

The U.S. has two rating systems for viewing content: TV Parental Guidelines (US TV Rating) and movie ratings:

- The TV Parental Guidelines help parents screen out television shows that are unsuitable for their children to view.
- Movie ratings are used for original movies rated by the Motion Picture Association of America (MPAA) that are aired on cable TV and not edited for television. Options can also be set to block MPAA-rated movies.

Voluntary movie rating system (MPAA)

In the Parental (Control) menu, highlight **MPAA**, and then press OK. Adjust the item.

The setting automatically blocks any program with ratings that are higher than your selection.

MPAA rating		Description
Age	G	General audiences. All ages admitted.
	PG	Parental guidance suggested. Some material may not be suitable for children.
	PG-13	Parents strongly cautioned. Some material may be inappropriate for children under 13.
	R	Restricted. Under 17 requires accompanying parent or adult guardian (age varies in some jurisdictions).
	NC-17	No one 17 and under admitted.
	X	X is an older rating that is unified with NC-17 but may be encoded in the data of older movies.
	NR	Not rated.

Example:

If you select **PG-13**, this also automatically blocks the higher ratings R, NC-17, and X.



The voluntary movie rating system uses only an age-based rating.

US TV Rating

In the Parental (Control) menu, highlight **US TV Rating**, and then press OK. Adjust the item.

The setting automatically blocks any ratings that are higher than your selection.

You can set an individual content-based rating item.

TV rating		Content				
		FV (Fantasy violence)	S (Sexual situation)	L (Adult language)	V (Violence)	D (Sexually suggestive dialogue)
Suggested Age	TV-Y (All children)					
	TV-Y7 (Directed to older children)	Rating can be set.				
	TV-G (General audience)					
	TV-PG (Parental guidance suggested)		Rating can be set.	Rating can be set.	Rating can be set.	Rating can be set.
	TV-14 (Parents strongly cautioned)		Rating can be set.	Rating can be set.	Rating can be set.	Rating can be set.
	TV-MA (Mature audience only)		Rating can be set.	Rating can be set.	Rating can be set.	

Canadian rating systems

The TV rating systems in Canada are based on the Canadian Radio-Television and Telecommunications Commission (CRTC) policy on violence in television programming.

While violence is the most important content element to be rated, the rating also takes into consideration other program content, such as language, nudity, sexuality, and mature themes.

When setting controls on the Canadian rating systems, you can choose either the Canadian English ratings or the Canadian French ratings.

Canadian English ratings

Rating		Canadian English rating description
Age	E	Exempt: Includes news, sports, documentaries, and other information programming.
	C	Children: Intended for younger children under the age of 8 years. Pays careful attention to themes that could threaten their sense of security and well-being.
	C8+	Children over 8 years old: Contains no portrayal of violence as the preferred, acceptable, or only way to resolve conflict; does not encourage children to imitate dangerous acts that they may see on the screen.
	G	General: Considered acceptable for all age groups. Appropriate viewing for the entire family; contains very little violence — physical, verbal, or emotional.
	PG	Parental guidance: Intended for a general audience, but may not be suitable for younger children (under the age of 8), because it could contain controversial themes or issues.
	14+	Over 14 years: Could contain themes where violence is one of the dominant elements of the storyline, but it must be integral to the development of plot or character. Language usage could be profane and nudity present within the context of the theme.
	18+	Adults: Intended for viewers 18 years and older, and might contain depictions of violence, which, while related to the development of plot, character, or themes, are intended for adult viewing. Could contain graphic language and portrayals of sex and nudity.

Canadian French rating

Rating		Canadian French rating description
Age	E	Exempt programming.
	G	General: All ages and children; contains minimal direct violence, but may be integrated into the plot in a humorous or unrealistic manner.
	8ans +	General but inadvisable for young children: May be viewed by a wide public audience, but could contain scenes disturbing to children under 8 who cannot distinguish between imaginary and real situations. Recommended for viewing with parent.
	13ans +	Over 13 years: Could contain frequent violent scenes and therefore recommended for viewing with parent.
	16ans +	Over 16 years: Could contain frequent violent scenes and intense violence.
	18ans +	Over 18 years: Only for adult viewing. Could contain frequent violent scenes and extreme violence.

Temporarily releasing a blocked program

When the parental controls rating blocks a program, a message displays.

To release a blocked program:

- 1 Press OK. The password setting menu displays.
- 2 Enter your four-digit password to temporarily release the program block.

Reactivating parental controls after a temporary release

You can reactivate the parental controls for a temporarily released program by using either of the following:

- In the Parental (Control) menu, select the rating setting (**MPAA**, **US TV Rating**, **Canadian English**, or **Canadian French**).
- Switch off the TV power.

Using the Setup Menu

You can use the Setup menu to set time and closed caption options, select the language for the OSD menus, start the Setup Wizard, turn OSD settings to default values, and to change the input labels for the Source list.

Setup menu	Options
Time	<ul style="list-style-type: none"> ■ Clock Mode: Auto/Manual ■ Clock Set ■ Time Zone (for Auto mode only) ■ Daylight Saving (for Auto mode only) ■ Sleep Timer: Off/15 min/30 min/60 min/120 min/150 min
Caption (closed caption)	<ul style="list-style-type: none"> ■ Mode ■ Service Analog ■ Service Digital ■ Style
OSD Language	English/French/Spanish
Setup Wizard	Start
Input Labels	<selection>
Default Settings	Press OK to recover all settings to default values.

Using the Time Menu

The Time menu sets the mode for the date and time, it and sets the sleep timer.

Time menu	Options
Clock Mode	Auto/Manual
Clock Set	<ul style="list-style-type: none"> ■ Month, Day, Year ■ Hour, Min, AM/PM
Time Zone (for Auto mode only)	NST/AST/EST/CST/MST/PST/AKST/HST
Daylight Savings (for Auto mode only)	On/Off
Sleep Timer	Off/15 min/30 min/60 min/120 min/150 min

- **Clock Mode** sets the clock mode to Auto or Manual. You set the initial date and time for the TV during the Setup Wizard, or in this menu by selecting the **Manual** Clock Mode, and then pressing the OK button.
- **Clock Set** sets the date and time for Manual clock mode only. To change between AM and PM, press the left arrow button, and then press the down arrow button.
- **Time Zone** sets the time zone for Auto clock mode, such as Central Standard Time (CST) or Pacific Standard Time (PST)
- **Daylight Savings** sets an option for the Auto Clock Mode.
- **Sleep Timer** sets the minutes before the TV turns off. You can also set the sleep timer by using the Sleep button on the remote control.

Using the Caption (Closed Caption) Menu

Caption menu

You can use the Caption (Closed Caption) menu to turn captioning on or off, and to select options. You can also turn captioning on or off using the CC button on the remote control.

Caption (Closed Caption) menu	Options
Mode	Off/On/On Mute
Service Analog	<ul style="list-style-type: none"> ■ CC1/CC2/CC3/CC4 ■ Text1/Text2/Text3/Text4
Service Digital	Service1/Service2/Service3/Service4/Service5/Service6
Style	<ul style="list-style-type: none"> ■ Font Style ■ Font Size ■ FG (Foreground) Color ■ BG (Background) Color ■ FG (Foreground) Opacity ■ BG (Background) Opacity ■ Edge Style

Your TV is equipped with an internal closed caption decoder that enables you to view conversations, narration, and sound effects as subtitles on your TV. Closed captions are available on some TV programs, and on some VHS home video tapes, at the election of the program provider.

Digital Closed Caption is a caption service available only on digital TV programs (also at the election of the program provider). It is a more flexible system than the original closed caption system, because it allows a variety of font sizes and styles in the captions. When the Digital Closed Caption service is in use, it is indicated by a three-letter abbreviation that also

indicates the language of the Digital Closed Captions: ENG (English), SPA (Spanish), FRA (French), or other language codes.

Not all programs and VHS videotapes offer closed captioning. Look for the symbol to ensure that captions appear.



If the signal source equipment is connected to the TV at an HDMI or a component video connection, closed caption information may not always be available, because the source equipment may not pass the information to the TV across these connectors.

In the closed caption system, more than one caption service can be provided. Each is identified by its own number. CC1 through CC4 services display subtitles of TV programs superimposed over the program picture.

The Text1 through Text4 services display text that is unrelated to the program being viewed, such as weather or news. These services are also superimposed over the program currently being viewed.

- Depending on the number of caption services in the signal being received, you will see information such as 1/2 or 1/4 displayed. 1/2 means "the first of two services."

Example: If a program has three services (Digital CC(ENG), CC1, and Text1), the closed caption display toggles in sequence.

- The CC button stores in memory a record of the last service selected. If the last closed caption mode that you selected is not available for the next program, or on another channel, the closed caption service that is available is automatically selected, and this service appears in parentheses. Closed caption services that appear in parentheses are not retained in the CC button memory as your last selected service. Only services that you have selected with the CC button are retained.



If the program contains no closed caption, "--" displays in the closed caption information.

If the language code, such as ENG, is not found on a digital TV programs, "--" displays.

All types of closed caption service (CC1, Text1, and so on) are potentially available, but a broadcast may contain none or only some of these services, at the election of the program provider.

The defaults for closed caption may be specified by the broadcasting station.

Using the Style option

The Style option sets the appearance of closed caption text:

- **Font Size** sets the caption size: Small, Standard, Large.
- **Font Style** sets a preset or user-defined caption style.
- **FG (Foreground) Color** sets the text color.
- **BG (Background) Color** sets the background color.
- **FG (Foreground) Opacity** sets the text opacity.
- **BG (Background) Opacity** sets the background opacity.
- **Edge Style** sets a preset edge style.

Selecting the OSD Language

You can use the OSD Language option to set the language for the onscreen display.

Starting the Setup Wizard

You can start the Setup Wizard to be guided to select the OSD language, the date and time, the TV signal source (antenna or cable), and scan for the available TV channels.

In the Setup Wizard menu, select **Start**, and then press the OK button.

Changing the Input Labels

You can use the Input Labels option to change all the input labels, except Antenna (or Cable), that appear when you press the Source button on the remote control or the TV.

The list of input sources identifies a connector set on the rear of the TV:

- **Antenna or Cable** is the ANT/Cable In connector. The label shows the scan source selection (Antenna or Cable) of the last channel scan performed by either the Setup Wizard or the Channel menu. This label cannot be changed.
- **AV1** is the Standard Definition Input AV Input 1 connector set of S-Vid or Video.
- **AV2** is the Standard Definition Input AV Input 2 connector set of S-Vid or Video.
- **Component 1** is the Component High Definition Input 1 connector set.
- **Component 2** is the Component High Definition Input 2 connector set.
- **PC** is the PC Input (VGA) connector set.
- **HDMI 1** is the Digital High Definition Input connector HDMI 1.
- **HDMI 2** is the Digital High Definition Input connector HDMI 2.
- **HDMI 3** is the Digital High Definition Input connector HDMI 3 (select models only).

The input labels that you can assign are:

- Default (original input label)
- AVR
- DVD
- PVR
- Cable
- DEC
- Aux
- SAT
- VCR

To change an input label by using the remote control:

- 1** Press the Menu button to open the OSD. The available menus appear as a list.
- 2** Press the down arrow button to highlight the **Setup** menu, and then press the OK button.
- 3** Press the down arrow button to move within the menu and highlight the **Input Labels** option, and then press OK to move into the option.
- 4** Press the down arrow button to highlight the input source that you want to change, and then press the right arrow button. Press the down arrow button to select the new label, and then press OK to enter the change.
- 5** When you are finished, press the Menu button to close the OSD.

Returning to Default Settings

You can use the Default Settings menu to return all settings, including the input labels, to the default value. Select **Default Settings**, and then press the OK button.

This option does not reset the channels in the Fav and the channel list. These items are cleared only when you run a new channel scan.

Finding Answers to Questions

Understanding TV Terms

What are analog TV, digital TV, and high-definition TV (HDTV)?

Devices such as monitors, tuners, and integrated monitor/tuner combinations are designed to handle any of the 18 formats officially sanctioned by the industry-led standard setting, Advanced Television Systems Committee (ATSC), for the *digital* transmission of video signals. There are three subgroups of digital televisions depending on their capabilities: high-definition (HDTV), enhanced-definition (EDTV), and standard-definition (SDTV).

In contrast, U.S. *analog* television has been available for over 50 years in the single National Television Standards Committee (NTSC) format. This is the signal format that has been broadcast over the air and through cable systems. NTSC television offers slightly more than 480 interlaced lines of resolution.

To high-definition programming, your TV must receive high-definition signals by means of a high-definition signal source connected to the television. The source can be an off-the-air high-definition antenna or cable HD signal, or a HD source, such as a cable or satellite provider HD set-top box, a HD-DVD player, and so on. All sources except a HD antenna or cable HD signal, must connect to one of the High Definition Input connector sets on the rear of the TV. Your cable or satellite provider may require additional purchase for high-definition programming; off-the-air high-definition broadcasts may not be available in all areas.

What is the difference between progressive and interlaced signal formats for digital TVs?

There are 18 standard digital TV signal formats. Each provides a different picture quality. The names of these digital TV formats consist of a number followed by either p (progressive) or i (interlaced). The letter refers to the way the TV uses the signals to create the picture:

- Progressive (p) scanning presents all the horizontal lines of the picture in one frame. This provides a sharper picture to the eye, and looks much better than an interlaced image of the same resolution.
- Interlaced (i) means that the picture appears in two segments; every other horizontal line of the picture is displayed in one frame, and the other half of the horizontal lines are displayed in the next frame. This works because it happens so fast that the eye is deceived into believing that only one picture is being shown.

The number in the names of the formats refers to the number of lines of resolution. Generally speaking, the higher the number, the better the picture. For example, with digital TV (DTV), there are two progressive formats for broadcasters to choose from: 480p and 720p. 480p has 480 horizontal scan lines. Although the 480p image is much sharper than a regular TV broadcast, it is considered only a DTV signal and not a true high-definition signal. 720p has 720 horizontal scan lines and is considered to be true HDTV. 720p can rival a 1080i picture, in which 1080 horizontal scan lines are displayed as an interlaced image. The sharper and more accurate (progressive) 720p picture looks better, even though a 1080i picture has many more scan lines and a much higher resolution.

What is variable aspect ratio?

The *aspect ratio* describes the relationship of screen width to screen height. Standard TV signals are based on an aspect ratio of 4:3 (four units wide by three units high). HDTV signals are based on an aspect ratio of 16:9, making the image 33 percent wider than a normal TV, and enabling you to view TV and movies as if you were watching them in a theater.

In addition, many DVD movies look better on the widescreen display, because most of the movies made in the last 50 years were filmed in an aspect ratio of either 1.85:1 (very close to 16:9, which is equal to 1.78:1) or 2.35:1 (even wider than 16:9).

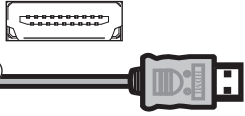
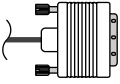
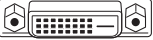

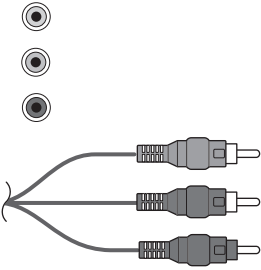



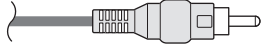
Variable aspect ratio support enables the scaling of 4:3 and anamorphic video so that the image fills the screen.

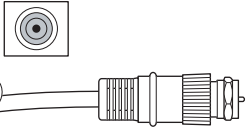
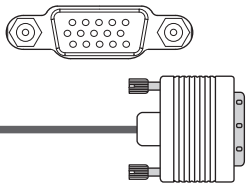
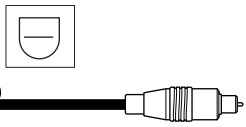
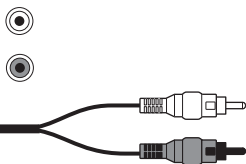

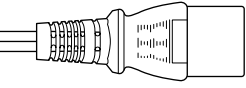
What is HDMI?

High-Definition Multimedia Interface (HDMI) is the first industry-supported, uncompressed, all-digital audio/video interface. HDMI components can transmit both digital audio and video over a single cable, with improved quality over traditional analog connections because of an all-digital transmission. Transferring digital sources such as DVDs and HDTV programming can now be accomplished without analog conversions that can degrade the original signal.

Identifying Cable Usage

The following table lists all of the cable types that are available for the TV. It shows a side view of each, along with its connector.

Cable type/ connection	Description
<p>HDMI</p> 	<p>Capable of transmitting both uncompressed digital audio and digital video signals, because it has video, audio, and control signals.</p>
<p>DVI</p>  <p>DVI-D</p>  <p>DVI-I</p> 	<p>DVI requires use of a separate audio cable.</p> <p>DVI-D transmits digital video signals. DVI-D can be used with a DVI-to-HDMI converter to connect to an HDMI connector on the TV.</p> <p>DVI-I transmits both digital and analog video signals. DVI-I can be used only with a DVI-to-VGA converter to connect a PC to the PC Input (VGA) connector on the TV.</p>
<p>Component</p> 	<p>Three-headed or five-headed cable: One for Pr signal (red), one for Y signal (green), and one for Pb signal (blue). Some component cables also have red and white audio cables attached. Used for HDTV receivers, DVD players, and other devices with YPbPr component output connectors.</p>
<p>S-Video</p>  	<p>Used with equipment such as DVD players, VCRs, cable or satellite tuners and decoders, camcorders, and digital cable boxes.</p>
<p>Composite</p>  	<p>Used with equipment such as VCRs and DVD players.</p>

Cable type/ connection	Description <i>(Continued)</i>
<p>Coaxial antenna</p> 	<p>RF or coaxial used for antennas or cable connections. Often used with a cable or a satellite decoder (set-top box), if no other choice is available.</p>
<p>VGA</p> 	<p>Interface used with PCs and monitors.</p>
<p>Digital audio</p> 	<p>High-resolution optical audio cable used for optional external audio systems, such as 5.1 channel surround sound.</p>
<p>RCA</p> 	<p>Red and white audio connectors that connect to the red and white (L and R) audio inputs.</p>
<p>RS-232</p> 	<p>Serial interface used for commercial purposes only.</p>
<p>Power cord</p> 	<p>Connects the TV to the AC power outlet.</p>

Specifications

Display	
TV panel	TFT LCD television
Dimensions in inches (mm)	
<p>HP LC4776N: W: 44.4 (1128), H: 31.7 (804), A: 22.0 (558), B: 29.3 (744), T: 5.4 (138), D: 11.0 (279), C: 15.6 (395)</p> <p>HP LC4276N, LC4272N, LC4270N: W: 40.0 (1015), H: 28.5 (724), A: 22.0 (558), B: 26.6 (676), T: 5.3 (135), D: 11.0 (279), C: 14.0 (355)</p> <p>HP LC3772N, LC3770N: W: 35.7 (908), H: 26.7 (678), A: 22.0 (558), B: 24.3 (617), T: 5.2 (133), D: 11.0 (279), C: 11.1 (283)</p> <p>HP LC3272N, LC3270N: W: 30.9 (786), H: 24.0 (610), A: 20.0 (507), B: 21.6 (549), T: 5.0 (128), D: 9.4 (239), C: 9.8 (249)</p>	
Picture resolution	<p>HP LC4776N: 1920 x 1080 (for 1080p input)</p> <p>HP LC4276N: 1920 x 1080 (for 1080p input)</p> <p>HP LC4272N, LC4270N: 1366 x 768</p> <p>HP LC3772N, LC3770N: 1366 x 768</p> <p>HP LC3272N, LC3270N: 1366 x 768</p>
Brightness	Up to 500 cd/m ²

Display <i>(Continued)</i>	
Contrast ratio	HP LC4776N: 1200:1 HP LC4276N: 1200:1 HP LC4272N, LC4270N: 1500:1 HP LC3772N, LC3770N: 1000:1 HP LC3272N, LC3270N: 1200:1
Response time (typical)	HP LC4776N: 6 ms HP LC4276N, LC4272N, LC4270N: 8 ms HP LC3772N, LC3770N: 6 ms HP LC3272N, LC3270N: 8 ms
Panel life	Up to 60,000 hours
Audio	<ul style="list-style-type: none"> ■ 10 watts per channel (two internal speakers) ■ HP Virtual Surround Sound: Theater, Music Hall ■ Analog output: 2-channel stereo ■ Digital (optical) output: Dolby Digital Out, PCM
OSD language	English/French/Spanish
Power requirement	AC 120 V $\sqrt{}$, 60 Hz
Power consumption	HP LC4776N: 330 W, HP LC4276N: 300 W HP LC4272N, LC4270N: 280 W HP LC3772N, LC3770N: 220 W HP LC3272N, LC3270N: 180 W

TV function	
TV standard (CCIR)	American TV Standard ATSC/NTSC/Clear-QAM system
Receiving channel	VHF: 2–13 UHF: 14–69 CATV: 1–125 Digital Terrestrial Broadcast (8VSB): 2–69 Digital cable (64/256 Clear-QAM): 1–135
Audio multiplex	BTSC system
Supported Inputs	480i, 480p, 720p, 1080i, 1080p (HDMI only)

Connectors	
Digital High Definition Input	HDMI input (Type A) connectors with HDCP: <ul style="list-style-type: none"> ■ HDMI 1 (with HDMI Audio In L and R) ■ HDMI 2 ■ HDMI 3 (select models only)
Component High Definition Input	<ul style="list-style-type: none"> ■ 1: Y, Pb, and Pr, and Audio L and R ■ 2: Y, Pb, and Pr, and Audio L and R
Standard Definition Input	<ul style="list-style-type: none"> ■ AV Input 1: S-Vid, Video, and Audio L and R ■ AV Input 2: S-Vid, Video, and Audio L and R
PC Input	VGA monitor input with Audio L/R (Line In)
Audio Output	<ul style="list-style-type: none"> ■ Digital (Optical) in Dolby Digital or PCM format ■ Audio Output L and R stereo analog (RCA)
ANT/Cable In (RF input)	75-ohm Unbalance, F-Type for VHF/UHF/CATV in
Serial RS-232 (select models only)	Serial Input (Commercial use only)
Service Port	USB (Repair use only)

Weight	
TV panel (no stand)	HP LC4776N: 66.0 lb. (29.9 kg) HP LC4276N, LC4272N, LC4270N: 52.8 lb. (23.9 kg) HP LC3772N, LC3770N: 40.7 lb. (18.5 kg) HP LC3272N, LC3270N: 33 lb. (15.0 kg)
TV with stand	HP LC4776N: 75.9 lb. (34.4 kg) HP LC4276N, LC4272N, LC4270N: 61.6 lb. (27.9 kg) HP LC3772N, LC3770N: 49.5 lb. (22.5 kg) HP LC3272N, LC3270N: 40.7 lb. (18.5 kg)

Environment	
Operating temperature at humidity	32° F to 95° F (0° C to 35° C) at 20% to 80% RH
Storage temperature at humidity	-4° F to +122° F (-20° C to +50° C) at 10% to 90% RH

Accessories	
In the box	Documentation, remote control, cable clamp, and AC power cord
Certification and compliance	UL, C-UL, FCC, BETS-7, ENERGY STAR qualified TV
Warranty	1 year, parts and labor

All specifications represent the typical specifications provided by HP's component manufacturers; actual performance may vary either higher or lower.

The panel life is determined as the time at which luminance is 50% compared to that of initial value at the typical lamp current on condition of continuous operation at 25 +/- °C. 60,000 hours equates to more than twenty-three years at seven hours a day viewing.

PC Compatibility Chart

Preset	Pixel format	Horiz. freq. (kHz)	Horiz. polarity	Vert. freq. (Hz)	Vert. polarity	Pixel clk. (MHz)	Source
1	640 x 480	31.5	-	59.9	-	25.2	VGA
2	640 x 480	37.5	-	75.0	-	31.5	VESA
3	720 x 400	31.5	-	70.1	+	28.3	VGA
4	800 x 600	37.9	+	60.3	+	40.0	VESA
5	800 x 600	46.9	+	75.0	+	49.5	VESA
6	1024 x 768	48.4	-	60.0	-	65.0	VESA
7	1024 x 768	56.5	-	70.1	-	75.0	VESA
8	1024 x 768	60.0	-	75.0	-	78.8	VESA
9	1280 x 768	47.4	+	60.0	-	68.3	VESA
10	1280 x 1024	64.0	+	60.0	+	108.0	VESA
11	1360 x 768	47.7	+	60.0	+	85.5	VESA
12	1920 x 1080	65.0	+	30.0	+	74.25	EIA

Troubleshooting

Refer to this section if you have startup, viewing, picture, sound, or remote control problems with your TV.

Startup questions

Symptom	Remedy
I do not hear sound at power-on, even though there is an image.	<ul style="list-style-type: none"> ■ Is the volume too low? Press the Volume button. ■ Is mute turned on? Press the Mute button, or the Volume button. ■ Are the TV speakers turned off in the onscreen display (OSD) menu? Press the Menu button to open the OSD. Press the down arrow button to select Audio, and then press the OK button; press the down arrow button to select Speaker, and press OK; press the down arrow to select On, and then press OK. Press the Menu button to close the OSD.
I do not hear sound from an HDMI connected set-top box, DVD player, or other device.	<p>Check that the device outputs audio over HDMI in PCM format. Change the device setting if needed.</p> <p>This TV does not support audio input over HDMI in Dolby Digital format; for more information, see "Understanding audio output" on page 32.</p> <p>To use Dolby Digital output from your digital source device, connect the digital output of your device directly to the input of your AV receiver or external sound system that supports Dolby Digital.</p>
I do not see an image at power-on.	<ul style="list-style-type: none"> ■ Are the connections to the input signal source component correct? Double-check that the cables are properly inserted into the color-coded connectors. ■ Is the input signal source powered on? Turn on the set-top box, DVD player, or other device that you are trying to view. ■ Is the correct input signal source selected? Press the Source button on the remote control, and confirm that the source is selected. ■ Press the Menu button on the remote control, or on the TV: <ul style="list-style-type: none"> ■ If the OSD appears, check the cables to the input source, and then press the Source button on the remote control, or on the TV, to select the input source. ■ If the OSD does not appear, see the next symptom, "There is no power."

Symptom	Remedy <i>(Continued)</i>
There is no power.	<ul style="list-style-type: none"> ■ Press the Power button on the remote control. ■ If the Power light on the TV is on (blue), press the Power button on the TV. ■ Is the AC power cord disconnected? Make sure that both ends of the power cord are plugged in. ■ Is there power coming from the outlet? Plug a functional lamp or other electrical device into the same outlet as the TV to make sure that there is power coming from the outlet. ■ If you are using a power strip, make sure that it is turned on.
The unit cannot be operated.	<ul style="list-style-type: none"> ■ External influences such as lightning and static electricity may cause improper operation. In this case, operate the unit after first turning on the power of the TV, or after unplugging the AC power cord and plugging it back in after 1 or 2 minutes.
The color is strange, faded, or misaligned.	<ul style="list-style-type: none"> ■ Adjust the picture tone. ■ Is the room too bright? The picture may look dark in a room that is too bright. ■ Check the input signal setting. ■ If you are watching a component device, make sure that the red, blue, and green cables are fully inserted into the proper connectors at both ends.
The power suddenly turned off.	<ul style="list-style-type: none"> ■ Is the sleep timer set? ■ The internal temperature of the TV has increased. Remove any objects that are blocking the vent, or clean the vent.

Viewing questions

Symptom	Remedy
I get a poor picture with video signal input.	Check the following: improper control setting, local interference, cable interconnections. Adjust the picture control as needed. Try another location for the TV. Make sure that all connections are secure.
There is no picture, and I have an external device controlling the TV.	<ul style="list-style-type: none"> ■ Press the Source button on the remote control, and confirm that the source is selected. ■ Verify that the external device or PC power is turned on. ■ Make sure that the source device is connected. ■ Check the power management function of the source device. Is it in standby mode? ■ Connect the source to the TV. Operate the external device or PC (move the mouse, or press a key).
The picture, with a component input source connected, is too red, blue, or green, or it has black that is too black or washed out.	<ul style="list-style-type: none"> ■ Make sure that each cable is plugged into the correct color-coded connector on the TV and on the input source device. ■ Make sure that the cables are fully inserted at both ends. ■ See "Adjusting the AV picture image" on page 31.

Picture quality questions

Symptom	Remedy
Part of the picture is cut off, or the picture is not centered.	Check the position adjustment settings, and adjust the screen settings accordingly.
The picture image is too large or too small.	Press the Aspect button on the remote control to select a different picture image size.
The picture is unstable.	Verify that the external device or PC resolution setting is correct. Adjust to the appropriate resolution.
The picture has dark side bars and I cannot remove the bars by choosing a different aspect ratio.	Press the Info button on the remote control and read the station transmission mode. Some stations transmit standard-definition programming directly in 16:9 aspect ratio so that the image has embedded dark side bars. For that type of input signal, the Panorama mode is not available, and the Zoom1 and Zoom2 modes do not eliminate the side bars.
When watching a DVD, the image has dark stripes at the top and bottom of the screen.	Film may be captured in many different widescreen ratios. When the original film ratio does not match the TV ratio, the stripes appear above and below the image.

Remote control questions

Symptom	Remedy
The remote control does not work.	<p>Check the following, and try the proposed solution:</p> <ul style="list-style-type: none"> ■ Make sure that the batteries are inserted with the polarity properly aligned. ■ Make sure that the remote control batteries are fresh. If they are worn out, replace them with new batteries. ■ Make sure that the remote control is within correct operating range. ■ Make sure that the remote sensor window on the front of the TV is not under too much light, direct sunlight, or strong artificial light. ■ Make sure that there are no obstacles are between the remote control and the sensor window on the front of the TV. ■ Make sure that the remote control is aimed at the TV and is not farther than 16.4 feet (5 meters) away.
The remote control does not control other home entertainment equipment.	This is not a universal remote control. It works only with your HP TV.
My universal remote control does not find an HP TV code.	<p>If you want to program a universal remote control to operate your HP TV, if HP is not listed in the supported brand codes, use a Philips TV code. The HP remote control transmits Philips-licensed remote control codes.</p> <p>After programming your universal remote control with a Philips TV code, it can operate your HP TV functions for: volume, mute, power, and input source.</p>
I cannot add a channel to the Fav button favorite channel list.	<p>To be able to add a channel to the favorites list, the channel must be in the channel list. The Setup Wizard, or the Auto Scan in the OSD Channel menu, creates the channel list when it searches for channels. Run the Setup Wizard or the Auto Scan; see "Starting the Setup Wizard" on page 41, or "Searching for channels" on page 33.</p>

Guide de l'utilisateur du téléviseur HDTV HP

Téléviseur haute définition LCD HP LC4776N 47 pouces (119 cm)

Téléviseur haute définition LCD HP LC4276N 42 pouces (106 cm)

Téléviseur haute définition LCD HP LC4272N 42 pouces (106 cm)

Téléviseur haute définition LCD HP LC4270N 42 pouces (106 cm)

Téléviseur haute définition LCD HP LC3772N 37 pouces (94 cm)

Téléviseur haute définition LCD HP LC3770N 37 pouces (94 cm)

Téléviseur haute définition LCD HP LC3272N 32 pouces (81 cm)

Téléviseur haute définition LCD HP LC3270N 32 pouces (81 cm)



i n v e n t

Les garanties des produits et services HP sont exclusivement présentées dans les déclarations expresses de garantie accompagnant ces produits et services. Aucun élément de ce document ne peut être considéré comme une garantie supplémentaire. La société HP ne saurait être tenue responsable des erreurs ou omissions de nature technique ou rédactionnelle qui pourraient subsister dans ce document.


La société HP n'assume aucune responsabilité quant à l'utilisation ou à la fiabilité de ses logiciels sur un matériel qui n'est pas fourni par HP.

Ce document contient des informations en propriété exclusive protégées par copyright. Aucune partie de ce document ne peut être photocopiée, reproduite ou traduite dans une autre langue sans l'autorisation écrite préalable de HP.

Hewlett-Packard Company
P.O. Box 4010
Cupertino, CA 95015-4010
États-Unis

Copyright © 2007 Hewlett-Packard Development Company, L.P.

Le produit peut faire l'objet d'une licence aux États-Unis en vertu d'un ou de plusieurs des brevets américains numéros 4 930 158 et 4 930 160 jusqu'au 28 août 2008.

 Fabriqué sous licence de Dolby Laboratories. Dolby et DIGITAL le symbole du double-D sont des marques de commerce de Dolby Laboratories.

HDMI, le logo HDMI et High-Definition Multimedia Interface sont des marques de commerce ou des marques déposées de HDMI Licensing LLC.

ENERGY STAR est une marque déposée du gouvernement des États-Unis.

HP est en faveur d'une utilisation licite des technologies et n'appuie ni n'encourage l'utilisation de produits à d'autres fins que celles autorisées par la loi sur les droits d'auteur.

Les informations figurant dans ce document sont sous réserve de modification sans préavis.



Cet encadré apporte les informations qui vous sont nécessaires.



Cet encadré apporte des informations importantes qui vous sont nécessaires.



ATTENTION : Le non-respect de ces instructions présente des risques pour le matériel et les informations qu'il contient.



AVERTISSEMENT : Ce symbole avertit l'utilisateur de la présence d'instructions d'utilisation et d'entretien (dépannage) importantes dans la documentation accompagnant l'appareil.



TENSION DANGEREUSE : Cet encadré indique la présence, dans le boîtier de l'appareil, de tensions non isolées suffisamment élevées pour constituer un risque d'électrocution des personnes.

Mesures de protection importantes

AVERTISSEMENT : POUR LIMITER LES RISQUES D'INCENDIE OU DE CHOC ÉLECTRIQUE, MAINTENEZ CET APPAREIL À L'ABRI DE LA PLUIE ET DE L'HUMIDITÉ.

 **ATTENTION : RISQUE DE CHOC ÉLECTRIQUE** 
NE PAS OUVRIR

ATTENTION : POUR LIMITER LES RISQUES DE CHOC ÉLECTRIQUE, N'ENLEVEZ PAS LE CAPOT (NI LE PANNEAU ARRIÈRE). CE TÉLÉVISEUR NE CONTIENT AUCUNE PIÈCE RÉPARABLE PAR L'UTILISATEUR. CONTACTEZ UN PERSONNEL TECHNIQUE QUALIFIÉ POUR TOUTE RÉPARATION.



CE SYMBOLE AVERTIT L'UTILISATEUR DE LA PRÉSENCE DANS LE BOÎTIER DE L'APPAREIL DE « TENSIONS NON ISOLÉES » SUFFISAMMENT ÉLEVÉES POUR CONSTITUER UN RISQUE DE CHOC ÉLECTRIQUE POUR LES PERSONNES. CONTACTEZ UN PERSONNEL TECHNIQUE QUALIFIÉ POUR TOUTE RÉPARATION.



CE SYMBOLE AVERTIT L'UTILISATEUR DE LA PRÉSENCE D'INSTRUCTIONS D'UTILISATION ET D'ENTRETIEN (DÉPANNAGE) IMPORTANTES DANS LA DOCUMENTATION ACCOMPAGNANT L'APPAREIL.

ATTENTION : NE PLACEZ PAS CE PRODUIT SUR UN CHARIOT, UN SUPPORT, UN TRÉPIED, UNE BRIDE OU UNE TABLE INSTABLE. IL POURRAIT TOMBER ET CAUSER DES BLESSURES GRAVES ET SUBIR DES DOMMAGES IMPORTANTS. UTILISEZ-LE UNIQUEMENT AVEC UN CHARIOT, UN SUPPORT, UN TRÉPIED, UNE BRIDE OU UNE TABLE RECOMMANDÉS PAR LE FABRICANT OU VENDUS AVEC L'APPAREIL. SUIVEZ LES CONSIGNES DU FABRICANT POUR INSTALLER L'APPAREIL ET MONTER LES ACCESSOIRES QU'IL RECOMMANDE. L'ENSEMBLE APPAREIL/SUPPORT DOIT ÊTRE DÉPLACÉ AVEC SOIN. LES ARRÊTS INTEMPESTIFS, LA TROP GRANDE FORCE ET LES SURFACES INÉGALES PEUVENT FAIRE BASCULER CET ENSEMBLE.



INFORMATIONS

Cet équipement a été testé et jugé conforme aux limites concernant les appareils numériques de classe B, selon les dispositions de la partie 15 des règles de la FCC. Ces limites sont conçues pour offrir une protection raisonnable contre les interférences dans une installation résidentielle. Cet équipement produit, utilise et peut émettre de l'énergie sous forme de radiofréquences. S'il n'est pas utilisé conformément aux instructions, il peut produire des interférences nuisibles aux communications radio. Cependant, il n'existe aucune garantie assurant qu'il n'y aura pas d'interférence dans une installation particulière. Si l'utilisateur constate des interférences lors de la réception d'émissions de radio ou de télévision (il suffit pour le vérifier d'allumer et d'éteindre successivement l'appareil), il devra prendre l'une ou plusieurs des mesures suivantes pour les éliminer. À cette fin, il devra :

- Réorienter ou déplacer l'antenne de réception.
- Augmenter la distance entre l'équipement et le récepteur.
- Brancher le matériel sur un circuit autre que celui du récepteur.
- Consulter le distributeur ou demander l'aide d'un technicien de radiotélévision expérimenté.

Avis concernant le sous-titrage codé

Ce récepteur de télévision affiche le sous-titrage codé conformément aux dispositions de l'alinéa 15.119 de la réglementation FCC.

Modifications

La FCC requiert que l'utilisateur soit averti que toute modification de cet équipement non approuvée expressément par la société Hewlett-Packard pourrait annuler le droit d'utilisation de l'équipement.

Câbles

Les câbles branchés à cet équipement doivent être blindés et comporter des capots de connecteur métalliques de type RFI/EMI pour être conformes aux règles et réglementations de la FCC.

PARTIE RESPONSABLE

Hewlett-Packard Company
Attn : Product Regulations Manager
10955 Tantau Avenue
Cupertino, CA 95014 - États-Unis

Consignes de sécurité importantes

L'électricité remplit de nombreuses fonctions utiles, mais si on l'utilise mal, elle peut occasionner des blessures et des dégâts matériels. La conception et la fabrication de ce produit ont été prioritairement axées sur une sécurité optimale. Toutefois, une mauvaise utilisation de l'appareil peut entraîner des risques de choc électrique ou d'incendie. Pour ne pas courir de tels dangers, respectez les consignes ci-dessous lors de l'installation, de l'utilisation ou du nettoyage du téléviseur. Par mesure de sécurité et pour prolonger la durée de vie de votre téléviseur, veuillez, avant de l'utiliser, lire attentivement les consignes de sécurité suivantes :

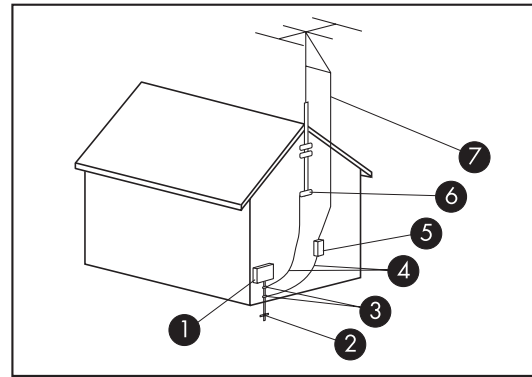
- 1** Lisez ces instructions.
- 2** Conservez ces instructions.
- 3** Tenez compte de tous les avertissements.
- 4** Suivez toutes les consignes.
- 5** N'utilisez pas ce téléviseur à proximité de l'eau.
- 6** Nettoyez uniquement avec un chiffon doux. Humidifiez au besoin le chiffon avec un peu d'eau. N'utilisez jamais de solvants ou de solutions nettoyantes abrasives pour nettoyer ce produit. Vous risqueriez en effet de l'endommager sérieusement.
- 7** N'obstruez pas les ouvertures d'aération. Installez cet appareil conformément aux instructions du fabricant.
- 8** N'effectuez pas d'installation près de sources de chaleur, telles que radiateurs, grilles de chauffage, poêles ou autres appareils (y compris les amplificateurs) dégageant de la chaleur.
- 9** N'ignorez pas la consigne de sécurité relative à la prise polarisée ou avec mise à la terre. Une prise polarisée comporte deux lames dont l'une est plus large. Une prise avec mise à la terre comporte deux lames et une broche pour la mise à la terre. La prise comporte une lame plus large ou une broche de mise à la terre pour votre sécurité. Si la prise fournie ne peut pas être branchée sur prise de courant, consultez un électricien afin qu'il remplace la prise inadaptée.
- 10** Veillez à ce que l'on ne marche pas sur le cordon d'alimentation ou qu'on ne l'écrase pas, plus particulièrement aux alentours des raccordements électriques et des prises de courant et à sa sortie de l'appareil.
- 11** Utilisez uniquement les fixations ou accessoires spécifiés par le fabricant.
- 12** Utilisez uniquement avec le chariot, support, trépied, bride ou table spécifiés par le fabricant ou vendus avec l'appareil. Avec un chariot, prenez toutes les précautions nécessaires lors du déplacement de l'ensemble chariot/téléviseur afin d'éviter qu'il ne bascule et que vous subissiez des blessures.
- 13** Débranchez le téléviseur pendant les orages électriques ou s'il risque de ne pas être utilisé pendant une longue période.
- 14** Contactez un personnel technique qualifié pour toute réparation. Une réparation est nécessaire si le téléviseur a subi des dommages, si le cordon d'alimentation ou la prise a été endommagé, si un liquide a été renversé sur le téléviseur, si des objets sont tombés dans le téléviseur, si le téléviseur a été exposé à la pluie ou l'humidité, s'il ne fonctionne pas normalement ou s'il est tombé.
- 15** Sources d'énergie : l'alimentation en courant électrique de cet appareil doit être du type spécifié sur l'étiquette signalétique. Si vous n'êtes pas sûr du type d'alimentation en courant électrique de votre domicile, consultez le distributeur de votre produit ou l'entreprise locale de distribution du courant électrique. Pour les appareils alimentés par des piles ou par d'autres sources d'alimentation, consultez le mode d'emploi.
- 16** Surcharge électrique : ne surchargez pas la capacité électrique des prises murales, des rallonges ou des prises multiples intégrées pour ne pas générer de risques d'incendie ou de choc électrique.



- 17** Pièces de rechange : si des pièces doivent être remplacées, assurez-vous que le technicien utilise bien les pièces de rechange prescrites par le fabricant ou ayant les mêmes caractéristiques que les pièces d'origine. L'utilisation de pièces non autorisées peut occasionner des risques d'incendie, de choc électrique et d'autres dangers.
- 18** Vérification de sécurité : après une opération de maintenance ou de réparation du téléviseur, demandez au technicien d'effectuer les vérifications de sécurité nécessaires pour vous assurer que l'appareil est en bon état de fonctionnement.
- 19** L'appareil ne doit pas être exposé à des fuites ou à des projections de liquide et aucun objet contenant un liquide, tels les vases, ne doit être placé sur le téléviseur.
- 20** **AVERTISSEMENT :** branchez le cordon d'alimentation à une prise de courant électrique dans un endroit où le connecteur du cordon d'alimentation est accessible facilement, dans le cas où l'alimentation devrait être débranchée.
- 21** **Entretien et réparation :** l'utilisateur ne doit pas tenter d'entretenir ou réparer l'appareil en dehors des consignes du mode d'emploi. Contactez un personnel technique qualifié pour toute autre opération d'entretien ou de réparation.

-
- Eau et humidité : n'utilisez pas cet appareil près de l'eau, comme par exemple une baignoire, une baignoire, un évier de cuisine, un bac de buanderie, dans une cave humide, près d'une piscine, ou dans tout autre endroit de ce type.
 - Support : ne placez pas l'appareil sur un chariot, un support, un trépied, une bride ou une table instable. S'il est placé sur une base instable, l'appareil peut tomber et provoquer des blessures graves ou être endommagé. Utilisez uniquement un meuble roulant, un support, un trépied, une fixation ou une table recommandés par le fabricant ou vendus avec l'appareil.
 - Aération : les événements et autres ouvertures d'aération du cadre sont destinés à l'aération uniquement. Ne les recouvrez et ne les obstruez pas, car une aération insuffisante risquerait de provoquer une surchauffe ou réduire la durée de vie de l'appareil. Ne placez pas l'appareil sur un lit, un canapé, un tapis ou toute autre surface similaire qui risque d'obstruer les ouvertures d'aération. Ce produit n'est pas prévu pour être encastré. Il ne doit pas être placé dans des endroits clos, tels que des bibliothèques ou des étagères, sauf avec une ventilation adéquate ou en cas d'instructions spécifiques du fabricant.
 - Le panneau d'affichage de cet appareil est en verre. Il risque donc de se briser s'il tombe ou s'il subit un choc. Faites attention à ne pas vous blesser sur les éclats de verre en cas de casse du panneau d'affichage.
 - Chaleur : cet appareil doit être placé loin de sources de chaleur, telles que cheminées, radiateurs, grilles de chauffage, poêles ou autres appareils (y compris les amplificateurs) dégageant de la chaleur.
 - Foudre : pour mieux protéger ce téléviseur pendant un orage électrique ou lorsqu'il doit rester longtemps sans surveillance ou inutilisé, débranchez-le de la prise murale et déconnectez l'antenne. Cela protégera votre équipement contre les dommages dus aux orages et aux pics de tension.
 - Lignes électriques : aucun système d'antenne extérieure ne doit être installé à proximité de lignes électriques aériennes ou d'autres appareils électriques installés en hauteur, ni dans un endroit où l'antenne pourrait tomber sur de telles installations électriques. Lors de la pose d'une antenne extérieure, prenez toutes les précautions nécessaires afin d'éviter tout contact avec les lignes à haute tension ou divers circuits électriques, un tel contact pourrait s'avérer fatal.

- Mise à la terre de l'antenne extérieure : si une antenne extérieure est connectée à cet appareil, assurez-vous que l'antenne est électriquement mise à la terre, de façon à vous protéger contre les surtensions et l'accumulation de charges d'électricité statique. L'article 810 du code national de l'électricité (National Electrical Code) des États-Unis, ANSI/NFPA 70, fournit des informations sur la mise à la terre correcte du mât d'antenne et de sa structure de base, sur la mise à la terre de la descente d'antenne à une unité de décharge d'antenne, sur la section des conducteurs de mise à la terre, sur l'emplacement de l'unité de décharge d'antenne, sur le raccordement des électrodes de mise à la terre et sur les spécifications requises de l'électrode de mise à la terre.



Mise à la terre de l'antenne

Mise à la terre de l'antenne

Référence	Matériel de mise à la terre
①	Boîtier de distribution électrique
②	Systèmes d'électrodes de mise à la terre du réseau électrique (art. 250 du NEC, Partie H)
③	Pince de mise à la terre
④	Conducteurs de mise à la masse (Section 810-21 du NEC)
⑤	Unité de décharge d'antenne (Section 810-20 du NEC)
⑥	Pince de mise à la terre
⑦	Fil conducteur de l'antenne

- Afin d'éviter les risques d'incendies, ne jamais placer une bougie ou tout autre type de flamme au dessus ou à proximité du téléviseur.
- Pour éviter les risques d'incendie ou de choc électrique, veillez à ne pas exposer cet appareil à des fuites ou à des projections de liquide. Aucun objet contenant du liquide, tel qu'un vase, ne doit être placé sur cet appareil.
- Afin d'éviter tout risque d'incendie ou de choc électrique, ne placez pas le cordon d'alimentation sous le téléviseur ou tout autre objet lourd.
- Mettez l'alimentation principale hors tension et débranchez le cordon secteur de la prise murale avant toute manipulation.

Informations importantes

Ce téléviseur ne peut être entretenu et réparé que par un technicien de maintenance autorisé. Le téléviseur ne peut pas être entretenu ou réparé par l'utilisateur.

Toute modification apportée à votre téléviseur est susceptible d'annuler votre garantie. Tout changement ou modification sans une autorisation expresse en ce sens du fabricant pourrait annuler le droit d'utiliser l'équipement.

Informations sur le recyclage

Pour des informations sur les conditions de recyclage de votre téléviseur par HP, consultez le site Web suivant :

<http://www.hp.com/recycle>

D'autres possibilités de recyclage sont peut-être disponibles dans votre région. Si vous résidez aux États-Unis ou au Canada, vous pouvez également appeler gratuitement le (1) (888) 485-1849.

Conformité à la norme ENERGY STAR

Les produits dont l'emballage porte le logo ENERGY STAR respectent les directives ENERGY STAR de l'Agence américaine de protection de l'environnement concernant le rendement énergétique.



Les produits qui portent le logo ENERGY STAR sont conçus pour utiliser moins d'énergie, ce qui vous permet de réduire votre facture d'électricité et de protéger l'environnement.

ENERGY STAR est une marque déposée du gouvernement des États-Unis.

Mise au rebut de certaines matières

Ce produit HP contient des matières qui requièrent un traitement spécial à la fin de leur cycle de vie :

- Au sujet du mercure contenu dans la lampe fluorescente de l'écran LCD.

L'élimination et le traitement du mercure peuvent être réglementés en raison de considérations environnementales. Pour obtenir des informations sur l'élimination et le traitement de cette substance, veuillez contacter les autorités locales concernées ou l'Electronic Industries Alliance (EIA) (<http://www.eia.org>).

Précautions de nettoyage

Débranchez le téléviseur avant de nettoyer l'écran.

L'utilisation de solvants, comme l'alcool, ou de matières abrasives comme les lingettes humidifiées ou traitées chimiquement, peut altérer le téléviseur ou la peinture du cache.

N'exposez pas le produit à des gaz volatils ou à des fluides comme les pesticides.

Le téléviseur ne doit pas entrer en contact avec des produits en vinyle ou en caoutchouc pendant une période prolongée. Un contact prolongé peut entraîner le retrait ou la dégradation de la surface.

Précautions de manipulation

Le téléviseur est très lourd ; assurez-vous d'adopter une position ergonomique lors de sa manipulation.

En raison de sa taille et de son poids, un minimum de deux personnes est recommandé pour déplacer le téléviseur.

Pour transporter le téléviseur, saisissez-le par les extrémités inférieure et supérieure de chaque côté de l'écran. Ne soulevez pas le téléviseur par le support fixé.

Ne posez jamais l'écran sur sa surface vitrée, à moins d'utiliser des tampons pour le protéger.

Sommaire

Mesures de protection importantes.....	iii
INFORMATIONS.....	iv
Consignes de sécurité importantes.....	v
Informations importantes.....	viii

Découvrir votre téléviseur 1

Identification des éléments compris dans la livraison.....	2
Emplacements des commandes et des connecteurs du téléviseur.....	3
Nettoyage.....	6
Précautions de nettoyage.....	6
Nettoyage du téléviseur.....	6

Installation du téléviseur 7

Choix d'un bon emplacement.....	7
Manipulation du téléviseur.....	8
Fixation ou démontage du support.....	8
Branchement du téléviseur.....	10
Choix de la connexion AV à utiliser.....	10
Raccordement des sources de signal du téléviseur.....	11
Raccordement du câble TV ou de l'antenne hertzienne.....	12
Connexion du câble ou du satellite à l'aide d'un boîtier décodeur.....	12
Raccordement d'un lecteur de DVD, d'un magnétoscope, d'une console de jeux ou d'un caméscope.....	14
Raccordement d'un magnétoscope pour l'enregistrement.....	16
Raccordement d'un ordinateur.....	16
Raccordement d'un système audio externe.....	18
Mise sous tension du téléviseur.....	18

Mise en marche du téléviseur 21

Mise en marche ou arrêt du téléviseur.....	21
Utilisation de l'assistant d'installation initiale.....	22

Contrôle du téléviseur.....23

Utilisation de la télécommande.....	23
Utilisation d'une télécommande universelle.....	23
Installation ou remplacement des piles de la télécommande.....	23
Identification des boutons de la télécommande.....	24
Réglage du volume.....	26
Mise en sourdine.....	26
Modification du mode Image.....	26
Changement de chaîne.....	26
Sélection de la dernière chaîne.....	26
Sélection d'une chaîne favorite.....	26
Affichage des informations sur les programmes.....	27
Sélection de la source d'entrée.....	27
Modification de l'affichage via le bouton Aspect.....	28
Activation des sous-titres.....	29
Réglage du mode stéréo SAP/MTS.....	29
Changement de mode Audio.....	29
Réglage de la minuterie d'extinction.....	30
Réglage des paramètres du téléviseur.....	30
Activation et désactivation de l'affichage à l'écran (OSD).....	30

Modification des paramètres du téléviseur31

Utilisation des menus OSD.....	31
Utilisation du menu Image.....	33
Réglage des paramètres de l'image.....	33
Utilisation du Menu Audio.....	34
Réglage des options audio.....	34
Utilisation du Menu Canal.....	36
Utilisation du menu Parental (Contrôle).....	36
Utilisation du mot de passe.....	37
Réglage du contrôle parental.....	37
Désactivation temporaire du blocage d'un programme.....	41
Réactivation du contrôle parental après une désactivation temporaire.....	41

Utilisation du menu Configuration	42
Utilisation du menu Heure	42
Utilisation du menu Caption (Closed Caption) (Sous-titrage (Sous-titrage codé))	43
Menu Sous-titrage	43
Sélection de la langue OSD	44
Lancement de l'assistant d'installation	44
Modification des identifications de prises	44
Rétablissement des paramètres par défaut	45

Réponses aux questions47

Explication de la terminologie de la télévision	47
Qu'est-ce que la télévision analogique, la télévision numérique et la télévision haute définition (HDTV) ?	47
Quelle est la différence, pour la télévision numérique, entre le format de signaux entrelacés et le format des signaux progressifs ?	47
Qu'est-ce qu'un rapport d'affichage variable ?	48
Qu'est-ce que la technologie HDMI ?	48
Identification de l'utilisation du câble	49

Caractéristiques techniques 51

Graphique de compatibilité avec l'ordinateur	54
--	----

Dépannage 55

Découvrir votre téléviseur

Nous vous remercions d'avoir acheté un téléviseur haute définition LCD HP. Tous les téléviseurs haute définition HP offrent une qualité d'image exceptionnelle dans un design élégant et stylisé.

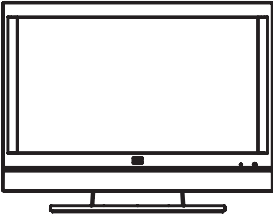
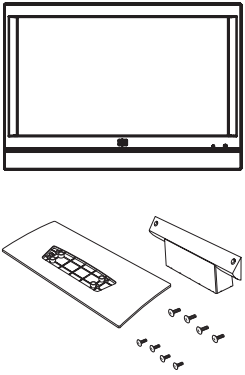

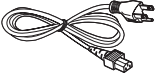
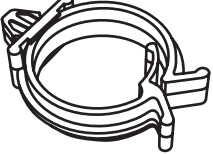

Caractéristiques :

- Une précision exceptionnelle de l'image avec des noirs profonds et des images claires et lumineuses qui animent les détails les plus fins, grâce à un moteur vidéo avancé qui offre un réglage dynamique du contraste et une amélioration de la netteté photoréaliste. Ce téléviseur HP intègre un système d'optimisation des couleurs à filtre-peigne numérique 3D Y/C qui reproduit les tons carnés exacts et les couleurs vives.
- Une qualité sonore remarquable émane des deux haut-parleurs intégrés. Le système de haut-parleurs haute fidélité HP est accompagné d'une technologie de traitement audio HP Virtual Sound, qui améliore la clarté vocale et les performances des graves pour une expérience sonore immersive.
- Une gamme étendue d'entrées numériques et analogiques, comprenant un syntoniseur HDTV intégré, HDMI et des entrées vidéo en composantes. Des connecteurs de sortie audio analogiques et numériques permettent une connectivité transparente à des haut-parleurs audio externes ou à un récepteur audio.
- Un téléviseur au fini luxueux qui se fond dans n'importe quel décor. Le support de plateau détachable est élégant et stylisé.
- L'amélioration de la netteté photoréaliste produit des images nettes et claires comme du cristal.
- L'adaptation dynamique du contraste, qui permet de régler la qualité d'image scène par scène.
- La réduction du bruit adaptable au mouvement, qui réduit considérablement le bruit visuel sans diminuer le niveau de détail.
- La technologie avancée de redimensionnement et de traitement de film, qui permet de regarder des DVD et des programmes TV de définition standard sur un grand écran.
- Un syntoniseur analogique/HDTV numérique intégré pour des programmes haute définition à partir de sources par câble ou par voie hertzienne.
- Un port HDMI permet l'entrée de contenus vidéo et audio numériques par un seul câble.
- Le panneau ultra longue durée assure jusqu'à 60 000 heures de fonctionnement.

Toutes les spécifications représentent le niveau type de performance donné par les fabricants de composants d'HP ; les performances constatées peuvent varier par rapport à ce niveau.

La durée de vie du panneau est définie comme la période écoulée jusqu'à ce que la luminosité soit descendue à 50 % de la valeur de luminosité initiale, pour une alimentation électrique de la lampe à intensité nominale et un fonctionnement en continu à 25 +/- °C. 60 000 heures correspondent à plus de vingt-trois années de fonctionnement à raison de sept heures par jour.

Identification des éléments compris dans la livraison

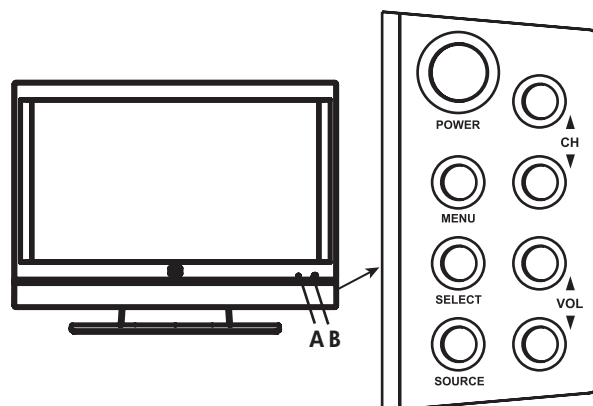
	Téléviseur avec support fixé
	<p><i>Ou, pour certains modèles :</i></p> <ul style="list-style-type: none">■ Panneau de téléviseur (support détaché)■ Support téléviseur (en deux pièces) avec huit vis
	Télécommande
	Cordon d'alimentation C.A.
	Serre-câbles
	Documentation

Emplacements des commandes et des connecteurs du téléviseur

Le téléviseur est équipé de commandes (voyants et boutons) et de connecteurs.

Commandes du téléviseur

Les voyants se trouvent sur la face avant du téléviseur et les boutons sur le côté droit.

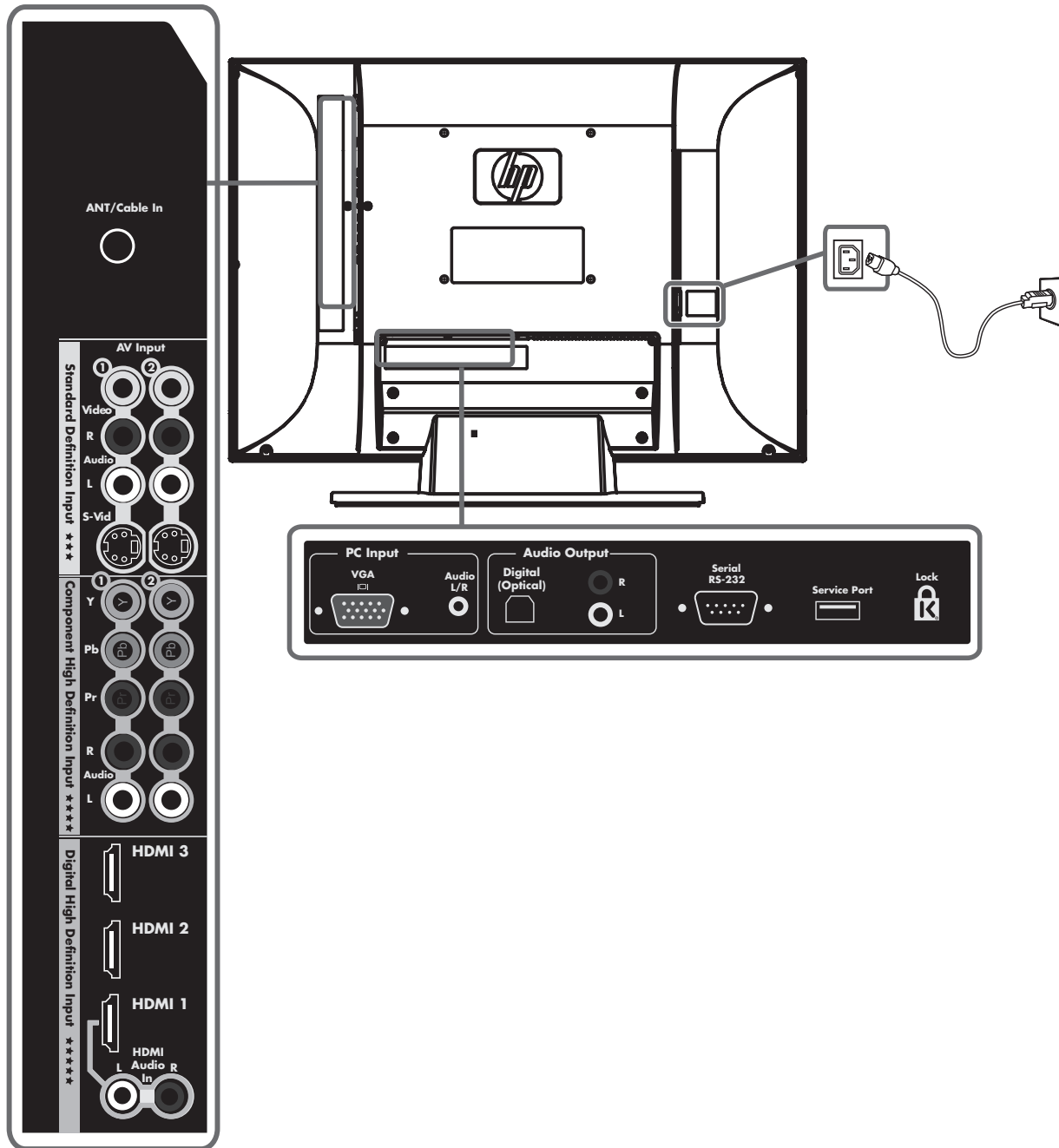


Bouton TV	Description
A : Témoin d'alimentation	Le témoin d'alimentation indique si le téléviseur est allumé ou éteint. Le témoin s'allume en bleu si le téléviseur est branché, mais hors tension. Il s'allume en jaune lorsque le téléviseur se met en marche après sa mise sous tension, puis s'éteint après environ 30 secondes. Le témoin s'éteint lorsque le téléviseur n'est pas branché.
B : Télécapteur	Le télécapteur est le point sur lequel la télécommande doit être dirigée.
ALIMENTATION	Utilisez le bouton d'alimentation pour allumer ou éteindre le téléviseur.
MENU	Utilisez le bouton Menu pour ouvrir (ou fermer) le menu d'affichage à l'écran (OSD).
SELECT (Sélectionner)	Utilisez le bouton Select (Sélectionner) pour démarrer la fonction Sync. automat. pour un signal source de PC connecté. Dans un menu OSD, ce bouton sélectionne l'élément mis en surbrillance.
SOURCE	Utilisez le bouton Source pour sélectionner la source d'entrée : Appuyez sur ce bouton pour ouvrir la liste des sources d'entrée. Appuyez sur les boutons de changement de chaîne pour sélectionner la source d'entrée et appuyez sur Select (Sélectionner). Appuyez sur Source pour fermer la liste. Dans un menu OSD, ce bouton a la même fonction que le bouton Précédent, ou permet de remonter d'un élément ou d'un niveau dans le menu.
▲ CH ▼	Utilisez les boutons de changement de chaîne pour sélectionner la chaîne inférieure ou supérieure suivante. Dans un menu OSD, appuyez sur ces boutons pour vous déplacer vers le haut ou le bas du menu.
▲ VOL ▼	Utilisez le bouton de volume pour diminuer ou augmenter le niveau sonore. Dans un menu OSD, déplacez-vous vers la droite ou la gauche du menu ou ajustez un élément.

Connecteurs du téléviseur

Les connecteurs sont situés à l'arrière du téléviseur.

Les connecteurs du téléviseur indiqués dans la figure suivante sont situés à gauche, au centre et à droite de la face arrière du téléviseur. Les connecteurs HDMI 3 et RS-232 sont fournis sur certains modèles uniquement.



Téléviseur (face arrière)	Description
<ul style="list-style-type: none"> ■ Entrée antenne/câble 	Branchez un câble coaxial à partir d'une antenne hertzienne ou d'une source de signal par câble.
Entrée de définition standard : <ul style="list-style-type: none"> ■ Entrée AV 1 : S-vid., Vidéo, Audio G et D ■ Entrée AV 2 : S-vid., Vidéo, Audio G et D 	Pour chaque jeu de connecteurs d'entrée AV : <ul style="list-style-type: none"> ■ Branchez un câble S-vidéo et les câbles audio gauche/droite de l'équipement en option. Ou Branchez un câble vidéo composite et les câbles audio gauche/droite de l'équipement en option (les connecteurs audio G et D sont partagés dans le jeu de connecteurs AV.)

!

Ne raccordez pas les câbles vidéo aux deux connecteurs S-vid. et Vidéo.

Téléviseur (face arrière)	Description (suite)
Entrée haute définition en composantes : <ul style="list-style-type: none"> ■ 1 : Y, Pb, et Pr, et entrée audio G et D ■ 2 : Y, Pb, et Pr, et entrée audio G et D 	Branchez les câbles vidéo en composantes et les câbles audio gauche/droite de l'équipement en option. Prend en charge les entrées analogiques de définition standard et de haute définition aux formats 480i, 480p, 720p et 1080i. Le téléviseur reconnaît automatiquement les éléments branchés. Certains boîtiers décodeurs doivent être réglés pour une sortie d'une résolution spécifique.

Téléviseur (face arrière)	Description (suite)
Entrée numérique haute définition : <ul style="list-style-type: none"> ■ HDMI 1 avec entrée audio HDMI G et D ■ HDMI 2 ■ HDMI 3 (certains modèles uniquement) 	Prend en charge les entrées numériques aux formats 480i, 480p, 720p, 1080i et 1080p. Le téléviseur reconnaît automatiquement les éléments branchés. Certains boîtiers décodeurs doivent être réglés pour une sortie d'une résolution spécifique. Pour chaque connecteur HDMI (High-Definition Multimedia Interface) : branchez un câble HDMI à un équipement numérique haute définition en option. Pour un connecteur HDMI 1 doté d'une entrée audio HDMI : branchez un câble DVI et un convertisseur DVI-HDMI à partir d'un équipement DVI en option et des câbles audio gauche/droite connectés à l'entrée audio HDMI G et D.
Entrée PC : <ul style="list-style-type: none"> ■ VGA ■ Audio G/D 	Branchez un câble VGA et un câble audio à partir de l'ordinateur (sortie ligne) pour utiliser le téléviseur comme moniteur.

Téléviseur (face arrière)	Description (suite)
Sortie audio : <ul style="list-style-type: none"> ■ Numérique (optique) ■ Sortie audio G et D 	Pour reproduire du son sur un système audio externe : <ul style="list-style-type: none"> ■ Branchez un câble optique pour reproduire du son numérique sur un système audio numérique externe en option. ■ Branchez les câbles audio gauche/droit pour reproduire du son stéréo sur un système audio (analogique) externe en option. Utilisez le connecteur gauche (blanc) pour un son mono (câble unique).
<ul style="list-style-type: none"> ■ Série RS-232 (certains modèles uniquement) 	Utilisé uniquement à des fins commerciales.
<ul style="list-style-type: none"> ■ Port d'entretien 	Utilisé uniquement à des fins de réparation.
<ul style="list-style-type: none"> ■ Verrou de sécurité Kensington 	Installez ce verrou pour sécuriser votre téléviseur.
<ul style="list-style-type: none"> ■ Entrée C.A. 	Branchez le cordon d'alimentation C.A. inclus. REMARQUE : n'utilisez que le cordon d'alimentation fourni par le fabricant.

Nettoyage

Précautions de nettoyage

Débranchez le téléviseur avant de nettoyer l'écran.

L'écran du téléviseur est traité avec un revêtement antireflet spécial. L'utilisation de solvants, comme l'alcool, ou de matières abrasives comme les lingettes humidifiées ou traitées chimiquement, peut altérer le revêtement de l'écran ou la peinture du cache.

N'exposez pas le produit à des gaz volatils ou à des fluides comme les pesticides.

Le téléviseur ne doit pas entrer en contact avec des produits en vinyle ou en caoutchouc pendant une période prolongée. Un contact prolongé peut entraîner la détérioration du revêtement ou la dégradation de la surface.

Nettoyage du téléviseur

Pour nettoyer l'écran, passez un chiffon doux non pelucheux légèrement humidifié avec de l'eau. Essayez délicatement l'écran sans exercer de pression.

Employez la même méthode pour nettoyer le cadre extérieur.

N'utilisez pas de nettoyeurs liquides ou en aérosol.

Installation du téléviseur

HP recommande une installation professionnelle par un installateur autorisé afin d'optimiser l'utilisation de votre téléviseur HDTV HP. Veillez à bien lire toutes les informations de sécurité et les précautions d'usage avant de commencer l'installation. Reportez-vous aux rubriques suivantes :

- « Mesures de protection importantes » à la page iii
- « Consignes de sécurité importantes » à la page v
- « Informations importantes » à la page viii

Choix d'un bon emplacement

Lors de la sélection de l'emplacement de votre téléviseur HP HDTV, considérez les conditions suivantes :

- La longueur du cordon d'alimentation : choisissez un emplacement avec un accès facile à la prise de courant électrique.
- La longueur du cordon et l'éloignement des périphériques : vérifiez que les câbles accèdent au téléviseur.



Pour visionner des programmes haute définition, une source de signal de haute définition, telle qu'un signal haute définition par voie hertzienne ou par câble, un boîtier décodeur de réception câble ou satellite, ou un lecteur de DVD haute définition, doit être connectée au téléviseur. Toutes les sources, excepté un signal haute définition par voie hertzienne ou par câble, doivent être branchées aux jeux de connecteurs d'entrée haute définition situés sur le téléviseur.

- N'installez pas votre téléviseur sur un chariot ou un support instable ; l'appareil pourrait tomber et provoquer des blessures.
- N'installez pas votre téléviseur sur un support trop petit, comme une petite table où l'écran déborderait de la surface de la table.

- N'accrochez pas le téléviseur au plafond, l'appareil pourrait tomber et provoquer des dommages corporels.
- Évitez l'exposition directe aux rayons de soleil qui pourraient endommager l'appareil ou gêner le fonctionnement de la télécommande.
- Évitez les zones très humides ou dégageant de la vapeur d'eau qui pourraient occasionner des risques d'incendie ou de choc électrique.
- N'installez pas le téléviseur près d'autres appareils électriques, comme un four à micro-ondes, ni près d'une source de chaleur, comme une cheminée ou un radiateur.
- Ne placez pas le téléviseur sur une surface inclinée ou instable.
- Prévoyez un espace de ventilation minimum de 10 cm autour du téléviseur.
- Montage mural : votre téléviseur peut être monté au mur à l'aide d'un kit de montage mural approuvé par HP (vendu séparément) :
fixation plate pour téléviseur LCD, Modèle PYO43AA#ABA

fixation à bascule pour téléviseur LCD, Modèle PYO44AA#ABA

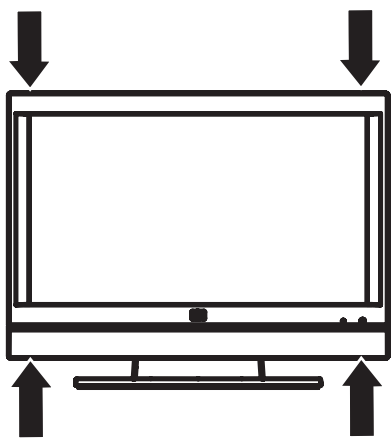
Retirez le support du téléviseur. Reportez-vous à la section « Fixation ou démontage du support » à la page 8. Suivez ensuite les instructions de montage contenues dans le kit de montage mural. Pour un montage mural du téléviseur, HP vous recommande de faire appel à un professionnel.

Manipulation du téléviseur

Le téléviseur est très lourd ; assurez-vous d'adopter une position ergonomique lors de sa manipulation.

En raison de sa taille et de son poids, un minimum de deux personnes est recommandé pour déplacer le téléviseur.

Pour transporter le téléviseur, saisissez-le par les extrémités inférieure et supérieure de chaque côté de l'écran. Ne soulevez pas le téléviseur par le support fixé.



Déplacez délicatement le téléviseur. Ne posez jamais l'écran sur sa surface vitrée, à moins d'utiliser des tampons pour le protéger.

Fixation ou démontage du support

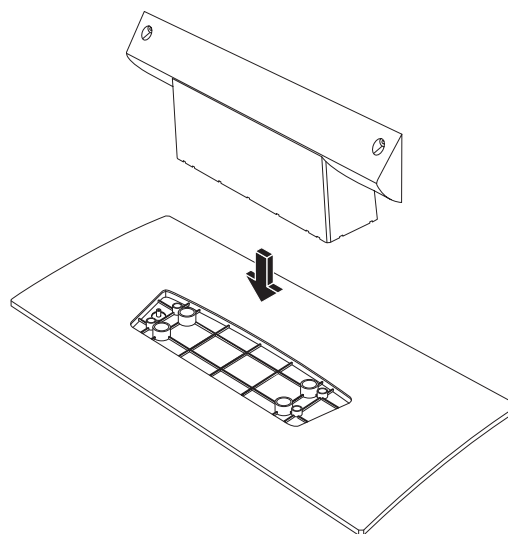
Votre téléviseur HDTV HP est livré avec le support déjà fixé. Certains modèles de téléviseur sont fournis avec un support qu'il faut fixer à l'écran. Effectuez ces étapes dans l'ordre inverse pour démonter le support.



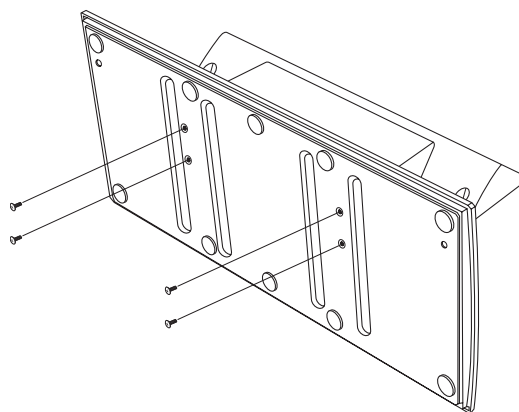
ATTENTION : Le montage du téléviseur doit être effectué par deux personnes.

Avant de fixer le support, débranchez le cordon d'alimentation de la prise de courant, puis débranchez les câbles.

- 1 Munissez-vous du support du téléviseur (deux pièces), du panneau, des huit vis de montage contenus dans l'emballage.
- 2 Prenez les deux pièces du support, placez le socle sur la base, puis appuyez sur celui-ci pour l'insérer dans la base.



- 3 Retournez l'ensemble du support assemblé et insérez les quatre vis courtes au bas de la base, puis serrez-les pour fixer la base au socle.

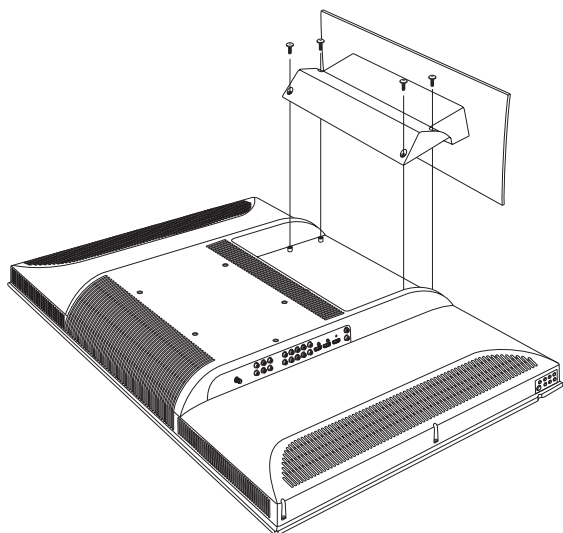


- 4 Avec précaution, posez l'écran du téléviseur sur une table stable, face vitrée vers le bas et en interposant un rembourrage. Placez le bas du téléviseur près du bord de la table.



AVERTISSEMENT : Veillez à ce que le support ne tombe pas sur le panneau du téléviseur.

- 5** En tenant le support assemblé par la base (face arrière vers vous), placez-le au bas du téléviseur. Maintenez le support en place.



- 6** Insérez les quatre vis longues dans les perçages à l'arrière du support (socle) et à l'arrière du téléviseur et serrez-les.
- 7** Soulevez le téléviseur puis placez-le en position verticale sur une table stable.

Branchement du téléviseur

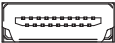


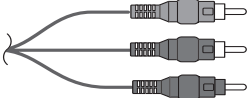




Installez le téléviseur en branchant les câbles et le cordon d'alimentation.

Choix de la connexion AV à utiliser

Lorsque vous branchez un équipement audiovisuel (AV) en option comme source de signal, les connecteurs correspondants peuvent limiter le type de connexion possible.

Lorsque votre équipement comporte plusieurs types de connecteurs de sortie, choisissez la connexion qui offre la meilleure qualité d'image en mode de lecture.

Le tableau suivant répertorie les connexions AV optionnelles disponibles sur le téléviseur.

Connexion AV à utiliser, par ordre décroissant de qualité de lecture vidéo		
Description de la connexion	Connecteur du téléviseur	Prise de câble
<p>L'interface HDMI (High-Definition Multimedia Interface) transmet un signal entièrement numérique. Cette option est recommandée pour les signaux haute définition, et pour la lecture sur un boîtier décodeur de réception numérique, un lecteur de DVD ou un appareil DVR.</p> <p>Pour un appareil DVI-D, vous pouvez utiliser un câble DVI doté d'un convertisseur DVI-HDMI pour brancher la vidéo au connecteur HDMI 1 du téléviseur, et un câble audio pour brancher le son de la source aux connecteurs d'entrée audio HDMI G et D du téléviseur.</p> <p>Utilisez cette connexion pour des signaux vidéo de définition standard ou haute définition au format d'entrée 480i, 480p, 720p, 1080i ou 1080p à partir d'un boîtier décodeur de réception, un lecteur de DVD ou un autre appareil. Ce téléviseur ne prend pas en charge l'entrée audio Dolby Digital sur HDMI. Lorsque vous branchez un boîtier décodeur, un lecteur de DVD ou un autre appareil via le connecteur HDMI, définissez la sortie audio de l'appareil sur le format PCM.</p>		
<p>La vidéo en composantes (Y, Pb et Pr) transmet la vidéo en différents signaux séparés rouge, vert et bleu. Utilisez cette connexion pour les signaux vidéo de format standard ou haute définition au format 480i, 480p, 720p ou 1080i émis depuis un lecteur de DVD ou un autre appareil.</p>		
<p>S-vidéo transmet la vidéo standard sous forme de signaux couleur et noir et blanc séparés et produit une image plus nette qu'un câble vidéo composite.</p>		
<p>L'entrée vidéo (vidéo composite) transmet la vidéo standard sous forme de signal simple.</p>		

Les procédures suivantes décrivent comment brancher un équipement en option pour chaque type de connexion AV, notamment les connexions audio, le cas échéant.

Raccordement des sources de signal du téléviseur



AVERTISSEMENT : Avant de raccorder le téléviseur à un autre appareil électronique, débranchez les cordons d'alimentation du téléviseur et des appareils électroniques des prises de courant.

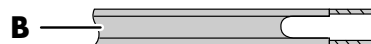
Les points suivants donnent une explication des différents types de connexions utilisées avec un câble coaxial.

Si votre antenne extérieure nécessite un câble coaxial de 75 ohms et un connecteur de type F, raccordez ce câble au connecteur d'entrée ANT/Câble situé à l'arrière du téléviseur.

- Le câble de 75 ohms est généralement un câble rond accompagné d'un connecteur de type F qui peut être facilement raccordé à un connecteur sans nécessiter l'utilisation d'outils particuliers (vendus séparément).
- Le câble de 300 ohms est un câble plat, bifilaire qui peut être raccordé à un connecteur de 75 ohms via un adaptateur de 300/75 ohms (vendu séparément).



Un connecteur de type F doit être serré à la main. Lorsque vous raccorderez le câble RF au téléviseur, n'utilisez pas d'outil pour serrer le connecteur de type F ; cela pourrait endommager votre téléviseur.



- A Câble coaxial de 75 ohms, rond**
- B Câble bifilaire de 300 ohms, plat**
- C Connecteur de type F**

Branchez les sources d'entrée au téléviseur selon le type de connexion :

- Antenne ou câble de base (câble ou satellite) sans boîtier décodeur distinct : Reportez-vous à la section « Raccordement du câble TV ou de l'antenne hertzienne » à la page 12.
- Antenne ou câble avec boîtier décodeur distinct : Reportez-vous à la section « Connexion du câble ou du satellite à l'aide d'un boîtier décodeur » à la page 12.



Pour raccorder un équipement audio externe, reportez-vous à la section « Raccordement d'un système audio externe » à la page 18.

Raccordement du câble TV ou de l'antenne hertzienne

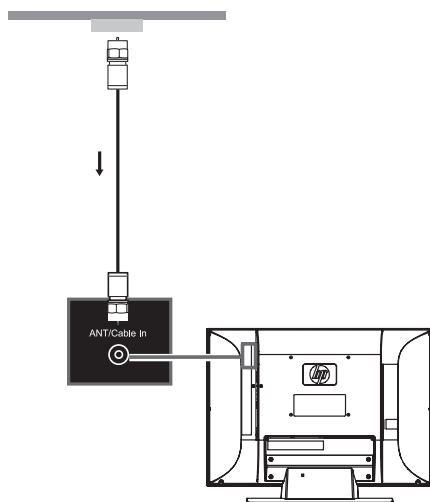
Utilisez un câble coaxial standard de 75 ohms pour raccorder la source d'entrée d'une antenne au sol ou la télévision par câble, au téléviseur. Utilisez des câbles coaxiaux blindés afin de réduire le brouillage radioélectrique.

L'équipement optionnel, le service de télévision par câble, ainsi que tous les câbles sont vendus séparément.



ATTENTION : Mettez le téléviseur et tous les autres composants raccordés hors tension avant de fixer ou de raccorder l'antenne ou le câble.

- 1 Branchez un câble coaxial à la source d'entrée.
- 2 Raccordez le câble coaxial de la source d'entrée au connecteur d'entrée Antenne/Câble situé à l'arrière du téléviseur.



- 3 Raccordez le cordon d'alimentation au téléviseur. Reportez-vous à la section « Mise sous tension du téléviseur » à la page 18.
- 4 Allumez le téléviseur. Reportez-vous à la section « Mise en marche ou arrêt du téléviseur » à la page 21.

- 5 Sélectionnez la source d'entrée à afficher, ainsi que le mode Image, l'aspect et d'autres options. Reportez-vous à la section « Contrôle du téléviseur » à la page 23.

Connexion du câble ou du satellite à l'aide d'un boîtier décodeur

La connexion directe du téléviseur à la sortie audio et vidéo de votre boîtier décodeur vous offre une image aux couleurs plus riches et améliore la qualité d'affichage. Pour des informations sur les connecteurs et les câbles, reportez-vous à la section « Choix de la connexion AV à utiliser » à la page 10.

L'équipement optionnel, ainsi que tous les câbles sont vendus séparément.

Vous pouvez brancher un boîtier décodeur TV numérique (voie hertzienne ou câble) et d'autres équipements AV en utilisant un jeu de connecteurs à partir de l'une des entrées suivantes :

- **Entrée numérique haute définition :** Branchez un câble HDMI du boîtier décodeur numérique haute définition câble ou satellite à l'un des connecteurs HDMI.

Ou

Branchez un câble DVI-D et un convertisseur DVI-HDMI du boîtier décodeur numérique haute définition câble ou satellite doté d'un connecteur DVI à l'entrée HDMI 1, et les câbles audio gauche/droite à l'entrée audio HDMI G et D.

L'interface HDMI prend en charge les formats d'entrée 480i, 480p, 720p, 1080i et 1080p. Le téléviseur reconnaît automatiquement les éléments branchés. Certains boîtiers décodeurs doivent être réglés pour une sortie d'une résolution spécifique. Les connecteurs HDMI sont :

- HDMI 1 avec entrée audio HDMI G et D
- HDMI 2
- HDMI 3 (certains modèles uniquement)
- **Entrée haute définition en composantes :** Branchez les câbles vidéo en composantes et les câbles audio gauche/droite du câble haute définition ou du boîtier décodeur satellite.

Les connecteurs de composantes prennent en charge les formats d'entrée 480i, 480p, 720p et 1080i. Le téléviseur reconnaît automatiquement les éléments branchés. Certains boîtiers décodeurs doivent être réglés pour une sortie d'une résolution spécifique.

Les connecteurs de composantes sont :

- 1 : Y, Pb, et Pr, et entrée audio G et D
- 2 : Y, Pb, et Pr, et entrée audio G et D
- **Entrée à définition standard :** Branchez un câble S-vidéo, ou un câble vidéo composite, ainsi que les câbles audio gauche/droite du boîtier décodeur de réception câble ou satellite (les connecteurs audio G et D sont partagés dans le jeu de connecteurs AV).

Les connecteurs d'entrée AV sont :

- 1 : S-vid., Vidéo et Audio G et D
- 2 : S-vid., Vidéo et Audio G et D



Les connecteurs d'entrée à définition standard (S-vid. ou Vidéo) ne transmettent pas des signaux TV haute définition.

Pour brancher le boîtier décodeur :

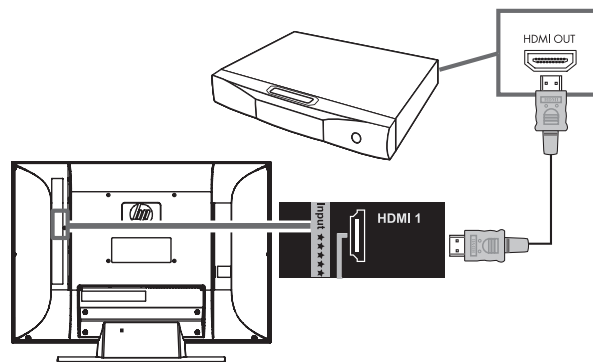


ATTENTION : Mettez le téléviseur et tous les autres composants raccordés hors tension avant de connecter le boîtier décodeur.

1 Raccordez le(s) câble(s) de source d'entrée du boîtier décodeur à l'arrière du téléviseur à l'aide de l'un des jeux de connecteurs suivants :

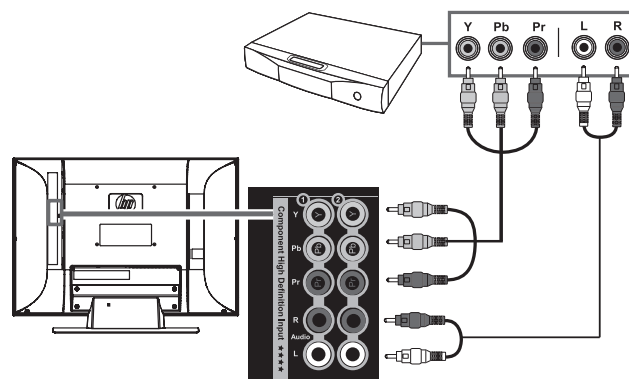
- **Entrée numérique haute définition :** Branchez un câble HDMI à l'un des connecteurs HDMI : HDMI 1, HDMI 2 ou HDMI 3 (certains modèles uniquement)
Ou

Branchez un câble DVI-D et un convertisseur DVI-HDMI (à partir d'un boîtier décodeur numérique de réception câble ou satellite haute définition doté d'un connecteur DVI) à HDMI 1, et les câbles audio gauche/droite à l'entrée audio HDMI G et D.



- **Entrée haute définition en composantes :** Branchez les câbles vidéo en composantes et les câbles audio droite/gauche aux connecteurs de composantes :

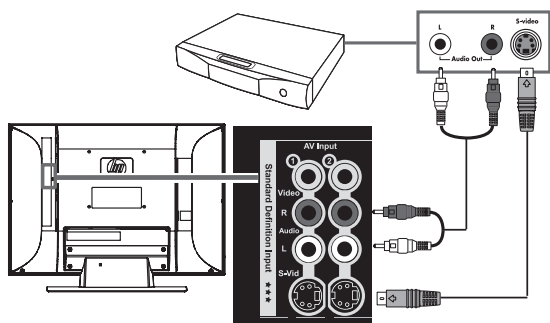
- 1 : Y, Pb, et Pr, et entrée audio G et D
Ou
2 : Y, Pb, et Pr, et entrée audio G et D



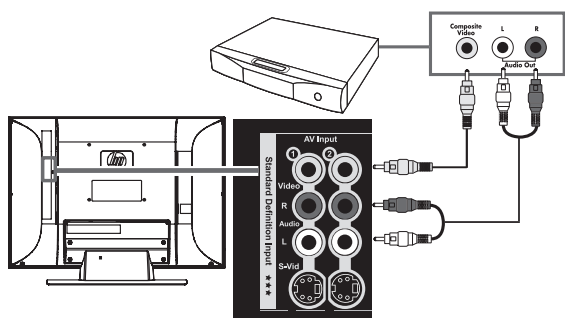
- **Entrée à définition standard :** Branchez un câble S-vidéo ou un câble vidéo composite, ainsi que les câbles audio gauche/droite aux connecteur d'entrée AV :

- 1 : S-vid., Vidéo et Audio G et D
Ou
2 : S-vid., Vidéo et Audio G et D

Connexion S-vid



Connexion Vidéo



!

Les connecteurs S-vid. et Vidéo partagent tous deux des connecteurs audio G et D (les connecteurs S-vid. et vidéo d'entrée AV 1 partagent des connecteurs audio ; les connecteurs S-vid. et vidéo d'entrée AV 2 partagent des connecteurs audio).

Ne raccordez pas les câbles vidéo aux deux connecteurs S-vid. et Vidéo dans un jeu.

- 2 Raccordez les câbles au boîtier décodeur.
- 3 Mettez le boîtier décodeur en marche.
- 4 Raccordez le cordon d'alimentation au téléviseur. Reportez-vous à la section « Mise sous tension du téléviseur » à la page 18.
- 5 Allumez le téléviseur. Reportez-vous à la section « Mise en marche ou arrêt du téléviseur » à la page 21.
- 6 Sélectionnez la source d'entrée à afficher, ainsi que le mode Image, l'aspect et d'autres options. Reportez-vous à la section « Contrôle du téléviseur » à la page 23.

14 Guide de l'utilisateur du téléviseur HDTV HP

Raccordement d'un lecteur de DVD, d'un magnétoscope, d'une console de jeux ou d'un caméscope

Vous pouvez raccorder un équipement en option (vendu séparément), tel qu'un lecteur de DVD, un magnétoscope, un appareil DVR, etc. au téléviseur.

L'équipement optionnel, y compris le système audio externe, ainsi que tous les câbles sont vendus séparément.

Pour brancher un magnétoscope afin de lire des enregistrements, vous pouvez utiliser une connexion S-vid. ou vidéo (vidéo composite). Le téléviseur n'est pas équipé de connecteurs de sortie vidéo.

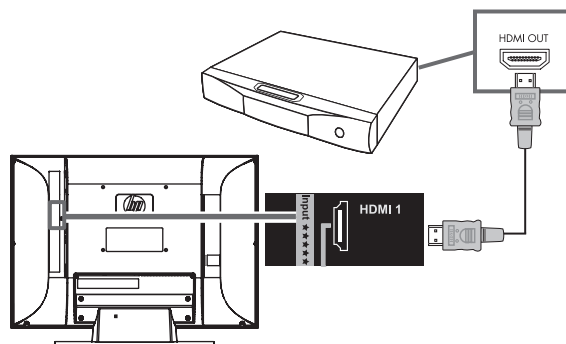


ATTENTION : Débranchez le cordon d'alimentation du téléviseur ainsi que tous autres composants raccordés avant de raccorder l'équipement optionnel. Veillez à ce que l'équipement optionnel soit mis hors tension.

Raccordement d'un lecteur de DVD ou d'un autre équipement numérique haute définition à l'aide d'un câble HDMI

C'est la connexion recommandée pour toute connexion vidéo ou audio haute définition. Le câble HDMI est vendu séparément.

- 1 Branchez un câble HDMI à l'un des connecteurs HDMI situés à l'arrière du téléviseur : HDMI 1, HDMI 2 ou HDMI 3 (certains modèles uniquement) (il n'existe pas d'entrée audio séparée pour HDMI).

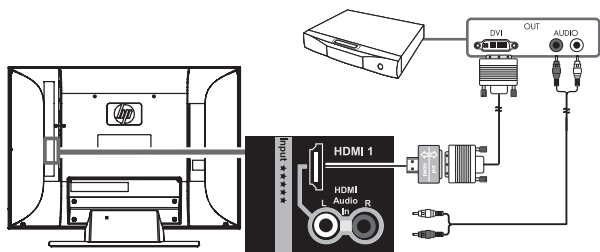


- 2 Branchez le câble au lecteur de DVD ou à l'équipement source.
- 3 Mettez le lecteur de DVD en marche et commencez la lecture.
- 4 Raccordez le cordon d'alimentation au téléviseur. Reportez-vous à la section « Mise sous tension du téléviseur » à la page 18.
- 5 Allumez le téléviseur. Reportez-vous à la section « Mise en marche ou arrêt du téléviseur » à la page 21.
- 6 Sélectionnez la source d'entrée à afficher, ainsi que le mode Image, l'aspect et d'autres options. Reportez-vous à la section « Contrôle du téléviseur » à la page 23.

Raccordement d'un lecteur de DVD ou d'un autre équipement numérique haute définition à l'aide d'un câble DVI

Le câble DVI, le convertisseur DVI-HDMI et le câble audio sont vendus séparément.

- 1 Branchez un câble DVI-D et un convertisseur DVI-HDMI au connecteur HDMI 1 situé à l'arrière du téléviseur, et les câbles audio gauche/droite à l'entrée audio HDMI G et D.



- 2 Branchez le câble DVI au connecteur DVI-D du lecteur de DVD.
- 3 Branchez le câble audio aux connecteurs de sortie audio du lecteur de DVD.
- 4 Mettez le lecteur de DVD en marche et commencez la lecture.
- 5 Raccordez le cordon d'alimentation au téléviseur. Reportez-vous à la section « Mise sous tension du téléviseur » à la page 18.
- 6 Allumez le téléviseur. Reportez-vous à la section « Mise en marche ou arrêt du téléviseur » à la page 21.

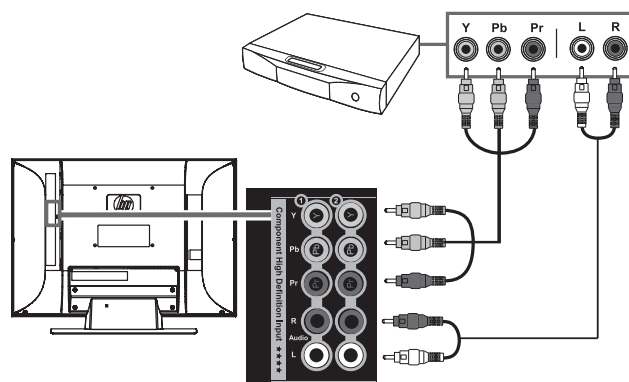
- 7 Sélectionnez la source d'entrée à afficher, ainsi que le mode Image, l'aspect et d'autres options. Reportez-vous à la section « Contrôle du téléviseur » à la page 23.

Raccordement d'un lecteur de DVD ou d'un autre équipement haute définition à l'aide de câbles en composantes

Vous pouvez utiliser deux jeux de connecteurs en composantes haute définition :

- 1 : Y, Pb, et Pr, et entrée audio G et D
- 2 : Y, Pb, et Pr, et entrée audio G et D

- 1 Branchez les câbles vidéo en composantes et les câbles audio gauche/droite aux connecteurs en composantes situés à l'arrière du téléviseur.



- 2 Raccordez les câbles au lecteur de DVD.
- 3 Mettez le lecteur de DVD en marche et commencez la lecture.
- 4 Raccordez le cordon d'alimentation au téléviseur. Reportez-vous à la section « Mise sous tension du téléviseur » à la page 18.
- 5 Allumez le téléviseur. Reportez-vous à la section « Mise en marche ou arrêt du téléviseur » à la page 21.
- 6 Sélectionnez la source d'entrée à afficher, ainsi que le mode Image, l'aspect et d'autres options. Reportez-vous à la section « Contrôle du téléviseur » à la page 23.

Raccordement d'un lecteur de DVD ou d'un autre équipement haute définition à l'aide de câbles S-vidéo ou vidéo

Branchez un lecteur de DVD, un magnétoscope, une console de jeux, un caméscope ou tout autre équipement AV à définition standard au moyen des connecteurs S-vid. ou vidéo (vidéo composite). Ces derniers ne transmettent pas de signaux haute définition.

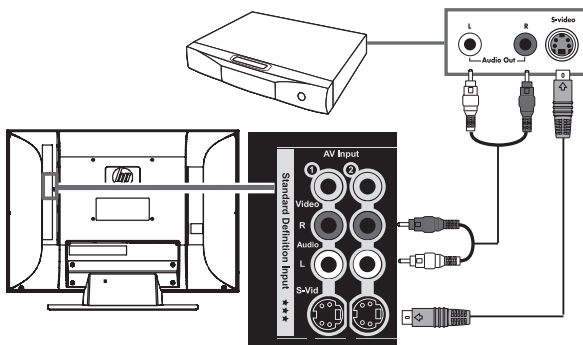
!

Les connecteurs S-vid. et Vidéo partagent les connecteurs audio du même jeu. Ne raccordez pas les câbles vidéo aux deux connecteurs S-vid. et Vidéo dans un jeu.

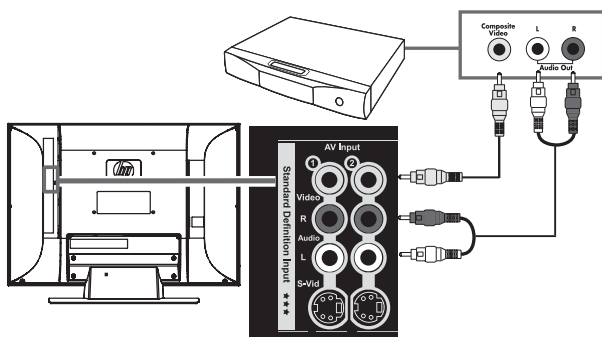
1 Branchez un câble S-vidéo ou un câble vidéo composite à l'aide des jeux de connecteurs AV situés à l'arrière du téléviseur.

- 1 : S-vid., Vidéo et Audio G et D
- 2 : S-vid., Vidéo et Audio G et D

Connexion S-vid.



Connexion Vidéo



2 Branchez le câble vidéo au lecteur de DVD ou à tout autre équipement source.

- Pour un lecteur de DVD, un magnétoscope, un périphérique DVR ou un autre équipement source doté d'un connecteur S-vidéo, utilisez un câble S-vidéo.

Ou

Pour un lecteur de DVD, un magnétoscope, un périphérique DVR ou un autre équipement source doté d'un connecteur composite, utilisez un câble composite.

3 Branchez les câbles audio aux connecteurs audio G et D du téléviseur pour le jeu de connecteurs.

4 Raccordez les câbles audio au lecteur de DVD.

5 Mettez le lecteur de DVD en marche et commencez la lecture.

6 Raccordez le cordon d'alimentation au téléviseur. Reportez-vous à la section « Mise sous tension du téléviseur » à la page 18.

7 Allumez le téléviseur. Reportez-vous à la section « Mise en marche ou arrêt du téléviseur » à la page 21.

8 Sélectionnez la source d'entrée à afficher, ainsi que le mode Image, l'aspect et d'autres options. Reportez-vous à la section « Contrôle du téléviseur » à la page 23.

Raccordement d'un magnétoscope pour l'enregistrement

Le téléviseur ne fournit pas de signal de sortie pour l'enregistrement.

Raccordement d'un ordinateur

Suivez les instructions ci-après pour brancher un ordinateur ou un autre équipement source à l'entrée PC (connecteurs VGA et audio G/D) à l'arrière du téléviseur. L'entrée PC est une source d'entrée sélectionnable (PC dans la liste des sources). Les câbles sont vendus séparément.



Pour une liste des signaux PC compatibles avec le téléviseur, reportez-vous à la section « Graphique de compatibilité avec l'ordinateur » à la page 54.

Vous pouvez également brancher un ordinateur avec un connecteur DVI :

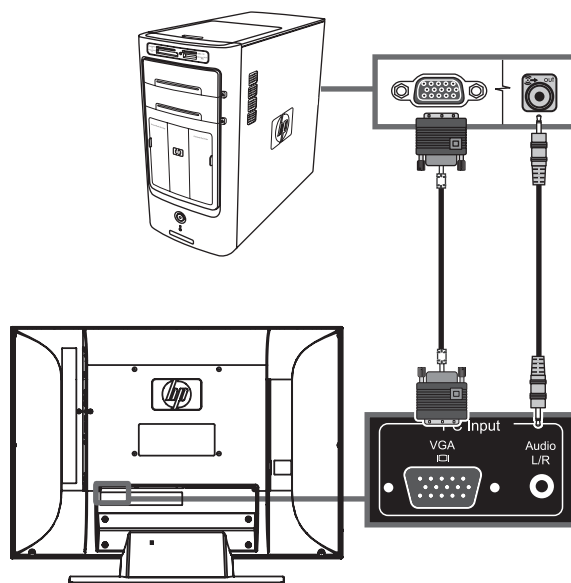
- Pour un ordinateur équipé d'un connecteur DVI-D, branchez un câble DVI-D et un convertisseur DVI-HDMI au connecteur HDMI 1, et les câbles audio gauche/droite à l'entrée audio HDMI G et D.
- Pour un ordinateur équipé d'un connecteur DVI-I, branchez un câble DVI-I et un convertisseur DVI-VGA au connecteur (VGA) d'entrée PC et le son au connecteur d'entrée audio PC G/D.

Pour raccorder un ordinateur à l'aide des connecteurs d'entrée PC :



ATTENTION : Débranchez le cordon d'alimentation du téléviseur ainsi que tous autres composants raccordés avant de raccorder un ordinateur. Veillez à ce que l'ordinateur soit mis hors tension.

- 1 Branchez l'ordinateur ou le câble vidéo de l'équipement source au téléviseur à l'aide du connecteur (VGA) d'entrée PC.



- 2 Branchez le câble audio de l'équipement source au connecteur d'entrée audio PC G/D.
- 3 Connectez les câbles VGA et audio à l'ordinateur ou à l'équipement source.
- 4 Raccordez le cordon d'alimentation au téléviseur. Reportez-vous à la section « Mise sous tension du téléviseur » à la page 18.
- 5 Allumez le téléviseur. Reportez-vous à la section « Mise en marche ou arrêt du téléviseur » à la page 21.
- 6 Branchez l'alimentation et mettez l'ordinateur ou l'équipement source en marche.
- 7 Sélectionnez la source d'entrée à afficher, ainsi que le mode Image, l'aspect et d'autres options. Reportez-vous à la section « Contrôle du téléviseur » à la page 23.
- 8 Ajustez l'image, y compris la synchronisation automatique, à l'aide de l'option Screen (Écran) du menu Image de l'affichage à l'écran. Reportez-vous à la section « Réglage de l'image à l'écran » à la page 33.

Vous pouvez également démarrer la fonction Sync. automat. en appuyant sur le bouton Select (Sélectionner) du téléviseur.

Raccordement d'un système audio externe

Vous pouvez raccorder un système audio externe au téléviseur à l'aide des connecteurs de sortie audio pour un signal audio numérique ou analogique :

- Utilisez un câble audio optique et le connecteur (optique) numérique de sortie audio situé à l'arrière du téléviseur pour fournir un signal audio numérique à un système audio externe, tel qu'un récepteur numérique ou un système de son d'ambiance.
- Utilisez un câble audio et les connecteurs gauche/droit de sortie audio situés à l'arrière du téléviseur pour fournir un signal audio analogique à un système audio externe, tel qu'un amplificateur ou un système stéréo analogique.

Le signal source d'entrée et les paramètres du menu Audio sur l'affichage à l'écran déterminent le type de sortie audio. Ce téléviseur ne prend pas en charge l'entrée audio Dolby Digital sur HDMI. Lorsque vous branchez un boîtier décodeur, un lecteur de DVD ou un autre appareil via le connecteur HDMI, définissez la sortie audio de l'appareil sur le format PCM. Pour plus d'informations sur le type de sortie audio, reportez-vous à la section « Explication de la sortie audio » à la page 35.

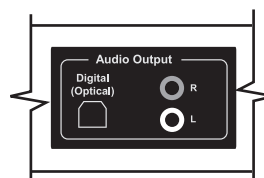


ATTENTION : Mettez le téléviseur et tous autres composants raccordés hors tension avant de raccorder un système audio externe. Veillez à ce que le système audio externe soit mis hors tension.

1 Raccordez le système audio externe au téléviseur :

- Pour une connexion numérique, raccordez un câble audio optique au connecteur (optique) numérique de sortie audio situé à l'arrière du téléviseur et au système audio externe, tel qu'un récepteur numérique ou un système de son d'ambiance.

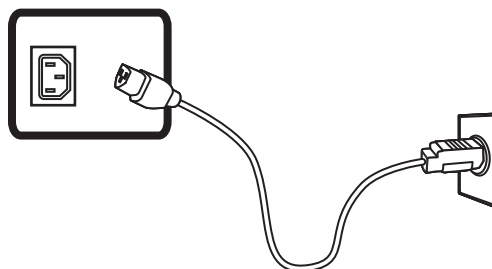
- Pour une connexion analogique, branchez un câble audio aux connecteurs de sortie audio G et D situés à l'arrière du téléviseur et au système audio externe, tel qu'un amplificateur ou un système stéréo analogique.



- 2 Raccordez le cordon d'alimentation au téléviseur. Reportez-vous à la section « Mise sous tension du téléviseur » à la page 18.
- 3 Allumez le téléviseur. Reportez-vous à la section « Mise en marche ou arrêt du téléviseur » à la page 21.
- 4 Branchez l'alimentation et mettez le système audio externe en marche.
- 5 Définissez le format audio numérique dans l'option Digital Audio du menu Audio de l'affichage à l'écran. Reportez-vous à la section « Sélection du mode de sortie audio numérique » à la page 34.
- 6 Si vous le souhaitez, vous pouvez désactiver les haut-parleurs du téléviseur à l'aide de l'option Haut-parleurs du menu Audio de l'affichage à l'écran. Reportez-vous à la section « Utilisation du Menu Audio » à la page 34.

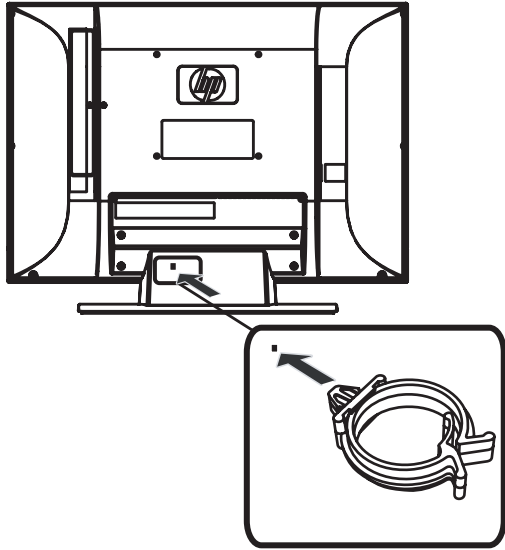
Mise sous tension du téléviseur

- 1 Branchez le cordon d'alimentation au connecteur à l'arrière du téléviseur.



- 2 Branchez le cordon d'alimentation à la prise de courant.

- 3** Munissez-vous du serre-câbles et insérez-le dans le perçage à l'arrière du téléviseur.



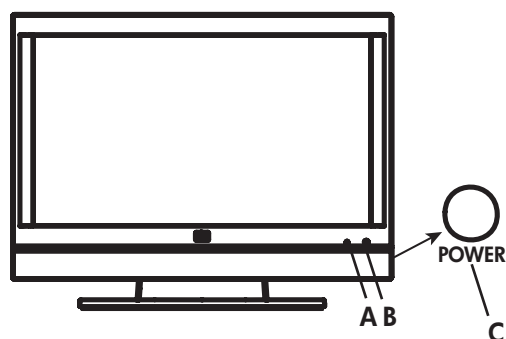
- 4** Menez les câbles au travers du serre-câbles.

Mise en marche du téléviseur

Mise en marche ou arrêt du téléviseur

Le téléviseur est doté d'un bouton d'alimentation à droite du panneau. Vous pouvez également utiliser le bouton d'alimentation de la télécommande pour allumer le téléviseur.

Le fait d'appuyer sur le bouton d'alimentation entraîne la mise en marche ou l'arrêt du téléviseur.



A Témoin d'alimentation

B Télécapteur

C Bouton d'alimentation

Le témoin d'alimentation indique si le téléviseur est allumé ou éteint.

Témoin d'alimentation	État du téléviseur
Voyant bleu	Le téléviseur est éteint, mais branché à la source d'alimentation
Voyant jaune	Le téléviseur se met en marche (le voyant s'éteint après environ 30 secondes)
Off (Désactivé)	Le téléviseur est allumé ou le cordon d'alimentation est débranché
Voyant jaune ou bleu clignotant	Les diagnostics de démarrage sont en cours ou une erreur s'est produite

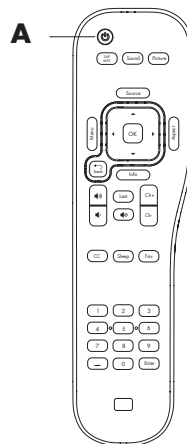


La configuration initiale commence lorsque le téléviseur est mis en marche la première fois. Si le téléviseur a déjà été mis en marche avant cette opération, l'assistant d'installation ne sera pas activé. Pour lancer l'assistant d'installation à partir du menu Configuration de l'affichage à l'écran (OSD), reportez-vous à la section « Lancement de l'assistant d'installation » à la page 44.

Si vous ne regardez pas le téléviseur pendant une période prolongée, appuyez sur le bouton d'alimentation pour éteindre ce dernier, puis débranchez le cordon d'alimentation.

Utilisation de la télécommande pour allumer et éteindre le téléviseur

Dirigez la télécommande vers le télécapteur situé à l'avant du téléviseur, puis appuyez sur le bouton d'alimentation de la télécommande. Le téléviseur s'allume ou s'éteint.



A Bouton d'alimentation de la télécommande

Utilisation de l'assistant d'installation initiale

Installation initiale

Lorsque vous allumez le téléviseur pour la première fois, un assistant d'installation initiale vous guide dans les tâches suivantes :

- Réglage de la langue d'affichage à l'écran.
- Réglage de la date, de l'heure et du fuseau horaire.
- Sélection d'une source de signal.
- Recherche de la source de signal TV (antenne ou câble) et mémorisation des chaînes télévisées disponibles.

Vous pouvez lancer l'assistant d'installation via le menu Configuration de l'affichage à l'écran. Pour cela, reportez-vous à la section « Lancement de l'assistant d'installation » à la page 44.

Préparation

Effectuez les opérations suivantes avant d'appuyer sur le bouton d'alimentation de la télécommande :

- 1 Introduisez les piles dans la télécommande.
- 2 Branchez la source du signal (antenne ou câble) au téléviseur.
- 3 Branchez le cordon d'alimentation à la prise secteur.
- 4 Allumez le téléviseur.

Réglage de la langue d'affichage

- 1 Sélectionnez l'une de ces trois langues : **Anglais**, **Français** ou **Espagnol**.
- 2 Appuyez sur les boutons fléchés vers le haut et vers le bas de la télécommande pour sélectionner la langue désirée, puis appuyez sur le bouton OK.

Réglage de la date, de l'heure et du fuseau horaire

- 1 Appuyez sur les boutons fléchés vers le haut et vers le bas de la télécommande pour sélectionner le champ de date.
- 2 Appuyez sur les boutons fléchés vers le haut et vers le bas de la télécommande pour entrer une année, un mois et un jour.
- 3 Appuyez sur le bouton fléché vers le bas pour sélectionner le champ de fuseau horaire.
- 4 Appuyez sur les boutons fléchés vers la gauche et vers la droite pour modifier le fuseau horaire.
- 5 Appuyez sur le bouton vers le bas pour sélectionner le champ d'heure, puis sur les touches numériques pour entrer l'heure.
- 6 Appuyez sur le bouton fléché vers la gauche, puis sur le bouton fléché vers le bas pour passer de AM à PM, et vice-versa.

Réglage du signal source

- 1 Appuyez sur les boutons fléchés vers le haut et vers le bas de la télécommande pour sélectionner **Antenne** ou **Câble**.
- 2 Appuyez sur le bouton OK pour lancer la recherche des chaînes.

L'opération de recherche des chaînes permet de rechercher automatiquement le signal de toutes les chaînes disponibles.

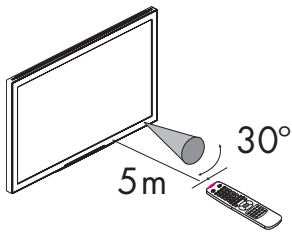


Pour visionner des programmes haute définition, une source de signal de haute définition, telle qu'un signal haute définition par voie hertzienne ou par câble, un boîtier décodeur de réception câble ou satellite, ou un lecteur de DVD haute définition, doit être connectée au téléviseur. Toutes les sources, excepté un signal haute définition par voie hertzienne ou par câble, doivent être branchées aux jeux de connecteurs d'entrée haute définition situés sur le téléviseur.

Contrôle du téléviseur

Utilisation de la télécommande

La télécommande contrôle le téléviseur. Pour utiliser la télécommande, pointez-la vers le télécapteur situé à l'avant du téléviseur.



Maintenez la télécommande à une distance maximale de 5 mètres de la fenêtre du télécapteur placé à l'avant du téléviseur et dans des angles horizontal et vertical de 30 degrés maximum.

Utilisation d'une télécommande universelle

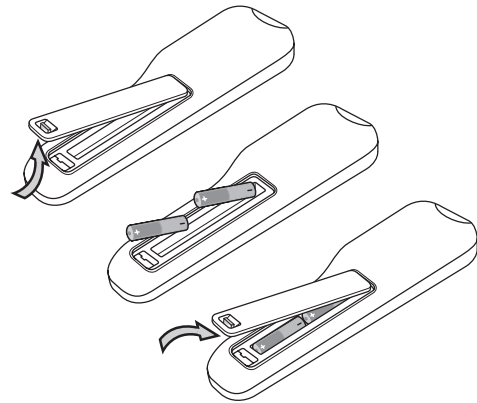
Si vous souhaitez utiliser une télécommande universelle pour contrôler votre téléviseur HP et que HP n'apparaît pas dans les codes de fabricants pris en charge, utilisez un code de téléviseur Philips. La télécommande HP transmet les codes de télécommande Philips.

Après avoir été programmée avec un code de TV Philips, votre télécommande universelle peut contrôler les fonctions du téléviseur HP suivantes : volume, mise en sourdine, alimentation et source d'entrée.

Installation ou remplacement des piles de la télécommande

Insérez deux piles AAA non rechargeables dans la télécommande en veillant à les placer selon la polarité correcte.

- 1 Appuyez sur le capot du compartiment à piles à l'arrière de la télécommande pour l'ouvrir.
- 2 Insérez les piles dans la télécommande et assurez-vous que la polarité est correcte.
- 3 Refermez le capot.



Ne mélangez pas différents types de piles (alcalines et carbone-zinc par exemple) ou de vieilles piles avec des piles neuves.

Assurez-vous que la polarité est correcte lorsque vous placez les piles dans leur compartiment, comme indiqué. Une inversion de la polarité risque d'endommager la télécommande.

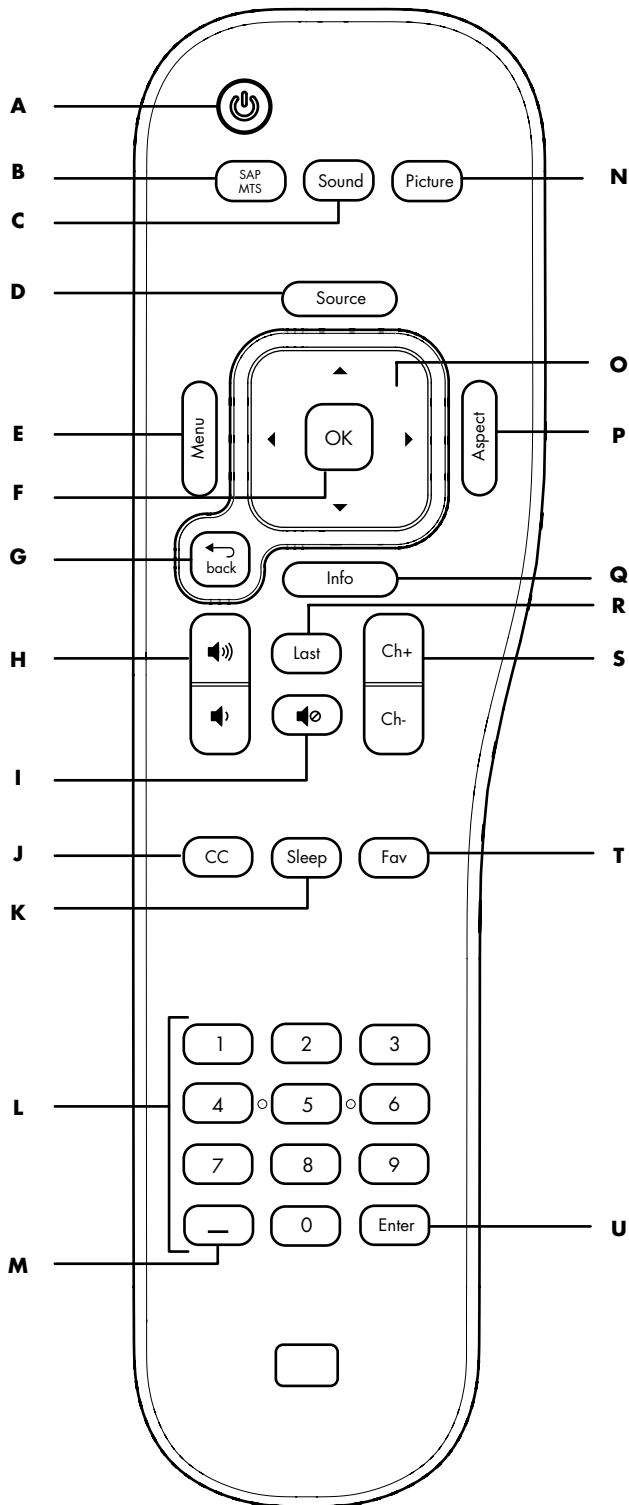
Lorsque vous n'utilisez pas la télécommande pendant une période prolongée, enlevez les piles afin d'éviter tout dommage ou blessure provenant d'une fuite potentielle des piles.



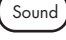
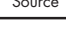
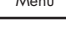

N'essayez pas de recharger des piles non rechargeables, cela peut entraîner un risque de surchauffe et de rupture : Procédez selon les instructions du fabricant des piles.






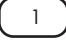



Ôtez toujours les piles qui sont devenues trop faibles. Des piles faibles peuvent couler et endommager gravement la télécommande. La durée de vie des piles dépend de la fréquence d'utilisation de la télécommande. Remplacez les piles dès que le fonctionnement de la télécommande devient anormal.




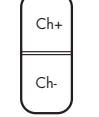
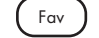

Ne démontez pas les piles, ne les chauffez pas et ne les jetez pas au feu.

Identification des boutons de la télécommande



Nom	Description	Icône
A Alimentation	Ce bouton permet d'allumer ou d'éteindre le téléviseur.	
B SAP/MTS	Ce bouton permet de sélectionner l'une des options du programme audio secondaire (SAP) et du son TV multicanal (MTS).	
C Sound (Son)	Ce bouton permet de sélectionner l'un des modes audio suivants : Voix, Standard, Musique ou Personnalisé.	
D Source	Ce bouton permet d'accéder à une liste des sources d'entrée. Appuyez sur un bouton fléché (O) pour sélectionner la source d'entrée à afficher, puis appuyez sur OK (F). Vous pouvez également appuyer sur le bouton Source pour quitter la liste sans modifier la source.	
E Menu	Ce bouton permet d'accéder au menu d'affichage à l'écran (OSD). Appuyez une nouvelle fois sur le bouton Menu pour quitter le menu et retourner à l'écran du téléviseur.	
F OK	Ce bouton permet de choisir l'option de menu mise en surbrillance.	

Nom	Description (suite)	Icône
G Précédent	Ce bouton permet de retourner à l'affichage précédent d'un menu.	
H Volume	Appuyez sur un bouton de volume pour augmenter (ou diminuer) le niveau sonore.	
I Muet	Ce bouton permet de couper ou de réactiver le son.	
J CC	Ce bouton permet de sélectionner l'un des modes de sous-titrage codé suivants : Arrêt, Marche, Actif si muet.	
K Mise en veille	Ce bouton permet de définir le compteur dans cet ordre : Off (Désactivé), 15, 30, 60, 120 ou 150 minutes.	
L Touches numériques	Utilisez les touches numériques (0 à 9) pour sélectionner directement un numéro de chaîne, puis appuyez sur Entrée (U).	
M - (tiret)	Utilisez la touche - (tiret) pour entrer un tiret de chaîne numérique. Par exemple, chaîne 14-2.	
N Picture (Image)	Ce bouton permet de sélectionner l'un des modes vidéo suivants : Standard, Film, Couleurs vives, Personnalisé.	
O Flèches Haut/Bas/ Gauche/ Droite	Ces flèches vous permettent de déplacer le curseur sur les écrans de menu.	

Nom	Description (suite)	Icône
P Aspect	Ce bouton permet de sélectionner l'une des dimensions suivantes pour l'image télévisée : Auto, 16:9, 4:3, Zoom1, Zoom2, Panorama Les options disponibles varient en fonction de la source d'entrée.	
Q Infos	Ce bouton permet d'afficher une banderole contenant les informations sur le programme en cours.	
R Last (Dernière)	Ce bouton permet de revenir à la chaîne précédemment visionnée.	
S Ch+ Ch-	Ces boutons permettent de sélectionner la chaîne supérieure (ou inférieure) suivante.	
T Fav	Ce bouton permet d'afficher une liste de vos chaînes favorites. Appuyez sur un bouton fléché (O) pour sélectionner une chaîne dans la liste, puis appuyez sur OK (F). Pour ajouter une chaîne à la liste Fav : Sélectionnez la chaîne désirée, appuyez sur le bouton Fav pour accéder à la liste sur une ligne vide (ou appuyez sur un bouton fléché pour sélectionner une entrée à modifier), puis appuyez sur Ch+ (S). La nouvelle chaîne figure maintenant dans la liste Fav.	
U Entrée	Appuyez sur ce bouton après avoir saisi un numéro de chaîne.	

Réglage du volume

Pour augmenter ou diminuer le niveau sonore, appuyez sur :

- Les boutons de volume de la télécommande.



Ou

Les boutons de volume du téléviseur.

La barre d'état sur le téléviseur indique l'augmentation ou la réduction du volume.

Mise en sourdine

- 1 Appuyez sur le bouton Muet de la télécommande pour couper temporairement le son.
- 2 Appuyez une nouvelle fois sur ce bouton pour rétablir le son à son niveau de volume précédent.

Modification du mode Image

Appuyez sur le bouton Picture (Image) de la télécommande pour afficher le mode vidéo actuellement sélectionné. Maintenez-le enfoncé jusqu'à atteindre l'image désirée. Les modes Image sont :

- **Standard** : recommandé dans des conditions de visualisation normale avec un éclairage faible.
- **Film** : recommandé pour regarder des films dans une pièce peu éclairée. Fournit une image douce, comme un film.
- **Couleurs vives** : idéale pour regarder des films dans une pièce bien éclairée, améliore le contraste et la netteté.
- **Personnalisé** : utilise les paramètres personnalisés que vous avez configurés dans le menu OSD. Pour plus d'informations sur la définition des paramètres de l'image, reportez-vous à la section « Utilisation du menu Image » à la page 33.

Changement de chaîne

Pour sélectionner la chaîne supérieure ou inférieure, appuyez sur :

- Les boutons Ch+ ou Ch- de la télécommande.



Ou

Les boutons de changement de chaîne du téléviseur.

Pour sélectionner une autre chaîne, entrez un nombre à un, deux ou trois chiffres, ou bien appuyez sur les boutons fléchés Haut et Bas.

Pour sélectionner une chaîne spécifique (chaîne 25, par exemple), procédez comme suit dans les quatre secondes :

- 1 Appuyez sur la touche 2 de la télécommande.
- 2 Appuyez sur la touche 5.
- 3 Appuyez sur Entrée.

Pour sélectionner un numéro de chaîne numérique spécifique (chaîne 14-2, par exemple), procédez comme suit dans les quatre secondes :

- 1 Appuyez sur la touche 1 de la télécommande.
- 2 Appuyez sur la touche 4.
- 3 Appuyez sur la touche - (tiret).
- 4 Appuyez sur la touche 2.
- 5 Appuyez sur Entrée.

Sélection de la dernière chaîne

Appuyez sur le bouton Précédent de la télécommande pour retourner à la chaîne précédemment visionnée.

Sélection d'une chaîne favorite

Vous pouvez sélectionner rapidement une chaîne favorite à l'aide du bouton Fav de la télécommande.

Appuyez sur le bouton Fav de la télécommande pour afficher une liste de vos chaînes favorites. Appuyez sur un bouton fléché pour sélectionner une chaîne dans la liste, puis appuyez sur OK.

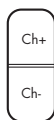
Lors de l'accès initial à la liste des chaînes favorites, ou après avoir utilisé l'assistant d'installation ou la fonction de balayage automatique du menu Canal de l'affichage à l'écran, la liste Fav est vide.

Lors de l'exécution initiale de l'assistant d'installation ou d'un balayage automatique, le téléviseur recherche les sources de signal par câble ou voie hertzienne du téléviseur, identifie toutes les chaînes disponibles, puis les ajoute à la liste des chaînes. Si vous avez ignoré ou annulé une opération au cours de la configuration initiale, et que vous n'avez pas exécuté l'assistant d'installation ou le balayage automatique, la liste de chaînes sera vide. Pour pouvoir ajouter des chaînes à la liste Fav, elles doivent d'abord figurer dans la liste des chaînes.

Pour ajouter une chaîne à la liste Fav :

Si nécessaire, exécutez d'abord l'assistant d'installation ou le balayage automatique dans le menu Canal ; reportez-vous aux sections « Lancement de l'assistant d'installation » à la page 44 ou « Recherche de chaînes » à la page 36.

- 1 Appuyez sur les boutons Ch+ ou Ch- pour sélectionner la chaîne désirée.
- 2 Appuyez sur le bouton Fav. La liste des chaînes favorites s'ouvre sur une ligne vide, si disponible.
- 3 Appuyez sur Ch+ pour utiliser la ligne vide ou sur un bouton fléché pour sélectionner une entrée de chaîne favorite à modifier, puis appuyez sur Ch+.



Affichage des informations sur les programmes

Appuyez sur le bouton Infos de la télécommande pour afficher une banderole contenant des informations sur le programme actuellement visionné.



Parfois, le nom du programme n'est pas indiqué lors de la diffusion. Dans ce cas, le nom du programme ne s'affiche pas.

Sélection de la source d'entrée

- 1 Appuyez sur le bouton Source de la télécommande ou du téléviseur pour accéder à la liste des sources d'entrée.
- 2 Appuyez sur le bouton fléché vers le haut ou vers le bas de la télécommande, ou sur les boutons de changement de chaîne du téléviseur pour sélectionner la source d'entrée à afficher.
- 3 Appuyez sur le bouton OK de la télécommande ou sur le bouton Select (Sélectionner) du téléviseur.

Ou

Appuyez de nouveau sur le bouton Source pour fermer la liste des sources d'entrée sans modifier la source.

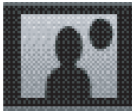
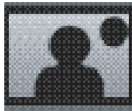
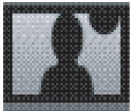
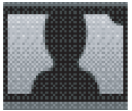
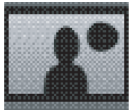
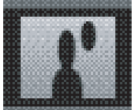
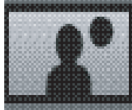

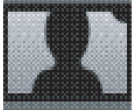
La liste des sources d'entrée identifie un jeu de connecteurs à l'arrière du téléviseur :

- **Antenna or Cable (Antenne ou Câble)** correspond au connecteur d'entrée antenne/câble. L'étiquette affiche la sélection de la source de balayage (antenne ou câble) de la dernière recherche de chaînes effectuée par l'assistant d'installation ou le menu Canal.
- **AV1** correspond au jeu de connecteurs d'entrée AV 1 à définition standard S-vid. ou Vidéo.
- **AV2** correspond au jeu de connecteurs d'entrée AV 2 à définition standard S-vid. ou Vidéo.
- **Component 1 (Composante 1)** correspond au jeu de connecteurs d'entrée 2 en composantes haute définition.
- **Component 2 (Composante 2)** correspond au jeu de connecteurs d'entrée 2 en composantes haute définition.
- **PC** correspond au jeu de connecteurs (VGA) d'entrée PC.
- **HDMI 1** correspond à l'interface HDMI 1 du connecteur d'entrée haute définition numérique.
- **HDMI 2** correspond à l'interface HDMI 2 du connecteur d'entrée haute définition numérique.
- **HDMI 3** correspond à l'interface HDMI 3 du connecteur d'entrée haute définition numérique (certains modèles uniquement).

Vous pouvez modifier toutes les étiquettes, à l'exception de l'étiquette Antenna (Antenne) (ou Cable (Câble)). Utilisez l'option Identification de prises du menu Configuration de l'affichage à l'écran pour modifier l'étiquette dans la liste des sources. Reportez-vous à la section « Modification des identifications de prises » à la page 44.

Modification de l'affichage via le bouton Aspect

Appuyez sur le bouton Aspect de la télécommande pour déterminer les dimensions de l'image TV désirées. Les options disponibles varient en fonction de la source d'entrée actuelle.

Signal d'entrée	Image TV (Aspect)				
	4:3	16:9	Zoom1	Zoom2	Panorama
4:3					
16:9					Non disponible

Les options du menu Aspect sont :

- **Auto** affiche automatiquement le rapport d'affichage approprié en fonction du contenu.
- **16:9** affiche un téléviseur à écran large dans son format enregistré, ou allonge une image d'un rapport 4:3 de façon à ce qu'elle occupe l'écran sans aucune correction de l'aspect central.
- **4:3** affiche l'image au format standard du rapport de l'affichage 4:3 au centre du téléviseur avec des barres sombres à gauche et à droite de l'écran, ou rétrécit horizontalement des images panoramiques.
- **Zoom1** allonge l'image à la verticale. Recommandé pour allonger des films DVD panoramiques afin de réduire ou d'éliminer les lignes foncées horizontales en haut et en bas de l'écran.

- **Zoom2** allonge l'image dans le sens vertical et horizontal, et peut couper les parties supérieure, inférieure et latérales de l'image.
- **Panorama** allonge l'image dans le sens horizontal, si nécessaire, de façon à ce qu'elle occupe tout l'écran et la correction d'aspect est appliquée au centre de l'écran. Approprié pour allonger une image au format standard 4:3 en pleine largeur.



Si la source d'entrée est HDMI, le mode Panorama n'est pas disponible. Si la source d'entrée est PC, les modes Zoom1, Zoom2 et Panorama ne sont pas disponibles.



Certaines stations émettent des programmes de définition standard directement au rapport d'affichage 16:9 de sorte que l'image contient des barres latérales foncées incorporées. Pour ce type de signal d'entrée, le mode Panorama n'est pas disponible, et les modes Zoom 1 et Zoom 2 n'éliminent pas ces barres.

Utilisez l'option Aspect Ratio (Rapport d'affichage) du menu Image de l'affichage à l'écran pour définir l'aspect par défaut. Pour cela, reportez-vous à la section « Utilisation du menu Image » à la page 33.

Activation des sous-titres

Appuyez sur le bouton CC de la télécommande pour sélectionner l'option de sous-titrage désirée :

- **Marche** : active les sous-titres.
- **Arrêt** : désactive les sous-titres.
- **Actif si muet** : affiche les sous-titres lorsque le son est mis en sourdine (le bouton Muet est enfoncé).

Pour configurer vos préférences de sous-titres, reportez-vous à la section « Utilisation du menu Caption (Closed Caption) (Sous-titrage (Sous-titrage codé)) » à la page 43.

Réglage du mode stéréo SAP/MTS

Appuyez sur le bouton SAP/MTS de la télécommande pour afficher l'option de programme audio secondaire (SAP)/son TV multicanal (MTS) actuellement sélectionnée. Maintenez le bouton enfoncé pour afficher les options disponibles.

SAP reçoit un son mono, un son stéréo et les programmes audio secondaires. La fonction MTS permet à une station de télévision de diffuser d'autres informations, telles que des informations dans d'autres langues ou des informations sur la météo.

Pour les chaînes analogiques, les options SAP/MTS sont Stereo (Stéréo), Mono et SAP (si disponible). Pour les chaînes numériques, les options SAP/MTS sont Anglais, Français et Espagnol (si disponible).

Vous pouvez profiter le cas échéant du son stéréo haute fidélité ou des émissions SAP :

- **Émissions en stéréo** : vous pouvez écouter, en direct et avec un son stéréo dynamique, des événements sportifs, des spectacles et des concerts.
- **Émissions SAP** : choisissez entre un son Main (Principal) et un son SAP :
 - **Son Main (Principal)** : permet d'écouter la bande son d'origine du programme en mode mono ou stéréo.
 - **Son SAP** : permet de suivre le programme dans une autre langue, d'écouter des commentaires et d'autres informations en mode mono.

Si le son stéréo est de mauvaise qualité, vous pouvez obtenir un son plus clair en basculant manuellement vers le mode mono fixe.



MTS ne fonctionne que si le téléviseur est en mode TV.

Changement de mode Audio

Appuyez sur le bouton Sound (Son) de la télécommande pour afficher le mode audio actuellement sélectionné. Maintenez-le enfoncé jusqu'à atteindre le son désiré.

Pour plus d'informations sur le mode audio et le réglage de l'option Personnalisé, reportez-vous à la section « Réglage des options audio » à la page 34.

Réglage de la minuterie d'extinction

Appuyez sur le bouton Mise en veille de la télécommande pour démarrer un compte à rebours à la fin duquel le téléviseur s'éteindra. Maintenez-le enfoncé jusqu'à atteindre l'heure désirée.

Si vous réglez la minuterie d'extinction sur 30, votre téléviseur s'éteindra au bout de 30 minutes.

Minutes	Description
15	Règle la minuterie sur 15 minutes.
30	Règle la minuterie sur 30 minutes.
60	Règle la minuterie sur 60 minutes.
120	Règle la minuterie sur 120 minutes.
150	Règle la minuterie sur 150 minutes.
Off (Désactivé)	Désactive la minuterie d'extinction.

Réglage des paramètres du téléviseur

Utilisez l'affichage à l'écran pour ajuster l'image, le son et d'autres paramètres. Pour plus d'informations, reportez-vous à la section « Utilisation des menus OSD » à la page 31.

Activation et désactivation de l'affichage à l'écran (OSD)

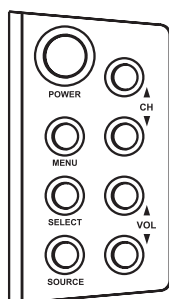
Appuyez sur le bouton Menu de la télécommande ou du téléviseur pour afficher le menu OSD. Appuyez de nouveau sur ce bouton pour quitter le menu affiché et retourner à l'écran du téléviseur. Dans un sous-menu, le fait d'appuyer sur le bouton Précédent de la télécommande ou sur le bouton Source du téléviseur permet de remonter d'un niveau dans le menu.

Modification des paramètres du téléviseur

Vous pouvez modifier les paramètres du téléviseur via les menus d'affichage à l'écran (OSD).

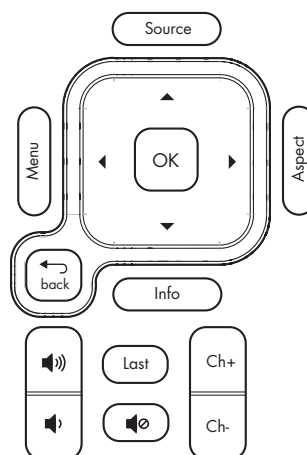
Utilisation des menus OSD





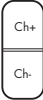


Pour accéder aux menus OSD, utilisez les boutons du téléviseur ou de la télécommande pour sélectionner, ajuster et entrer les éléments spécifiés dans cette section.



Téléviseur (partie latérale)	Description
MENU	Le bouton Menu permet d'afficher (ou de fermer) l'affichage à l'écran.
SELECT (Sélectionner)	Le bouton Select (Sélectionner) permet de sélectionner l'élément mis en surbrillance dans l'affichage à l'écran.

Téléviseur (partie latérale)	Description (suite)
SOURCE	Le bouton Source permet de sélectionner la source d'entrée. Appuyez sur ce bouton pour ouvrir la liste des sources d'entrée. Appuyez sur les boutons de changement de chaîne (CH) pour sélectionner la source d'entrée à afficher, puis appuyez sur Select (Sélectionner). Appuyez sur Source pour fermer la liste. Sélectionnez la source d'entrée avant d'ouvrir l'affichage à l'écran. Dans un menu OSD, ce bouton sert de bouton Précédent pour passer à l'élément ou au niveau de menu supérieur.
▲ CH ▼	Les boutons de changement de chaîne permettent de se déplacer vers le haut ou vers le bas dans le menu.
▲ VOL ▼	Les boutons de volume permettent de se déplacer vers la droite ou la gauche dans le menu, ou d'ajuster un élément.



Télécommande	Description
	Le bouton Menu permet d'afficher (ou de fermer) l'affichage à l'écran.
	Le bouton OK permet de sélectionner l'option mise en surbrillance dans l'affichage à l'écran.
	Les boutons fléchés permettent de se déplacer vers le haut, le bas, la gauche ou la droite des menus.
	Les boutons de volume permettent d'ajuster le niveau sonore ou un élément.
	Les boutons de changement de chaîne permettent de passer à la chaîne suivante ou de revenir à la chaîne précédente.
	Le bouton Source permet de sélectionner la source d'entrée. Appuyez sur ce bouton pour ouvrir la liste des sources d'entrée. Appuyez sur le bouton fléché pour sélectionner la source d'entrée à afficher, puis appuyez sur OK. Sélectionnez la source d'entrée avant d'ouvrir l'affichage à l'écran.
	Le bouton Précédent permet de remonter d'un élément ou d'un niveau dans le menu.

Vous pouvez accéder aux menus OSD à l'aide des boutons de la télécommande ou du téléviseur. Pour une description des boutons, reportez-vous aux tableaux précédents.

- 1 Appuyez sur le bouton Source pour sélectionner la source du signal d'entrée du téléviseur. Les menus OSD et les options affichées dépendent de la source d'entrée active.
- 2 Appuyez sur le bouton Menu pour accéder au menu d'affichage à l'écran (OSD). Les menus disponibles s'affichent sous forme de liste.

- 3 Appuyez sur les touches directionnelles (boutons fléchés de la télécommande ou encore les boutons de changement de chaîne et de volume du téléviseur) pour mettre le menu désiré en surbrillance, puis appuyez sur le bouton OK de la télécommande ou le bouton Select du téléviseur.
- 4 Utilisez les touches directionnelles pour naviguer dans le menu et mettre une option en surbrillance, puis appuyez sur le bouton OK de la télécommande ou le bouton Select (Sélectionner) du téléviseur pour accéder à l'option.
- 5 Continuez à utiliser les touches directionnelles pour sélectionner et ajuster un élément, et le bouton OK ou Select (Sélectionner) pour entrer la modification. Pour quitter une option, ou pour remonter d'un niveau de menu, appuyez sur le bouton Précédent de la télécommande ou sur le bouton Source du téléviseur.
- 6 Lorsque vous avez terminé, utilisez le bouton Menu pour quitter le menu OSD.

Les menus OSD sont les suivants :

- Picture (Image)
- Audio
- Canal
- Parental (Contrôle)
- Configuration (y compris le sous-titrage codé)
- SimpleMenu/Full complet (Menu simple/Menu complet)

Notez que SimpleMenu (Menu simple) apparaît dans la liste des menus lorsque la liste complète des options de menu s'affiche. Sélectionnez **SimpleMenu (Menu simple)** pour afficher un menu réduit indiquant uniquement les options de menu les plus fréquemment utilisées (une fois l'opération terminée, le menu complet apparaît dans la liste de menus. Sélectionnez de nouveau l'option pour afficher la liste complète des options de menu).

Pour chacune des rubriques suivantes, un tableau répertorie chaque menu OSD et les options disponibles.

Utilisation du menu Image

Le menu Image contrôle l'apparence, à l'écran, de l'image de la source d'entrée sélectionnée. Par exemple, lorsque vous ajustez la luminosité, l'image à l'écran change en fonction du réglage de l'échelle.

Comme le menu Image comporte les paramètres de chaque entrée, sélectionnez (vue) de la source d'entrée, puis effectuez les changements dans le menu Image.

Le tableau suivant illustre le menu Image d'une source AV. Lorsqu'un ordinateur est la source d'entrée, utilisez le menu Picture Screen (Écran image) pour régler les paramètres de l'image, notamment la fonction Sync. automat.

Menu Image	Options
Mode	Couleurs vives/Standard/ Film/Personnalisé Les options en mode Personnalisé sont les suivantes : <ul style="list-style-type: none">■ Luminosité■ Contraste■ Saturation■ Teinte■ Netteté
Température couleur	Froide/Standard/Chaude
Rapport d'affichage	Auto/16:9/4:3/Zoom1/ Zoom2/Panorama
Picture Screen (Écran image)	<ul style="list-style-type: none">■ Dimension H (taille horizontale)■ Position H (position horizontale)■ Dimension V (taille verticale)■ Position V (position verticale)■ Réglage de phase■ Réglage de l'horloge■ Sync. automat.■ Défaut

Réglage des paramètres de l'image

Réglage des paramètres de l'image AV

Les options suivantes permettent de régler l'image AV visionnée. Par conséquent, sélectionnez la source d'entrée AV appropriée avant de modifier les valeurs.

- **Mode** permet de définir les réglages de l'image sur les valeurs prédéfinies **Standard**, **Film**, **Couleurs vives** ou **Personnalisé**. Le mode Personnalisé permet un réglage individuel des options suivantes :
 - **Luminosité** : règle la luminosité de l'image.
 - **Contraste** : règle le contraste de l'image.
 - **Saturation** : règle l'intensité des couleurs de l'image.
 - **Teinte** : règle les tons. Si on réduit la valeur, le ton de chair devient plus rouge, si on l'augmente, le ton de chair devient plus bleu ;
 - **Netteté** : règle la netteté de l'image.
- **Température couleur** permet de sélectionner différents paramètres de température de couleur : **Froide**, **Standard** et **Chaude**.
- **Rapport d'affichage** permet de définir les dimensions par défaut de l'image télévisée. Pour plus d'informations, reportez-vous à la section « Modification de l'affichage via le bouton Aspect » à la page 28.
- **Picture Screen (Écran image)** inclut des options permettant de régler l'image à partir du connecteur d'entrée PC. Reportez-vous à la section « Réglage de l'image à l'écran » à la page 33.

Réglage de l'image à l'écran

Les options suivantes permettent d'ajuster l'image à partir du connecteur d'entrée PC ; le menu Picture Screen (Écran image) est indisponible si aucun ordinateur n'est connecté :

- L'option **Dimension H** permet de régler la taille horizontale de l'image.
- L'option **Position H** permet de régler la position horizontale de l'image.
- L'option **Dimension V** permet de régler la taille verticale de l'image.
- L'option **Position V** permet de régler la position verticale de l'image.

- L'option **Réglage de phase** permet de régler la phase de l'horloge utilisée pour synchroniser l'image.
- L'option **Réglage de l'horloge** permet de régler l'horloge utilisée pour synchroniser l'image.
- Le bouton **Sync. automat.** lance la synchronisation automatique de l'image.
- Le bouton **Défaut** rétablit les valeurs par défaut de toutes les options du menu Picture Screen (Écran image).

Utilisation du Menu Audio

Le menu Audio définit les niveaux sonores, le mode pour le signal de sortie audio numérique et les éléments sonores.

Menu audio	Options
Mode	Voix/Standard/Musique/Personnalisé Les options en mode Personnalisé sont les suivantes : <ul style="list-style-type: none"> ■ Aigus ■ Graves
Équilibre	(réglage du son de gauche à droite)
Auto Volume (Volume auto)	On/Off (Activé/Désactivé)
SAP/MTS	<ul style="list-style-type: none"> ■ Mono/Stereo/SAP (Mono/Stéréo/SAP) ■ Anglais/Français/Espagnol
Digital Audio (Audio numérique)	Dolby Digital/PCM
Virtual Surround (Son d'ambiance virtuel)	Off/Theater/Music Hall (Désactivé/Cinéma/Music-hall)
Haut-parleur	On/Off (Activé/Désactivé)

Réglage des options audio

- **Mode** permet de définir les réglages audio sur les valeurs prédéfinies **Voix, Standard, Musique** ou sur **Personnalisé**. Le mode Personnalisé permet de régler individuellement les valeurs des aigus et des graves.
- **Équilibre** permet de définir la distribution du son entre les haut-parleurs.
- **Auto Volume (Volume auto.)** permet d'activer ou de désactiver le réglage automatique du volume.
- **SAP/MTS** permet de sélectionner le mode et la langue par défaut des programmes audio secondaires. Reportez-vous à la section « Réglage du mode stéréo SAP/MTS » à la page 29.
- **Digital Audio (Audio numérique)** permet de définir le mode pour le signal transmis sur le connecteur de sortie audio numérique. Reportez-vous à la section « Sélection du mode de sortie audio numérique » à la page 34.
- **Virtual Surround (Son d'ambiance virtuel)** permet de sélectionner une option pour le son d'ambiance émulé à partir des haut-parleurs du téléviseur. « Sélection du son d'ambiance virtuel » à la page 35.
- **Haut-parleur** permet d'activer ou de désactiver les haut-parleurs du téléviseur. Il sera peut-être souhaitable de désactiver les haut-parleurs du téléviseur en cas de branchement d'un système de son externe en option. Reportez-vous à la section « Explication de la sortie audio » à la page 35.

Sélection du mode de sortie audio numérique

Vous devez regarder une chaîne de télévision numérique pour accéder à l'option Digital Audio (Audio numérique) du menu Audio. Cette option définit le format du signal transmis sur le connecteur de sortie audio (optique) numérique à l'arrière du téléviseur. Dolby Digital ou PCM. Sélectionnez **PCM** si votre système audio numérique externe ne prend pas en charge le son d'ambiance. Reportez-vous à la section « Explication de la sortie audio » à la page 35.

Sélection du son d'ambiance virtuel

Vous pouvez profiter du son d'ambiance émulé des haut-parleurs du téléviseur. Pour ce faire, sélectionnez le mode désiré dans l'option Virtual Surround (Son d'ambiance virtuel) du menu Audio : **Theater (Cinéma)** ou **Music Hall (Music-hall)**.

Explication de la sortie audio

Le signal source d'entrée et les paramètres du menu Audio pour les options Digital Audio (Audio numérique) et Haut-parleur détermine le type de sortie audio émanant des haut-parleurs ou du système audio externe connecté au téléviseur.

Par exemple, si vous branchez un système audio externe via le connecteur (optique) numérique, il reproduit un son numérique lorsque vous visionnez un programme télévisé numérique. Le format du signal numérique fourni par le téléviseur varie en fonction du paramètre Digital Audio (Audio numérique) (Dolby Digital ou PCM).

Ce téléviseur ne prend pas en charge l'entrée audio Dolby Digital sur HDMI. Lorsque vous branchez un boîtier décodeur, un lecteur de DVD ou un autre appareil via l'interface HDMI, définissez la sortie audio de l'appareil sur le format PCM.

Le tableau suivant indique les dépendances de la sortie audio et la sortie résultante.

Source d'entrée	Sortie audio sur les haut-parleurs du téléviseur (menu Audio/Haut-parleur : Activé)	Sortie audio sur le connecteur (optique) numérique : (Menu Audio/Digital Audio (Audio numérique))	Sortie audio sur les connecteurs analogiques G et D
Tuner TV, canal analogique	Stéréo 2 canaux	PCM	Stéréo 2 canaux
Tuner TV, canal numérique	Stéréo 2 canaux	PCM ou Dolby Digital	Stéréo 2 canaux
HDMI, format PCM	Stéréo 2 canaux	Aucune	Stéréo 2 canaux
HDMI, format Dolby Digital	Aucune	Aucune	Aucune
Composant	Stéréo 2 canaux	PCM	Stéréo 2 canaux
AV (S-vidéo ou Vidéo)	Stéréo 2 canaux	PCM	Stéréo 2 canaux
Audio PC	Stéréo 2 canaux	PCM	Stéréo 2 canaux

Utilisation du Menu Canal

Si vous n'avez pas exécuté l'assistant d'installation ou si l'installation initiale n'est pas parvenue à trouver toutes les chaînes disponibles, utilisez ce menu pour effectuer un balayage automatique ou manuel et trouver des chaînes. Le balayage continue jusqu'à ce que toutes les chaînes aient été identifiées ou confirmées sans signal.

Ce menu permet de modifier la liste des chaînes de programmes pour sauter une chaîne lorsque vous utilisez les boutons de changement de chaîne de la télécommande ou du téléviseur.

Menu Canal	Options
Auto Scan (Balayage automatique)	Antenne/Câble
Channel List (Liste des chaînes)	Show/Hide (Afficher/ Masquer)
Signal Strength (Force du signal)	Indique la force du signal d'une chaîne numérique sous forme de graphique à barres.

Recherche de chaînes

Dans le menu Auto Scan (Balayage automatique), lancez une recherche automatique des chaînes en sélectionnant la source de balayage **Antenne** ou **Câble** et en appuyant sur le bouton OK. Sélectionnez ensuite **Oui** et appuyez sur OK pour démarrer le balayage des chaînes.

Le balayage continue jusqu'à ce que toutes les chaînes aient été identifiées ou confirmées sans signal. Vous pouvez interrompre la recherche à l'aide du bouton **Annuler** à l'écran, et en appuyant sur le bouton OK ou Précédent de la télécommande.

Modification de la liste des chaînes

Le menu Channel List (Liste des chaînes) permet de modifier la liste des chaînes de programmes pour sauter (masquer) une chaîne lorsque vous utilisez les boutons de changement de chaîne de la télécommande ou du téléviseur.

Pour modifier la liste des chaînes pour sauter une chaîne :

- 1 Dans le menu Canal, appuyez sur les boutons fléchés pour sélectionner **Channel List (Liste des chaînes)**, puis appuyez sur OK.
- 2 Appuyez sur les boutons fléchés pour sélectionner la chaîne. Vous pouvez appuyer sur un bouton de changement de chaîne (CH) pour passer à la page suivante ou revenir à la page précédente de la liste.
- 3 Appuyez sur OK. Le téléviseur passe à la chaîne choisie.
- 4 Appuyez sur le bouton Mise en veille. La liste des chaînes répertorie à présent la chaîne comme Masqué et celle-ci est ignorée lorsque vous la sélectionnez à l'aide des boutons de changement de chaîne.

Pour modifier la liste des chaînes afin d'afficher une chaîne actuellement masquée, effectuez la même procédure en sélectionnant une chaîne masquée et en appuyant sur le bouton Mise en veille pour l'afficher.

Utilisation du menu Parental (Contrôle)

Le menu Parental (Contrôle) active et définit les contrôles parentaux pour la télévision et les films. Utilisez-le pour sélectionner un mot de passe et définir les valeurs du contrôle parental en fonction de la classification TV, du contenu TV et de la notation des films.

Menu Parental	Options
Modifier le mot de passe	<ul style="list-style-type: none"> ■ Mot de passe ■ Confirmer le mot de passe
Activer	On/Off (Activé/Désactivé)
MPAA (notation des films par la Motion Picture Association of America)	<ul style="list-style-type: none"> ■ G ■ PG ■ PG-13 ■ R ■ NC-17 ■ X ■ NR
Notation de la télévision américaine	Tableau de recommandations en fonction de l'âge et du contenu

Menu Parental	Options (suite)
Canadian English (Canadien anglais)	<ul style="list-style-type: none"> ■ E ■ C ■ C8+ ■ G ■ PG ■ 14+ ■ 18+
Canadian French (Canadien français)	<ul style="list-style-type: none"> ■ E ■ G ■ 8 ans + ■ 13 ans + ■ 16 ans + ■ 18 ans +

Utilisation du mot de passe

Le menu Parental (Contrôle) vous permet d'utiliser un mot de passe pour empêcher la modification accidentelle de certains paramètres.



IMPORTANT : Les conditions suivantes doivent être remplies pour activer le contrôle parental :

- Le mot de passe est défini.
- Les réglages de recommandation ont été effectués.

Entrez le mot de passe à l'invite.

Définition d'un mot de passe

- 1 Dans le menu OSD principal, sélectionnez **Parental** (Contrôle), puis appuyez sur le bouton OK (si un mot de passe a été précédemment défini, saisissez le mot de passe à l'invite).
- 2 Sélectionnez **Modifier le mot de passe**, puis appuyez sur OK.
- 3 Entrez un (nouveau) numéro secret à quatre chiffres en utilisant les touches 0 à 9 de la télécommande. Entrez une nouvelle fois ces chiffres pour confirmer le mot de passe, puis appuyez sur OK.



À titre de précaution, notez votre mot de passe et conservez-le en lieu sûr.

Dans le menu Parental (Contrôle), sélectionnez **Activer**, appuyez sur OK, sélectionnez **On (Activé)**, puis appuyez sur OK. Vous pouvez maintenant accéder aux autres menus et définir les contrôles parentaux. Reportez-vous à la section « Réglage du contrôle parental » à la page 37.



IMPORTANT : En cas de perte ou d'omission du mot de passe, entrez le mot de passe maître suivant : MTS, 4, 8, 1

Réglage du contrôle parental

Le contrôle parental utilise un V-Chip, dispositif de filtrage électronique intégré dans votre téléviseur. Cet outil donne aux parents une marge élevée de contrôle sur les émissions auxquelles leurs enfants sont susceptibles d'accéder. Il permet aux parents d'autoriser les programmes jugés adéquats pour les enfants, tout en bloquant ceux considérés comme inadaptés. Ceci se fait automatiquement, une fois que vous avez sélectionné un mot de passe et défini les paramètres de contrôle parental.

Les États-Unis disposent de deux systèmes de notation pour signaler le contenu des programmes : les TV Parental Guidelines ou recommandations parentales sur les programmes télévisés (US TV Rating) et la notation des films :

- Les recommandations parentales sur les programmes télévisés permettent aux parents d'écarter les émissions télévisées inappropriées pour les enfants.
- La notation des films est utilisée pour les films inédits notés par l'association Motion Picture Association of America (MPAA) et diffusés sur le câble avant d'être diffusés à la télévision. Des options peuvent également être définies pour bloquer les films en fonction de leur notation par l'association MPAA.

Système volontaire de notation des films (MPAA)

Dans le menu Parental (Contrôle), sélectionnez **MPAA**, puis appuyez sur OK. Ajustez l'élément.

Le paramètre bloque automatiquement tout programme dont les notations sont supérieures à votre sélection.

Notation MPAA		Description
Âge	G	Grand public. Pour tous les âges.
	PG	Surveillance parentale recommandée. Certaines diffusions ne sont pas recommandées aux enfants.
	PG-13	Surveillance parentale fortement recommandée. Certaines diffusions peuvent être peu recommandables pour les enfants âgés de moins de 13 ans.
	R	Restreint. Les enfants âgés de moins de 17 ans ne sont admis que s'ils sont accompagnés d'un de leurs parents ou d'un adulte (cet âge varie selon les juridictions).
	NC-17	Les enfants âgés de 17 ans ou moins ne sont pas admis.
	X	La classe X est une notation ancienne qui a été fusionnée avec la classe NC-17, mais elle est encore mentionnée dans les données de certains films anciens.
	NR	Non classé.

Exemple :

Si vous sélectionnez **PG-13**, les programmes avec les notations les plus strictes comme R, NC-17 et X sont automatiquement bloqués.



Le système volontaire de notation des films utilise uniquement une classification par âge.

Notation de la télévision américaine

Dans le menu Parental (Contrôle), sélectionnez **US TV Rating (système de notation américain de la télévision)**, puis appuyez sur OK. Ajustez l'élément.

Le paramètre bloque automatiquement tout programme dont les notations sont supérieures à votre sélection.

Vous pouvez également effectuer un réglage des notations en fonction de chaque contenu de programme.

Notation TV		Contenu				
		FV (Fantastique avec violence)	S (Scènes de rapports sexuels)	L (Langage adulte)	V (Violence)	D (Dialogues à connotation sexuelle)
Âge recommandé	TV-Y (tous les enfants)					
	TV-Y7 (destiné à des enfants plus âgés)	La classification peut être paramétrée.				
	TV-G (grand public)					
	TV-PG (Surveillance parentale recommandée)		La classification peut être paramétrée.	La classification peut être paramétrée.	La classification peut être paramétrée.	La classification peut être paramétrée.
	TV-14 (Surveillance parentale fortement recommandée)		La classification peut être paramétrée.	La classification peut être paramétrée.	La classification peut être paramétrée.	La classification peut être paramétrée.
	TV-MA (public adulte uniquement)		La classification peut être paramétrée.	La classification peut être paramétrée.	La classification peut être paramétrée.	

Systèmes de notation canadiens

Les systèmes de notation du Canada sont basés sur la politique de la Commission Canadienne de Radio - Télévision et de Télécommunications (CRTC) sur la violence dans les programmes télévisés.

Si la violence constitue le principal élément de la notation, celle-ci tient également compte d'autres parties du contenu, comme le langage, la nudité, la sexualité et les thèmes pour adultes.

Lorsque vous réglez le contrôle sur les systèmes de notation canadiens, vous pouvez sélectionner les notations canadiennes anglaise ou française.

Notations canadiennes anglaises

Notation		Description de la notation canadienne anglaise
Âge	E	Non classée : inclut les actualités, les sports, les documentaires et les autres émissions d'information.
	C	Enfants : destiné aux jeunes enfants de moins de 8 ans. Apporte une attention particulière aux thèmes pouvant menacer leur sens de la sécurité et leur bien-être.
	C8+	Enfants de plus de 8 ans : ne contient pas de scène de violence en tant que moyen préféré, acceptable ou unique pour résoudre un conflit et n'encourage pas non plus les enfants à imiter les actes dangereux qu'ils ont pu voir à l'écran.
	G	Grand public : considéré comme acceptable pour tous les groupes d'âge. Peut être regardé par toute la famille, contient très peu de violence physique, verbale ou émotionnelle.
	PG	Recommandation parentale : destiné au grand public mais peut ne pas convenir aux jeunes enfants (de moins de 8 ans), car il peut contenir des thèmes ou des questions controversées.
	14+	Plus de 14 ans : peut contenir des thèmes où la violence est l'un des éléments prédominants de l'histoire, mais elle fait partie du développement de l'intrigue ou du personnage. Le langage utilisé peut être cru et des scènes de nudité sont montrées dans le contexte du thème.
	18+	Adultes : destiné aux spectateurs de 18 ans et plus et pouvant contenir des scènes de violence qui, tout en étant en relation avec le développement de l'intrigue, du personnage ou des thèmes, s'adressent exclusivement aux adultes. Peut contenir du langage obscène et des scènes de sexe et de nudité.

Notations canadiennes françaises

Notation		Description de la notation canadienne française
Âge	E	Émission non classée.
	G	Grand public : pour tous les âges et les enfants, contient un minimum de violence directe, mais elle peut être intégrée à l'intrigue de manière humoristique ou fantaisiste.
	8 ans +	Grand public mais déconseillé aux jeunes enfants : peut être regardé par un large public mais peut contenir des scènes pouvant perturber les enfants de moins de 8 ans qui ne peuvent pas faire la distinction entre les situations imaginaires et la réalité. Il est recommandé de regarder ces programmes avec les parents.
	13 ans +	Plus de 13 ans : peut contenir des scènes de violence fréquentes qu'il est préférable de regarder avec les parents.
	16 ans +	Plus de 16 ans : peut contenir des scènes de violence fréquente et de violence intense.
	18 ans +	Plus de 18 ans : réservé aux adultes. Peut contenir des scènes de violence fréquente et de violence extrême.

Désactivation temporaire du blocage d'un programme

Lorsque le contrôle parental bloque un programme, le message suivant s'affiche.

Pour désactiver le blocage du programme :

- 1 Appuyez sur OK. Le menu de configuration du mot de passe s'affiche.
- 2 Entrez votre mot de passe à quatre chiffres pour désactiver temporairement le blocage du programme.

Réactivation du contrôle parental après une désactivation temporaire

Vous pouvez réactiver le contrôle parental provisoirement désactivé, en procédant de l'une des manières suivantes :

- Dans le menu Parental (Contrôle), sélectionnez le paramètre de notation (**MPAA, US TV Rating (Système de notation américain de la télévision), Canadian English (Canadien anglais) ou Canadian French (Canadien français)**).
- Mettez le téléviseur hors tension.

Utilisation du menu Configuration

Vous pouvez utiliser le menu Configuration pour définir les options d'heure et de sous-titrage codé, sélectionner la langue pour les menus OSD, lancer l'assistant d'installation, rétablir les valeurs par défaut des paramètres d'affichage à l'écran, et modifier les étiquettes d'entrée pour la liste des sources.

Menu Configuration	Options
Heure	<ul style="list-style-type: none"> ■ Mode Horloge : Auto/Manuel ■ Réglage de l'horloge ■ Fuseau horaire (uniquement pour le mode Automatique) ■ Heure d'été (uniquement pour le mode Automatique) ■ Minuterie d'extinction : Off/15 min/30 min/60 min/120 min/150 min (Désactivé/15 mn/30 mn/60 mn/120 mn/150 mn)
Caption (Closed Caption) (Sous-titrage (Sous-titrage codé))	<ul style="list-style-type: none"> ■ Mode ■ Service Analog (Service analogique) ■ Service Digital (Service numérique) ■ Style
Langue de l'affichage à l'écran	Anglais/Français/Espagnol
Assistant d'installation	Démarrer
Identification de prises	<sélection>
Paramètres par défaut	Appuyez sur OK pour rétablir les valeurs par défaut de tous les paramètres.

Utilisation du menu Heure

Le menu Heure définit le mode pour la date et l'heure, ainsi que la minuterie d'extinction.

Menu Heure	Options
Mode Horloge	Auto/Manuel
Réglage de l'horloge	<ul style="list-style-type: none"> ■ Mois, Jour, Année ■ Hour, Min, AM/PM (Heure, Minute, Matin/Soir)
Fuseau horaire (uniquement pour le mode Automatique)	NST/AST/EST/CST/MST/PST/AKST/HST
Heure d'été (uniquement pour le mode Automatique)	On/Off (Activé/Désactivé)
Minuterie d'extinction	Off/15 min/30 min/60 min/120 min/150 min (Désactivé/15 mn/30 mn/60 mn/120 mn/150 mn)

- **Mode Horloge** définit le mode Horloge sur Auto ou Manuel. Vous définissez la date et l'heure initiales pour le téléviseur durant l'exécution de l'assistant d'installation, ou dans ce menu en sélectionnant le mode Horloge **manuel**, puis en appuyant sur le bouton OK.
- **Réglage de l'horloge** définit uniquement la date et l'heure du mode Horloge manuel. Pour passer du champ AM (Matin) à PM (Soir), appuyez sur le bouton fléché vers la gauche, puis appuyez sur le bouton fléché vers le bas.
- **Fuseau horaire** définit le fuseau horaire pour le mode Horloge automatique, telle que l'heure CST (Central Standard Time) ou PST (Pacific Standard Time).
- **Heure d'été** définit une option pour le mode Horloge automatique.
- **Minuterie d'extinction** définit les minutes devant s'écouler avant que le téléviseur ne s'éteigne. Vous pouvez également définir la minuterie d'extinction à l'aide du bouton Mise en veille de la télécommande.

Utilisation du menu Caption (Closed Caption) (Sous-titrage (Sous-titrage codé))

Menu Sous-titrage

Vous pouvez utiliser ce menu pour activer ou désactiver le sous-titrage, et pour sélectionner les options. Vous pouvez également activer ou désactiver le sous-titrage à l'aide du bouton CC de la télécommande.

Menu Caption (Closed Caption) (Sous-titrage (Sous-titrage codé))	Options
Mode	Arrêt/Marche/Actif si muet)
Service Analog (Service analogique)	■ CC1/CC2/CC3/CC4 ■ Text1/Text2/Text3/Text4
Service Digital (Service numérique)	Service1/Service2/ Service3/Service4/ Service5/Service6
Style	■ Style de police ■ Taille de police ■ Couleur d'avant-plan ■ Couleur d'arrière-plan ■ Opacité d'avant-plan ■ Opacité d'arrière-plan ■ Edge Style (Style de bordure)

Votre téléviseur est équipé d'un décodeur de sous-titres codés vous permettant de visionner des conversations, la narration et des effets sonores sous forme de sous-titres. Le sous-titrage codé est disponible sur certains programmes télévisés et certaines cassettes vidéo VHS, au choix du fournisseur de programme.

Le sous-titrage codé numérique est un nouveau service de sous-titrage, disponible uniquement sur les programmes de télévision numérique (également au choix du fournisseur de programmes). Ce système est plus convivial que le système de sous-titrage initial, car il offre un large choix de tailles et de styles de

police dans les sous-titres. Lorsque le sous-titrage codé numérique est utilisé, il est signalé par une abréviation de trois lettres qui spécifie également la langue dans laquelle les sous-titres codés numériques s'affichent : ENG (anglais), SPA (espagnol), FRA (français) ou d'autres codes de langue.

Le sous-titrage codé n'est pas disponible sur tous les programmes et les cassettes vidéo VHS. Recherchez le symbole qui le signale pour vous assurer que les sous-titres s'afficheront.



Si l'équipement de source de signal est branché au téléviseur via une interface HDMI ou une connexion vidéo en composantes, il est possible que les informations sur le sous-titrage codé ne soient pas disponibles, car l'équipement source risque de ne pas transmettre les informations au téléviseur via ces connecteurs.

Dans le système de sous-titrage codé, plusieurs services de sous-titrage peuvent être fournis. Chacun de ces services est identifié par un numéro spécifique. Les services CC1 à CC4 affichent les sous-titres des programmes télévisés par superposition sur l'image des programmes.

Les services Text1 à Text4 affichent le texte qui n'est pas associé au programme actuellement regardé, tel que la météo ou les actualités. Ces services peuvent également être superposés sur les programmes pendant que vous les regardez.

- Selon le nombre de services de sous-titrage proposés dans le signal reçu, vous verrez des informations comme 1/2 ou 1/4 s'afficher. 1/2 signifie « le premier des deux services proposés ». Exemple : si le programme propose trois services Numérique CC (ENG), CC1 et Text1, l'affichage des sous-titres sera présenté dans cet ordre.
- Le bouton CC mémorise le dernier service sélectionné. Si le dernier mode de sous-titrage que vous avez sélectionné n'est pas disponible sur le programme suivant ou sur une autre chaîne, le service de sous-titrage disponible est

automatiquement sélectionné et il s'affiche entre parenthèses. Les services de sous-titrage qui apparaissent entre parenthèses ne seront pas conservés dans la mémoire du bouton CC en tant que dernier service sélectionné. Seuls les services que vous avez sélectionnés avec ce bouton seront ainsi conservés.



Lorsque le programme ne propose pas de sous-titrage codé, le signe « -- » s'affiche dans la zone d'information sur le sous-titrage.

Si le code de langue, comme ENG, n'est pas disponible sur des programmes télévisés numériques, le signe « -- » s'affiche.

Tous les types de services de sous-titrage (CC1, Text1, etc.) sont en principe utilisables ; il se peut toutefois qu'une émission ne propose aucun de ces services ou seulement une partie d'entre eux, selon le fournisseur des services.

Les paramètres par défaut du sous-titre codé peuvent être indiqués par la chaîne de télévision.

Utilisation de l'option Style

L'option Style permet de définir l'aspect du texte du sous-titre codé :

- L'option **Taille de police** permet de régler la taille du sous-titre : Petite, Standard, Grande.
- Sélectionnez **Style de police** pour définir un style de sous-titre prédéfini ou défini par l'utilisateur.
- L'option **Couleur d'avant-plan** permet de définir la couleur du texte.
- L'option **Couleur d'arrière-plan** permet de définir la couleur d'arrière-plan.
- L'option **Opacité d'avant-plan** permet de définir l'opacité du texte.
- L'option **Opacité d'arrière-plan** permet de définir l'opacité de l'arrière-plan.
- L'option **Edge Style (Style de bordure)** permet de définir un style de bordure prédéfini.

Sélection de la langue OSD

Vous pouvez utiliser l'option OSD Language (Langue OSD) pour définir la langue de l'affichage à l'écran.

Lancement de l'assistant d'installation

Vous pouvez lancer l'assistant d'installation qui vous guidera dans la sélection de la langue de l'OSD, de la date et l'heure, de la source de signal TV (antenne ou câble), et la recherche des chaînes télévisées disponibles.

Dans le menu Assistant d'installation, sélectionnez **Démarrer**, puis appuyez sur le bouton OK.

Modification des identifications de prises

Vous pouvez utiliser l'option Identification de prises pour modifier toutes les étiquettes d'entrée, sauf l'étiquette Antenne ou Câble qui apparaît lorsque vous appuyez sur le bouton Source de la télécommande ou du téléviseur.

La liste des sources d'entrée identifie un jeu de connecteurs à l'arrière du téléviseur :

- **Antenna or Cable (Antenne ou Câble)** correspond au connecteur d'entrée antenne/câble. L'étiquette affiche la sélection de la source de balayage (antenne ou câble) de la dernière recherche de chaînes effectuée par l'assistant d'installation ou le menu Canal. Cette étiquette ne peut pas être modifiée.
- **AV1** correspond au jeu de connecteurs d'entrée AV 1 à définition standard S-vid. ou Vidéo.
- **AV2** correspond au jeu de connecteurs d'entrée AV 2 à définition standard S-vid. ou Vidéo.
- **Component 1 (Composante 1)** correspond au jeu de connecteurs d'entrée 1 en composantes haute définition.
- **Component 2 (Composante 2)** correspond au jeu de connecteurs d'entrée 2 en composantes haute définition.
- **PC** correspond au jeu de connecteurs (VGA) d'entrée PC.
- **HDMI 1** correspond à l'interface HDMI 1 du connecteur d'entrée haute définition numérique.

- **HDMI 2** correspond à l'interface HDMI 2 du connecteur d'entrée haute définition numérique.
- **HDMI 3** correspond à l'interface HDMI 3 du connecteur d'entrée haute définition numérique (certains modèles uniquement).

Les identifications de prises pouvant être affectées sont :

- Défaut (identification de prise d'origine)
- AVR
- DVD
- PVR
- Câble
- DEC
- Aux
- SAT
- VCR

Pour modifier une identification de prise à l'aide de la télécommande :

- 1 Appuyez sur le bouton Menu pour accéder au menu d'affichage à l'écran (OSD). Les menus disponibles s'affichent sous forme de liste.
- 2 Appuyez sur le bouton fléché vers le bas pour mettre le menu **Configuration** en surbrillance, puis appuyez sur le bouton OK.
- 3 Appuyez sur le bouton fléché vers le bas pour naviguer dans le menu et mettre l'option **Identification de prises** en surbrillance, puis appuyez sur le bouton OK pour accéder à l'option.
- 4 Appuyez sur le bouton fléché vers le bas pour mettre la source d'entrée à modifier en surbrillance, puis appuyez sur le bouton fléché vers la droite. Appuyez sur le bouton fléché vers le bas pour sélectionner la nouvelle étiquette, puis sur OK pour valider la modification.
- 5 Lorsque vous avez terminé, utilisez le bouton Menu pour quitter le menu OSD.

Rétablissement des paramètres par défaut

Vous pouvez utiliser le menu Paramètres par défaut pour rétablir toutes les valeurs par défaut des paramètres, y compris des identifications de prises. Sélectionnez **Paramètres par défaut**, puis appuyez sur le bouton OK.

Cette option ne réinitialise pas les chaînes dans la liste Fav et la liste des chaînes. Ces éléments ne seront réinitialisés que durant un nouveau balayage des chaînes.

Réponses aux questions

Explication de la terminologie de la télévision

Qu'est-ce que la télévision analogique, la télévision numérique et la télévision haute définition (HDTV) ?

Les appareils comme les moniteurs, les syntoniseurs et les combinés moniteur/syntoniseur sont conçus pour prendre en charge l'un des 18 standards du signal de diffusion vidéo en *numérique* officiellement homologués par le comité de normalisation de l'industrie, Advanced Television Systems Committee (ATSC). Il existe trois sous-groupes de télévision numérique, classés selon leurs capacités : la télévision haute définition (HTVD), la télévision à définition améliorée (EDTV) et la télévision à définition standard (SDTV).

Par contre, pendant plus de 50 ans aux États-Unis, la télévision *analogique* n'a été disponible que dans le format NSTC (National Television Standards Committee). C'est ce format de signal qui a été diffusé par voie hertzienne et par câble. La télévision utilisant le signal NSTC offre un peu plus de 480 lignes de résolution, avec balayage entrelacé.

Pour des programmes haute définition, votre téléviseur doit recevoir des signaux haute définition au moyen d'un signal source haute définition connecté au téléviseur. La source peut être un signal d'antenne haute définition par voie hertzienne ou un signal haute définition par câble, ou encore une source haute définition, telle qu'un boîtier décodeur de réception câble ou satellite, un lecteur HD-DVD, etc. Toutes les sources, excepté un signal haute définition par voie hertzienne ou par câble, doivent être branchées aux jeux de connecteurs d'entrée haute définition situés à l'arrière du téléviseur. Votre fournisseur de services télévisés par câble ou satellite peut exiger l'achat supplémentaire de programmes haute définition : il est également possible que les émissions haute définition par voie hertzienne ne soient pas disponibles dans toutes les zones.

Quelle est la différence, pour la télévision numérique, entre le format de signaux entrelacés et le format des signaux progressifs ?

Il existe 18 formats standard de signaux de télévision numérique. Chacun fournit une qualité d'image différente. Les noms de ces formats télévisés numériques comprennent un chiffre, suivis de la lettre p (progressive - progressif) ou de la lettre i (interlaced - entrelacé). La lettre se réfère à la façon dont la télévision utilise les signaux pour créer l'image :

- Le balayage progressif (p) présente toutes les lignes horizontales de l'image dans un seul cadre. Cette méthode donne plus de réalisme à l'image et une meilleure qualité que l'image entrelacée de même résolution.
- Entrelacé (i) signifie que l'image apparaît dans deux segments ; la moitié des lignes horizontales de l'image est affichée dans un cadre, l'autre moitié des lignes horizontales étant placée dans le cadre d'image suivant. Cette méthode fonctionne parce que l'affichage est tellement rapide que l'œil est trompé et croit qu'une seule image lui est montrée.

Le chiffre figurant dans les noms des formats correspond au nombre de lignes de résolution. En règle générale, plus le chiffre est élevé, plus la qualité de l'image est élevée. Par exemple, la télévision numérique (DTV) propose aux diffuseurs de choisir entre deux formats progressifs : 480p et 720p. L'image 480p affiche 480 lignes de balayage horizontal. Bien que l'image 480p soit beaucoup plus réaliste que celle d'une émission de télévision normale, elle est considérée uniquement comme un signal de télévision numérique (DTV) et non comme un véritable signal de télévision haute définition. L'image 720p affiche 720 lignes de balayage horizontal, elle est considérée comme une véritable image de télévision haute définition. L'image 720p peut rivaliser avec une image 1080i, dans laquelle 1080 lignes de balayage

horizontal s'affichent sous forme d'une image entrelacée. L'image 720p (progressive) plus réaliste et plus nette produit un meilleur effet, même si l'image 1080i contient beaucoup plus de lignes de balayage et une résolution bien plus élevée.

Qu'est-ce qu'un rapport d'affichage variable ?

Le *rapport d'affichage* représente la relation entre la largeur de l'écran et sa hauteur. Les signaux TV standard sont basés sur un rapport d'affichage de 4:3 (quatre unités de largeur pour trois unités de hauteur). Les signaux HDTV sont basés sur un rapport d'affichage de 16:9, produisant une image d'une largeur de 33 % supérieure à celle d'une télévision normale, et permettant de regarder les émissions et les films comme si vous les regardiez dans un cinéma.

De plus, de nombreux DVD ont une meilleure image sur écran large parce que la plupart des films réalisés au cours des 50 dernières années ont été tournés dans un rapport d'affichage de 1.85:1 (rapport très proche du 16:9 qui correspond à 1.78:1) ou dans un rapport d'affichage de 2.35:1 (qui est un rapport encore plus large que le 16:9).

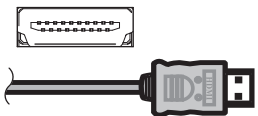
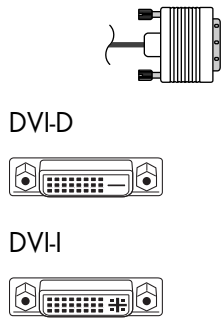
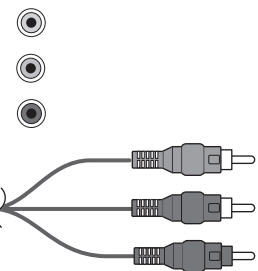
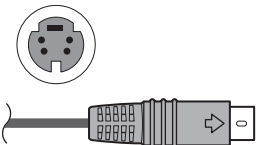
La prise en charge du rapport d'affichage variable permet la compression sur un écran 4:3 et l'affichage anamorphique afin que l'image occupe toute la largeur de l'écran.

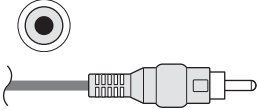
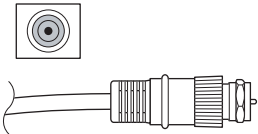
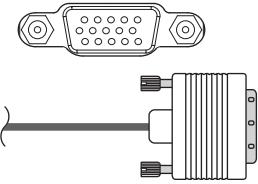
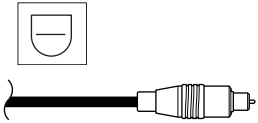
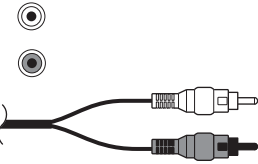
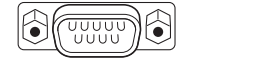
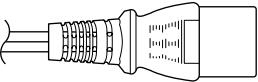
Qu'est-ce que la technologie HDMI ?

L'interface HDMI (High-Definition Multimedia Interface) est la première interface décompressée A/V entièrement numérique de l'industrie. Les composants HDMI peuvent transmettre de l'audio et de la vidéo numérique sur un seul câble avec une qualité améliorée par rapport aux connexions analogiques traditionnelles, grâce à une transmission entièrement numérique. Le transfert de sources numériques de programmes DVD ou HDTV peut maintenant être effectué sans la conversion analogique qui pouvait dégrader le signal d'origine.

Identification de l'utilisation du câble

Le tableau suivant répertorie tous les types de services par câble auxquels le téléviseur peut accéder. Il présente une vue latérale de chacun, ainsi que le connecteur correspondant.

Type de câble/ connexion	Description
<p>HDMI</p> 	<p>Capable de transmettre des signaux décompressés audio numérique et vidéo numérique parce qu'elle est dotée des signaux audio, vidéo et de contrôle.</p>
<p>DVI</p>  <p>DVI-D</p> <p>DVI-I</p>	<p>DVI requiert l'utilisation d'un câble audio séparé.</p> <p>DVI-D transmet des signaux vidéo numériques. DVI-D peut être utilisé avec un convertisseur DVI-HDMI pour un branchement à un connecteur HDMI du téléviseur.</p> <p>DVI-I transmet des signaux vidéo numériques et analogiques. DVI-I peut être utilisé uniquement avec un convertisseur DVI-VGA pour brancher un ordinateur au connecteur (VGA) d'entrée PC du téléviseur.</p>
<p>Composant</p> 	<p>Câble trois ou cinq fils : un pour le signal Pr (rouge), un pour le signal Y (vert) et un pour le signal Pb (bleu). Certains câbles en composantes sont également accompagnés de câbles audio rouge et blanc. Utilisé pour les récepteurs HDTV, les lecteurs de DVD et autres appareils équipés de connecteurs de sortie à composantes YpbPr.</p>
<p>S-vidéo</p> 	<p>Utilisé avec des équipements, tels que les lecteurs de DVD, les magnétoscopes, les syntoniseurs et les décodeurs de réception câble et satellite, les caméscopes et les décodeurs de réception câble numérique.</p>

Type de câble/ connexion	Description <i>(suite)</i>
<p>Vidéo composite</p> 	Utilisée avec des équipements comme les magnétoscopes et les lecteurs de DVD.
<p>Antenne coaxiale</p> 	Liaison RF ou câble coaxial utilisé principalement pour les raccordements d'antennes ou de câbles. Souvent utilisée avec un (boîtier) décodeur de réception câble ou satellite, si aucun autre choix n'est disponible.
<p>VGA</p> 	Interface utilisée avec des ordinateurs et des écrans.
<p>Audio numérique</p> 	Câbles audio optiques haute résolution utilisés pour un système audio externe en option, comme le son d'ambiance 5.1 pistes.
<p>RCA</p> 	Les connecteurs audio rouge et blanc se connectent aux entrées audio rouge et blanche (G et D).
<p>RS-232</p> 	Interface série utilisée uniquement à des fins commerciales.
<p>Cordon d'alimentation</p> 	Raccorde le téléviseur à la prise de courant électrique.

Caractéristiques techniques

Écran	
Panneau du téléviseur	Téléviseur LCD TFT
Dimensions en pouces (mm)	
<p>HP LC4776N : W : 44,4 (1128), H : 31,7 (804), A : 22,0 (558), B : 29,3 (744), T : 5,4 (138), D : 11,0 (279), C : 15,6 (395)</p> <p>HP LC4276N, LC4272N, LC4270N : W : 40,0 (1015), H : 28,5 (724), A : 22,0 (558), B : 26,6 (676), T : 5,3 (135), D : 11,0 (279), C : 14,0 (355)</p> <p>HP LC3772N, LC3770N : W : 35,7 (908), H : 26,7 (678), A : 22,0 (558), B : 24,3 (617), T : 5,2 (133), D : 11,0 (279), C : 11,1 (283)</p> <p>HP LC3272N, LC3270N : W : 30,9 (786), H : 24,0 (610), A : 20,0 (507), B : 21,6 (549), T : 5,0 (128), D : 9,4 (239), C : 9,8 (249)</p>	
Résolution d'image	<p>HP LC4776N : 1920 x 1080 (pour l'entrée 1080p)</p> <p>HP LC4276N : 1920 x 1080 (pour l'entrée 1080p)</p> <p>HP LC4272N, LC4270N : 1366 x 768</p> <p>HP LC3772N, LC3770N : 1366 x 768</p> <p>HP LC3272N, LC3270N : 1366 x 768</p>
Luminosité	Jusqu'à 500 cd/m ²

Écran (suite)	
Rapport de contraste	HP LC4776N : 1200:1 HP LC4276N : 1200:1 HP LC4272N, LC4270N : 1500:1 HP LC3772N, LC3770N : 1000:1 HP LC3272N, LC3270N : 1200:1
Temps de réponse (typique)	HP LC4776N : 6 ms HP LC4276N, LC4272N, LC4270N : 8 ms HP LC3772N, LC3770N : 6 ms HP LC3272N, LC3270N : 8 ms
Durée de vie du panneau	Jusqu'à 60 000 heures
Audio	<ul style="list-style-type: none"> ■ 10 watts par chaîne (deux haut-parleurs internes) ■ Son d'ambiance virtuel HP : Cinéma, Music-hall ■ Sortie analogique : Stéréo 2 canaux ■ Sortie numérique (optique) : Sortie Dolby Digital, PCM
Langue de l'affichage à l'écran	Anglais/Français/Espagnol
Alimentation électrique	120 V C.A. \sim , 60 Hz
Consommation d'énergie	HP LC4776N : 330 watts, HP LC4276N : 300 watts HP LC4272N, LC4270N : 280 watts HP LC3772N, LC3770N : 220 watts HP LC3272N, LC3270N : 180 watts

Fonction TV	
Standard TV (CCIR)	Standard de télévision américain Système ATSC/NTSC/Clear-QAM
Canal de réception	VHF : 2–13 UHF : 14–69 CATV : 1–125 Émission numérique terrestre (8VSB) : 2–69 Câble numérique (64/256 Clear-QAM) : 1–135
Multiplex audio	Système BTSC
Entrées prises en charge	480i, 480p, 720p, 1080i, 1080p (HDMI uniquement)

Connecteurs	
Entrée numérique haute définition	Connecteurs d'entrée HDMI (type A) avec HDCP : <ul style="list-style-type: none"> ■ HDMI 1 (avec entrée audio HDMI G et D) ■ HDMI 2 ■ HDMI 3 (certains modèles uniquement)
Entrée haute définition en composantes	<ul style="list-style-type: none"> ■ 1 : Y, Pb, et Pr, et entrée audio G et D ■ 2 : Y, Pb, et Pr, et entrée audio G et D
Entrée à définition standard	<ul style="list-style-type: none"> ■ Entrée AV 1 : S-vid., Vidéo et Audio G et D ■ Entrée AV 2 : S-vid., Vidéo et Audio G et D
Entrée PC	Entrée de moniteur VGA avec audio G/D (entrée ligne)
Sortie audio	<ul style="list-style-type: none"> ■ Numérique (optique) en format Dolby Digital ou PCM ■ Sortie audio G et D stéréo analogique (RCA)
ANT/Câble (entrée RF)	Dissymétrie de 75 ohms, type F pour entrée VHF/UHF/CATV
Série RS-232 (certains modèles uniquement)	Entrée série (uniquement à des fins commerciales)
Port d'entretien	USB (uniquement à des fins de réparation)

Poids	
Panneau TV (sans support)	HP LC4776N : 29,9 kg HP LC4276N, LC4272N, LC4270N : 23,9 kg HP LC3772N, LC3770N : 18,5 kg HP LC3272N, LC3270N : 15,0 kg
Téléviseur et support	HP LC4776N : 34,4 kg HP LC4276N, LC4272N, LC4270N : 27,9 kg HP LC3772N, LC3770N : 22,5 kg HP LC3272N, LC3270N : 18,5 kg

Environnement	
Température de fonctionnement et humidité	entre 0 et 35 °C à 20-80 % RH
Température de stockage et humidité	entre -20 et +50° C à 10-90 % RH

Accessoires	
Fournis avec la livraison	Documentation, télécommande, serre-câbles et cordon d'alimentation C.A.
Certification et conformité	TV avec logo UL, C-UL, FCC, BETS-7, ENERGY STAR
Garantie	Un an, pièces et main d'œuvre

Toutes les spécifications représentent le niveau type de performance donné par les fabricants de composants d'HP ; les performances constatées peuvent varier par rapport à ce niveau.

La durée de vie du panneau est définie comme la période écoulée jusqu'à ce que la luminosité soit descendue à 50 % de la valeur de luminosité initiale, pour une alimentation électrique de la lampe à intensité nominale et un fonctionnement en continu à 25 +/- °C. 60 000 heures correspondent à plus de vingt-trois années de fonctionnement à raison de sept heures par jour.

Graphique de compatibilité avec l'ordinateur

Préréglage	Format des pixels	Fréquence horizontale (kHz)	Polarité horizontale	Fréquence verticale (Hz)	Polarité verticale	Horloge pixel (MHz)	Source
1	640 x 480	31,5	-	59,9	-	25,2	VGA
2	640 x 480	37,5	-	75,0	-	31,5	VESA
3	720 x 400	31,5	-	70,1	+	28,3	VGA
4	800 x 600	37,9	+	60,3	+	40,0	VESA
5	800 x 600	46,9	+	75,0	+	49,5	VESA
6	1024 x 768	48,4	-	60,0	-	65,0	VESA
7	1024 x 768	56,5	-	70,1	-	75,0	VESA
8	1024 x 768	60,0	-	75,0	-	78,8	VESA
9	1280 x 768	47,4	+	60,0	-	68,3	VESA
10	1280 x 1024	64,0	+	60,0	+	108,0	VESA
11	1360 x 768	47,7	+	60,0	+	85,5	VESA
12	1920 x 1080	65,0	+	30,0	+	74,25	EIA

Dépannage

Consultez ces rubriques si vous avez des problèmes de démarrage, d'affichage, d'image, de son ou de télécommande avec votre téléviseur.

Questions sur le démarrage

Symptôme	Solution
Je n'entends pas de son lorsque je mets l'appareil en marche alors qu'il y a une image.	<ul style="list-style-type: none">■ Le volume est-il bas ? Appuyez sur le bouton de volume.■ Le son est-il coupé ? Appuyez sur le bouton Muet ou sur le bouton de volume.■ Les haut-parleurs sont-ils désactivés dans le menu d'affichage à l'écran (OSD) ? Appuyez sur le bouton Menu pour accéder au menu d'affichage à l'écran (OSD). Appuyez sur le bouton fléché vers le bas pour sélectionner Audio, puis sur le bouton OK ; appuyez sur le bouton fléché vers le bas pour sélectionner Haut-parleur, puis sur OK ; appuyez sur le bouton fléché vers le bas pour sélectionner On (Activé), puis sur OK. Appuyez sur le bouton Menu pour quitter l'affichage à l'écran.
Je n'entends pas de son d'un boîtier décodeur, d'un lecteur de DVD ou d'un autre appareil connecté à l'interface HDMI.	<p>Vérifiez que l'appareil produit du son sur l'interface HDMI au format PCM. Modifiez au besoin les paramètres de l'appareil.</p> <p>Ce téléviseur ne prend pas en charge l'entrée audio sur l'interface HDMI au format Dolby Digital. Pour plus d'informations, reportez-vous à la section « Explication de la sortie audio » à la page 35.</p> <p>Pour utiliser la sortie Dolby Digital d'un appareil source numérique, branchez la sortie numérique de votre appareil directement à l'entrée du récepteur AV ou système audio externe prenant en charge le format Dolby Digital.</p>
Je ne vois pas d'image lorsque je mets l'appareil en marche.	<ul style="list-style-type: none">■ Les raccordements à la source du signal sont-ils correctement effectués ? Vérifiez que les câbles sont insérés correctement dans les connecteurs de couleur correspondante.■ La source du signal d'entrée est-elle sous tension ? Allumez le boîtier décodeur, le lecteur de DVD ou tout autre appareil que vous essayez de visionner.■ La source d'entrée sélectionnée est-elle correcte ? Appuyez sur le bouton Source de la télécommande et vérifiez que la source est bien sélectionnée.■ Appuyez sur le bouton Menu de la télécommande ou du téléviseur :<ul style="list-style-type: none">■ Si le menu OSD s'affiche, vérifiez les câbles de la source d'entrée, et appuyez sur le bouton Source de la télécommande ou du téléviseur pour choisir la source d'entrée.■ Si le menu OSD n'apparaît pas, reportez-vous au symptôme suivant : « Il n'y a pas d'alimentation. »

Symptôme	Solution <i>(suite)</i>
Il n'y a pas d'alimentation.	<ul style="list-style-type: none"> ■ Appuyez sur le bouton d'alimentation de la télécommande. ■ Si le voyant d'alimentation du téléviseur est allumé (bleu), appuyez sur le bouton d'alimentation du téléviseur. ■ Le cordon d'alimentation est-il débranché ? Assurez-vous que les deux extrémités du cordon d'alimentation sont raccordées. ■ La prise fournit-elle du courant ? Branchez une lampe ou tout autre appareil électrique en état de marche sur la même prise que le téléviseur et assurez-vous qu'elle fournit de l'électricité. ■ Si vous utilisez une prise multiple, assurez-vous qu'elle est allumée.
L'unité ne fonctionne pas.	<ul style="list-style-type: none"> ■ Les influences externes comme la foudre et l'électricité statique peuvent entraîner un mauvais fonctionnement. Dans ce cas, n'utilisez l'unité qu'après avoir mis le téléviseur en marche, ou débranché et rebranché le cordon d'alimentation, une à deux minutes plus tard.
Les couleurs sont étranges, pâles ou déformées.	<ul style="list-style-type: none"> ■ Ajustez les nuances de l'image. ■ La pièce est-elle trop vivement éclairée ? L'image peut paraître foncée dans une pièce trop fortement éclairée. ■ Vérifiez le réglage du signal d'entrée. ■ Si vous visualisez une source externe, assurez-vous que les deux extrémités des câbles rouge, bleu et vert sont totalement insérées dans les bons connecteurs.
L'appareil s'est soudainement arrêté.	<ul style="list-style-type: none"> ■ La minuterie d'extinction a-t-elle été réglée ? ■ La température interne du téléviseur a augmenté. Ôtez tous objets susceptibles d'obstruer l'aération ou bien nettoyez les orifices d'aération.

Questions sur l'affichage

Symptôme	Solution
J'ai une image de mauvaise qualité d'image avec l'entrée du signal vidéo.	Vérifiez les points suivants : paramètres de contrôle incorrects, interférences locales, interconnexion des câbles. Ajustez la commande d'image, si nécessaire. Placez le téléviseur dans un autre endroit. Assurez-vous que tous les raccordements sont correctement effectués.
Il n'y a pas d'image et un périphérique externe contrôle le téléviseur.	<ul style="list-style-type: none"> ■ Appuyez sur le bouton Source de la télécommande et vérifiez que la source est bien sélectionnée. ■ Vérifiez que le périphérique externe ou l'ordinateur est sous tension. ■ Assurez-vous que l'appareil source est branché. ■ Vérifiez la fonction de gestion de l'alimentation de l'appareil source. Le périphérique est-il en mode veille ? ■ Raccordez la source au téléviseur. Faites fonctionner le périphérique externe ou l'ordinateur (déplacez la souris, appuyez sur un bouton).
Avec une source d'entrée en composante connectée, l'image est excessivement rouge, bleue ou verte, ou sa couleur noire est trop foncée ou trop claire.	<ul style="list-style-type: none"> ■ Vérifiez que tous les câbles sont raccordés aux connecteurs de couleur correspondants à la fois au niveau du téléviseur et de l'appareil de source d'entrée. ■ Assurez-vous que les câbles sont bien insérés aux deux extrémités. ■ Reportez-vous à la section « Réglage des paramètres de l'image AV » à la page 33.

Questions sur la qualité de l'image

Symptôme	Solution
Mon image est tronquée ou n'est pas centrée.	Vérifiez les paramètres de réglage de la position, puis ajustez les réglages de l'écran en conséquence.
Mon image est trop grande ou trop petite.	Appuyez sur le bouton Aspect de la télécommande pour sélectionner une autre taille d'image.
L'image est instable.	Vérifiez que les paramètres de résolution du périphérique externe ou de l'ordinateur sont corrects. Ajustez-les jusqu'à obtention de la résolution appropriée.
L'image contient des barres latérales noires et je ne parviens pas à les supprimer en choisissant un autre rapport d'affichage.	Appuyez sur le bouton Infos de la télécommande et relevez le mode de transmission de la station. Certaines stations émettent des programmes de définition standard directement au rapport d'affichage 16:9 de sorte que l'image contient des barres latérales foncées incorporées. Pour ce type de signal d'entrée, le mode Panorama n'est pas disponible, et les modes Zoom 1 et Zoom 2 n'éliminent pas ces barres.
Lorsque vous regardez un DVD, l'image présente des bandes noires en haut et en bas de l'écran.	Le film peut être capturé dans différents rapports panoramiques. Lorsque le rapport du film d'origine ne correspond pas à celui du téléviseur, les bandes apparaissent en haut et en bas de l'image.

Question sur la télécommande

Symptôme	Solution
La télécommande ne fonctionne pas.	<p>Vérifiez les points suivants, puis essayez la solution proposée.</p> <ul style="list-style-type: none">■ Vérifiez que les batteries sont correctement insérées et qu'elles respectent la polarité.■ Assurez-vous que les piles de la télécommande sont neuves. Si elles sont usées, remplacez-les par des batteries neuves.■ Assurez-vous que la télécommande est à une distance correspondant à sa portée.■ Assurez-vous que la fenêtre du télécaptteur à l'avant du téléviseur n'est pas trop exposée à la lumière, aux rayons du soleil ou à une forte lumière artificielle.■ Vérifiez l'absence d'obstacles entre la télécommande et la fenêtre du capteur à l'avant du téléviseur.■ Assurez-vous que la télécommande est bien pointée en direction du téléviseur et qu'elle ne se trouve pas à plus de 5 mètres.
La télécommande ne contrôle aucun autre équipement de divertissement domestique.	Il ne s'agit pas d'une télécommande universelle. Elle ne fonctionne qu'avec votre téléviseur HP.
Ma télécommande universelle ne détecte pas de code de fabricant HP.	<p>Si vous souhaitez utiliser une télécommande universelle pour contrôler votre téléviseur HP et que HP n'apparaît pas dans les codes de fabricants pris en charge, utilisez un code de téléviseur Philips. La télécommande HP transmet les codes de télécommande Philips.</p> <p>Après avoir été programmée avec un code de TV Philips, votre télécommande universelle peut contrôler les fonctions du téléviseur HP suivantes : volume, mise en sourdine, alimentation et source d'entrée.</p>
Je ne parviens pas à ajouter une chaîne à la liste des chaînes favorites via le bouton Fav.	Pour pouvoir ajouter une chaîne à la liste Fav, elle doit d'abord figurer dans la liste des chaînes. L'assistant d'installation ou la fonction de balayage automatique du menu Canal de l'affichage à l'écran crée la liste de chaînes lors de la recherche des chaînes. Lancez l'assistant d'installation ou effectuez le balayage automatique. Reportez-vous aux sections « Lancement de l'assistant d'installation » à la page 44 ou « Recherche de chaînes » à la page 36.

Guía del usuario del televisor de alta definición de HP

Televisor LCD de alta definición HP LC4776N de 47 pulgadas

Televisor LCD de alta definición HP LC4276N de 42 pulgadas

Televisor LCD de alta definición HP LC4272N de 42 pulgadas

Televisor LCD de alta definición HP LC4270N de 42 pulgadas

Televisor LCD de alta definición HP LC3772N de 37 pulgadas

Televisor LCD de alta definición HP LC3770N de 37 pulgadas

Televisor LCD de alta definición HP LC3272N de 32 pulgadas

Televisor LCD de alta definición HP LC3270N de 32 pulgadas



i n v e n t

Las únicas garantías de los productos y servicios de HP se estipulan en las declaraciones de garantía expresas que acompañan a los productos y servicios. Nada de lo mencionado aquí debe interpretarse como garantía adicional. HP no será responsable de los errores técnicos o editoriales ni de las omisiones que pueda contener el presente documento.


HP no asumirá responsabilidad alguna por la utilización o fiabilidad de su software en equipos no suministrados por HP.

Este documento contiene información propia protegida por derechos de autor. Ninguna parte de este documento puede ser fotocopiada, reproducida o traducida a otro idioma sin el consentimiento previo por escrito de HP.

Hewlett-Packard Company
P.O. Box 4010
Cupertino, CA 95015-4010
EE.UU.

Copyright © 2007 Hewlett-Packard Development Company, L.P.

En los Estados Unidos, puede suministrarse bajo licencia al amparo de al menos una de las patentes de EE.UU. n° 4.930.158 y 4.930.160 hasta el 28 de agosto de 2008.

 Fabricado bajo licencia de Dolby Laboratories. "Dolby" y el símbolo doble-D son marcas registradas de Dolby Laboratories.

HDMI, el logotipo HDMI y High-Definition Multimedia Interface son marcas o marcas registradas de HDMI Licensing LLC.

ENERGY STAR es una marca registrada propiedad del gobierno de EE.UU.

HP defiende el uso legal de la tecnología y no respalda ni fomenta el uso de sus productos para fines distintos de los permitidos por las leyes de propiedad intelectual.

La información contenida en este documento podrá cambiar sin previo aviso.



El texto marcado de esta manera indica información necesaria.



El texto marcado de esta manera indica información necesaria importante.



PRECAUCIÓN: El texto resaltado de esta manera indica que no seguir las instrucciones puede causar daños en el equipo o pérdida de información.



ADVERTENCIA: Este símbolo avisa al usuario de la presencia de instrucciones de manejo y mantenimiento (reparación) importantes en la documentación adjunta.



VOLTAJE PELIGROSO: El texto resaltado de esta manera indica la presencia de tensión eléctrica no aislada dentro de la carcasa del producto de una magnitud que puede ser suficiente para constituir un riesgo de descarga eléctrica a las personas.

Medidas de seguridad importantes

ADVERTENCIA: PARA REDUCIR EL RIESGO DE FUEGO O DE DESCARGA ELÉCTRICA, NO EXPONGA ESTE APARATO A LA LLUVIA NI A LA HUMEDAD.

 **PRECAUCIÓN: RIESGO DE DESCARGA ELÉCTRICA** 
NO ABRIR

ADVERTENCIA: PARA REDUCIR EL RIESGO DE DESCARGA ELÉCTRICA, NO RETIRE LA CUBIERTA (O PARTE TRASERA). ESTE PRODUCTO NO CONTIENE PIEZAS REPARABLES POR EL USUARIO. ENCOMIENDE CUALQUIER TRABAJO DE REPARACIÓN A PERSONAL TÉCNICO CUALIFICADO.



ESTE SÍMBOLO PRETENDE AVISAR AL USUARIO DE LA PRESENCIA DENTRO DE LA CARCASA DEL PRODUCTO DE UN "VOLTAJE PELIGROSO" SIN AISLAMIENTO, QUE PUEDE SER LO SUFICIENTEMENTE ELEVADO COMO PARA SUPONER UN RIESGO DE DESCARGA ELÉCTRICA PARA LAS PERSONAS. ENCOMIENDE CUALQUIER TRABAJO DE REPARACIÓN A PERSONAL TÉCNICO CUALIFICADO.



ESTE SÍMBOLO AVISA AL USUARIO DE LA PRESENCIA DE INSTRUCCIONES DE MANEJO Y MANTENIMIENTO (REPARACIÓN) IMPORTANTES EN LA DOCUMENTACIÓN ADJUNTA.

PRECAUCIÓN: NO COLOQUE ESTE APARATO EN UN CARRO, SOPORTE, TRÍPODE, ESTANTE O MESA INESTABLE. EL APARATO PODRÍA CAERSE Y CAUSAR LESIONES GRAVES A PERSONAS Y DAÑARSE GRAVEMENTE. UTILÍCELO SOLAMENTE CON UN CARRO, SOPORTE, TRÍPODE, ESTANTE O MESA QUE HAYA SIDO RECOMENDADO POR EL FABRICANTE O VENDIDO JUNTO CON EL APARATO. SIGA LAS INSTRUCCIONES DEL FABRICANTE CUANDO INSTALE EL APARATO, Y UTILICE TAMBIÉN LOS ACCESORIOS DE MONTAJE RECOMENDADOS POR EL FABRICANTE. EL CONJUNTO DEL APARATO Y EL CARRO DEBERÁ MOVERSE CON MUCHO CUIDADO. LAS PARADAS RÁPIDAS, UNA FUERZA EXCESIVA Y LAS SUPERFICIES IRREGULARES PUEDEN SER LA CAUSA DE QUE EL CONJUNTO DEL APARATO Y EL CARRO VUELQUE.



INFORMACIÓN

Este producto ha sido sometido a pruebas para certificar que cumple con los límites establecidos para los dispositivos digitales de clase B en la Parte 15 de las normas de la FCC. Tales límites se han marcado para proporcionar una protección razonable contra las interferencias perjudiciales emitidas en una vivienda. Este equipo genera, utiliza y puede emitir energía de radiofrecuencia. De no instalarse y utilizarse según las instrucciones, este aparato puede causar interferencias en las comunicaciones de radio. Sin embargo, no se puede garantizar que no se originen interferencias en una instalación determinada. Si este equipo causa interferencias perjudiciales a la recepción de radio o televisión, que pueden determinarse apagando y encendiendo el equipo, se recomienda corregir la interferencia siguiendo uno o varios de los siguientes procedimientos:

- Reorientar o cambiar de lugar la antena receptora.
- Aumentar la distancia entre el equipo y el receptor.
- Conectar el equipo a una toma de corriente de un circuito distinto del conectado al receptor.
- Consultar al distribuidor o a un técnico de radio o TV experimentado para obtener ayuda.

Aviso sobre el subtulado

Este receptor de televisión puede mostrar subtulado de televisión según el apartado 15.119 de las normas de la FCC.

Modificaciones

La FCC exige que se advierta al usuario que todo cambio o modificación que se realice en este dispositivo y no esté expresamente aprobado por Hewlett-Packard Company puede anular la autorización del usuario para manejar el equipo.

Cables

Las conexiones de este dispositivo han de realizarse con cables apantallados con fundas de conectores RFI/EMI metálicas para mantener el cumplimiento de las normas y reglamentos de la FCC.

ENTIDAD RESPONSABLE

Hewlett-Packard Company
a la atención de: Product Regulations Manager
10955 Tantau Avenue
Cupertino, CA 95014, EE.UU.

Instrucciones de seguridad importantes

La electricidad se usa para realizar muchas funciones útiles, pero también puede causar lesiones a personas y daños en la propiedad si se utiliza incorrectamente. Este producto ha sido diseñado y fabricado con la más alta prioridad en la seguridad. Sin embargo, su uso incorrecto puede provocar descargas eléctricas y/o fuego. Para evitar peligros potenciales, por favor tenga muy en cuenta las instrucciones siguientes al instalar, utilizar y limpiar el producto. Para garantizar su seguridad y prolongar la vida útil de su televisor, lea cuidadosamente las precauciones siguientes antes de utilizarlo.

- 1 Lea estas instrucciones.
- 2 Guarde estas instrucciones.
- 3 Preste atención a todas las advertencias.
- 4 Siga todas las instrucciones.
- 5 No utilice este aparato cerca del agua.
- 6 Límpielo solamente con un paño suave. Si es necesario, humedezca el paño con agua. Nunca utilice disolventes o productos de limpieza abrasivos para limpiar este producto, ya que en caso contrario lo puede dañar de forma irreversible.
- 7 No bloquee ninguna de las ranuras de ventilación. Instale el aparato de acuerdo con las instrucciones del fabricante.
- 8 No lo instale cerca de fuentes de calor como radiadores, salidas de aire caliente, estufas u otros aparatos (incluidos los amplificadores) que generen calor.
- 9 No anule las funciones de seguridad del enchufe polarizado o con toma de tierra. Un enchufe polarizado tiene dos patillas planas, una más ancha que la otra. Un enchufe con conexión a tierra tiene dos patillas planas y una tercera patilla de conexión a tierra. La patilla ancha o la tercera patilla están previstas para su seguridad. Si el enchufe suministrado no encaja en la toma de corriente, consulte a un electricista para que sustituya la toma.
- 10 Proteja el cable de alimentación de forma que no pueda pisarse o quedarse pillado, especialmente las clavijas o los enchufes de corriente y el punto por donde salen del aparato.
- 11 Utilice únicamente las conexiones y los accesorios especificados por el fabricante.
- 12 Utilice el producto únicamente con el carrito, soporte, trípode, plataforma o mesa especificada por el fabricante o vendida con el aparato. Cuando utilice un carrito, extreme las precauciones al mover conjuntamente el carrito y el aparato para evitar lesiones por vuelco.
- 13 Desenchufe este aparato durante tormentas eléctricas o cuando no lo utilice durante largos períodos de tiempo.
- 14 Diríjase a personal técnico cualificado para todo tipo de reparación. Se requiere asistencia técnica cuando el aparato se haya dañado de algún modo, como un cable o un enchufe estropeado, si se ha derramado líquido o se ha dejado caer un objeto en el interior del aparato, éste ha quedado expuesto a la lluvia o la humedad, no funciona normalmente o se ha caído.
- 15 Fuentes de alimentación—Este producto deberá utilizarse solamente con el tipo de fuente de alimentación indicado en la etiqueta de especificaciones. Si no está seguro del tipo de suministro eléctrico de su casa, consulte a su distribuidor o a la compañía eléctrica que le corresponda. Para los productos diseñados para funcionar con pilas u otra fuente de alimentación, consulte las instrucciones de uso.
- 16 Sobrecarga—No sobrecargue las tomas de corriente, los cables alargadores ni los receptáculos de cables integrados ya que se puede correr el riesgo de causar un incendio o recibir una descarga eléctrica.
- 17 Piezas de repuesto—Cuando se necesiten piezas de repuesto, asegúrese de que el técnico de servicio utiliza las piezas de repuesto especificadas por el fabricante u otras cuyas características sean idénticas a las de las piezas originales. El uso de piezas no autorizadas puede causar incendios, descargas eléctricas u otros peligros.



18 Verificación de seguridad—Una vez completado cualquier trabajo de mantenimiento o reparación en este producto, pida al técnico de servicio que realice verificaciones de seguridad para determinar si el producto está en condiciones de funcionamiento apropiadas.

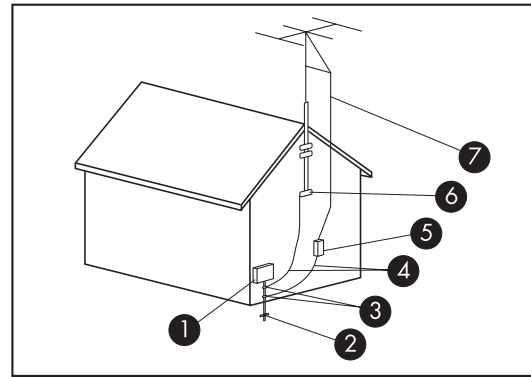
19 No exponga el aparato a ningún tipo de goteo o salpicadura de líquidos y no coloque sobre el aparato ningún tipo de objeto que contenga líquido.

20 ADVERTENCIA: Enchufe el cable de alimentación en una toma de corriente a la que pueda acceder fácilmente la clavija del cable cuando sea necesario desconectar la alimentación.

21 Reparación: El usuario no debe intentar realizar reparaciones del aparato distintas de las descritas en las instrucciones de uso. Diríjase a personal técnico cualificado para todas las demás reparaciones.

-
- Agua y humedad—No utilice este producto cerca de agua, como cerca de bañeras, lavabos, fregaderos de cocina o lavadoras, ni en sótanos húmedos, ni cerca de piscinas o lugares similares.
 - Soporte—No coloque el producto en un carro, soporte, trípode o mesa inestable. La colocación del producto en una base inestable puede ser la causa de que el producto se caiga, lo que podrá causar lesiones graves a personas y también daños al producto. Utilice solamente un carro, soporte, trípode, estante o mesa recomendado por el fabricante o vendido junto con el producto.
 - Ventilación—Los orificios de ventilación y otras aberturas de la carcasa han sido diseñados para ventilar el producto. No cubra ni bloquee estos orificios de ventilación y aberturas porque la falta de ventilación puede causar recalentamiento y/o reducir la duración del producto. No coloque el producto en una cama, sofá, alfombra u otra superficie similar porque las aberturas de ventilación podrían quedar bloqueadas. Este producto no ha sido diseñado para ser empotrado; no lo coloque en un lugar cerrado como, por ejemplo, un mueble librería o estantería a menos que disponga de la ventilación apropiada o se sigan las instrucciones del fabricante.
 - La pantalla utilizada en este aparato está hecha de cristal. Por lo tanto, podría romperse si el producto se cae o recibe un golpe fuerte. En caso de rotura de la pantalla de cristal líquido, tenga cuidado para que sufrir heridas por el cristal roto.
 - Calor—El producto debe colocarse alejado de fuentes de calor, como chimeneas, radiadores, salidas de aire caliente, estufas u otros productos (incluidos los amplificadores), que generen calor.
 - Tormentas eléctricas—Para una mayor protección del televisor durante las tormentas eléctricas, siempre que vaya a dejar el televisor desatendido o sin utilizar durante mucho tiempo, desenchúfelo de la toma de corriente y desconecte la antena. Así evitará al televisor los daños debidos a rayos y subidas de voltaje.
 - Líneas de energía eléctrica—Los sistemas de antenas exteriores nunca deben colocarse cerca de las líneas de energía eléctrica ni de otros circuitos de luz o electricidad, ni donde pueda caer sobre dichas líneas o circuitos. A la hora de instalar un sistema de antena exterior, se deben extremar las precauciones para no tocar las líneas ni los circuitos de conducción eléctrica, ya que el contacto podría ser letal.

- **Conexión a tierra de la antena exterior—**
Si conecta una antena exterior al televisor, asegúrese de que el sistema de antena esté conectado a tierra para obtener cierta protección ante los picos de tensión y la acumulación de cargas estáticas. El Artículo 810 del Código Nacional Eléctrico, ANSI/NFPA 70, proporciona información relativa a la instalación a tierra física del mástil y de la estructura de soporte, así como del cable de entrada a la unidad de descarga de antena, al tamaño de los conductores a tierra, a la ubicación de la unidad de descarga de antena, a la conexión de electrodos a tierra y a los requisitos que deben cumplir dichos electrodos.



Conexión a tierra de la antena

Conexión a tierra de la antena

Referencia	Componente de conexión a tierra
①	Equipo de suministro eléctrico
②	Electrodos de conexión a tierra de la alimentación eléctrica (NEC Art 250, Parte H)
③	Toma de tierra
④	Conductores de conexión a tierra (NEC Sección 810-21)
⑤	Unidad de descarga de la antena (NEC Sección 810-20)
⑥	Toma de tierra
⑦	Cable de antena

- Para evitar un incendio, no ponga nunca ningún tipo de vela o llama al descubierto encima o cerca del televisor.
- Para impedir un incendio o una descarga eléctrica, no exponga este aparato a ningún tipo de goteo ni salpicaduras de líquidos. Tampoco deberán ponerse encima del producto objetos que contengan líquido, como floreros.
- Para evitar incendios y descargas eléctricas, no ponga el cable de alimentación de CA bajo el televisor u otros objetos pesados.
- Apague el aparato y desconecte el cable de alimentación de CA (ca) de la toma de corriente antes de manejarlo.

Información importante

El televisor debe ser reparado por un técnico autorizado. Este televisor no puede ser reparado por el usuario.

Los cambios pueden dañar el televisor y anular la garantía. Los cambios o modificaciones que no estén expresamente aprobados por el fabricante podrían anular la autorización para que el usuario utilice el equipo.

Información sobre el reciclaje

Para obtener información sobre el reciclaje de este producto a través de HP, consulte:

<http://www.hp.com/recycle>

Es posible que en su región existan otras opciones de reciclaje. Si se encuentra en EE.UU. y Canadá, también puede llamar al (1) (888) 485-1849.

Cumplimiento de la norma ENERGY STAR

Los productos cuyo embalaje está marcado con el logotipo ENERGY STAR cumplen con las directrices ENERGY STAR de la Agencia de Protección del Medio Ambiente de EE.UU. en cuanto al uso eficiente de la energía.



Los productos con la etiqueta ENERGY STAR están diseñados para utilizar menos energía, por lo que contribuyen a ahorrar dinero en las facturas de electricidad y a proteger el medio ambiente.

ENERGY STAR es una marca registrada propiedad del gobierno de EE.UU.

Tratamiento de los materiales

Este producto HP contiene los siguientes materiales que puede que requieran un tratamiento especial al final de su vida útil:

- Mercurio en la lámpara fluorescente de la pantalla LCD.

El tratamiento especial del mercurio puede que esté regulado debido a consideraciones medioambientales. Para obtener información sobre cómo deshacerse del material o cómo reciclarlo, contacte con las autoridades locales o con la Electronic Industries Alliance (EIA) (<http://www.eia.org>).

Precauciones de limpieza

Desenchufe el televisor antes de limpiar la pantalla.

El uso de disolventes, como alcohol, o de productos abrasivos, como toallitas humedecidas o tratadas químicamente, puede dañar el televisor o la pintura del marco.

No exponga el producto a gases ni líquidos volátiles, como pesticidas.

No permita que el televisor entre en contacto con productos de vinilo o caucho durante un tiempo prolongado. Un contacto prolongado podría eliminar o degradar la superficie.

Precauciones para el traslado

El televisor es pesado; para trasladarlo a otro lugar, no olvide seguir siempre los principios de ergonomía.

Debido al tamaño y al peso del televisor, se recomienda que el traslado del televisor se realice entre dos personas como mínimo.

Para transportar el televisor agarre los extremos izquierdo y derecho del panel en las zonas inferior y superior de la pantalla. No levante el televisor por la base.

Nunca coloque el televisor con el cristal de la pantalla hacia abajo, a menos que esté protegido por almohadillas.

Table des matières

Medidas de seguridad importantes.....	iii
INFORMACIÓN.....	iv
Instrucciones de seguridad importantes	v
Información importante.....	viii

Familiarización con el televisor 1

Identificación de los elementos incluidos en el embalaje.....	2
Ubicación de los controles y conectores del televisor.....	3
Limpieza	6
Precauciones de limpieza	6
Limpieza del televisor.....	6

Instalación del televisor 7

Selección de una ubicación adecuada.....	7
Traslado del televisor	8
Montaje o desmontaje de la base.....	8
Cómo conectarse al televisor	10
Elección de la conexión AV	10
Conexión de las fuentes de señal del televisor.....	11
Conexión de la televisión por cable o la antena de recepción por ondas.....	12
Conexión de la señal por cable o por satélite con un receptor externo.....	12
Conexión de un reproductor de DVD, VCR, DVR, consola de videojuegos o videocámara... ..	14
Conexión de una videograbadora para grabar	16
Conexión de un PC.....	16
Conexión de un sistema de sonido externo	17
Conexión de la alimentación del televisor.....	18

Encendido del televisor 19

Encendido y apagado del televisor.....	19
Uso del asistente de ajuste inicial	20

Manejo del televisor21

Uso del mando a distancia	21
Uso de mandos a distancia universales.....	21
Instalación o sustitución de las pilas del mando a distancia	21
Identificación de los botones del mando a distancia.....	22
Ajuste del volumen	24
Silenciamiento del sonido	24
Cambio del modo de imagen.....	24
Cambio de canales.....	24
Selección del último canal.....	24
Selección de un canal favorito.....	24
Visualización de información del programa	25
Selección de la fuente de entrada.....	25
Cambio de visualización mediante el botón Aspecto	26
Activación de los subtítulos	27
Ajuste del modo estéreo SAP/MTS.....	27
Cambio del modo de audio	27
Activación del temporizador de apagado.....	27
Ajustes del televisor.....	28
Abrir y cerrar el menú en pantalla (OSD).....	28

Cambio de los ajustes del televisor29

Uso de los menús en pantalla.....	29
Uso del menú Imagen.....	30
Ajustes de imagen.....	31
Uso del menú Audio.....	32
Ajuste del sonido	32
Uso del menú Canal.....	33
Uso del menú Parental (Control) (Control de padres).....	34
Uso de la contraseña.....	34
Ajuste del Control de padres	35
Liberar temporalmente un programa bloqueado	39
Reactivación del control parental tras un desbloqueo temporal.....	39

Uso del menú Instalación.....	40
Uso del menú Tiempo.....	40
Uso del menú Subtitulado	40
Menú de subtitulado	40
Establecer el idioma de los menús en pantalla (OSD)	42
Inicio del asistente de configuración	42
Cambiar las etiquetas de entrada	42
Restablecimiento de la configuración predeterminada.....	43

Cómo obtener respuestas a preguntas45

Términos comunes en el campo de la televisión.....	45
¿Qué son la televisión analógica, la televisión digital y la televisión de alta definición (HDTV)?.....	45
¿Cuál es la diferencia entre los formatos de señales progresivo y entrelazado en el caso de la televisión digital?	45
¿Qué es el índice de aspecto variable?	46
¿Qué es HDMI?.....	46
Identificación de los cables utilizados	47

Especificaciones 49

Gráfica de compatibilidad con PC.....	52
---------------------------------------	----

Resolución de problemas 53

Familiarización con el televisor

Gracias por adquirir un televisor LCD de alta definición de HP. Todos los televisores de alta definición de HP combinan imágenes de primera categoría con un diseño estilizado y elegante.

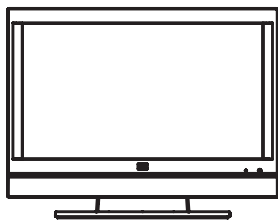
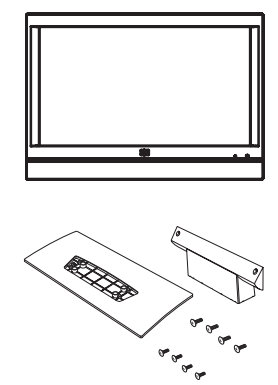

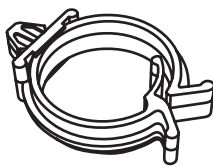
Características:

- Precisión de imagen excepcional con imágenes claras, nítidas y de sólidos tonos negros que dan vida a los detalles más sutiles, gracias a un avanzado motor de vídeo que ofrece un ajuste de contraste dinámico y una nitidez mejorada de calidad fotográfica. Este televisor HP tiene un sistema de enriquecimiento de color basado en un filtro Digital Comb Y/C 3D que produce tonos precisos y frescos.
- Sonido fantástico y potente que emana de dos altavoces integrados. El sistema de altavoces de alta fidelidad de HP se complementa con la tecnología de procesamiento de audio Virtual Sound de HP, que mejora la claridad vocal y los graves para proporcionar una experiencia de sonido envolvente.
- Una amplia variedad de entradas analógicas y digitales, entre ellas un sintonizador de HDTV integrado, HDMI y entradas de vídeo componente. Los conectores de salida de audio digital y analógico permiten conectar sin problemas altavoces de audio externos o un receptor de audio.
- Un televisor con un acabado de lujo que queda bien con cualquier tipo de decoración. El soporte de sobremesa es estilizado y elegante, y además de desmontable.
- Mejora de nitidez fotográfica que produce imágenes nítidas y cristalinas.
- Adaptación de contraste dinámico, que permite ajustar la calidad de la imagen de forma independiente por cada escena.
- Reducción adaptativa del ruido de movimiento, que reduce el ruido visual sin reducir el nivel de detalle.
- Tecnología avanzada de escalado y procesamiento de películas, que permite disfrutar de los DVD y de programas de televisión de definición estándar en una pantalla de gran tamaño.
- Sintonizador analógico/HDTV digital integrado— para presentaciones de alta definición recibidas por cable o por antena.
- Puertos HDMI que permiten transportar vídeo y audio digitales a través de un solo cable.
- Pantalla de larga duración que proporciona hasta 60.000 horas de funcionamiento.

Todas las especificaciones representan las especificaciones típicas proporcionadas por los fabricantes de componentes HP; el rendimiento real puede ser mayor o menor.

La vida del panel se determina como el tiempo durante el que la luminancia es del 50% del valor inicial utilizando la corriente típica con operación continua a $\pm 25^{\circ}\text{C}$. 60.000 horas equivale a más de veintitrés años con el televisor encendido durante siete horas al día.

Identificación de los elementos incluidos en el embalaje

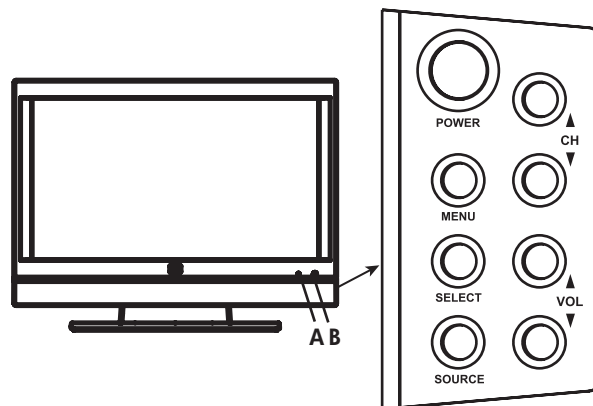
	Televisor con base integrada
	<p><i>O bien para algunos modelos:</i></p> <ul style="list-style-type: none">■ Panel de televisor (con base desmontada)■ Base del televisor (dos piezas) y ocho tornillos
	Mando a distancia
	Cable de alimentación CA (ca)
	Abrazadera para cables
	Documentación

Ubicación de los controles y conectores del televisor

El televisor contiene controles (indicadores y botones) y conectores.

Controles del televisor

Los indicadores del televisor se encuentran en la parte frontal y los botones en la parte derecha.

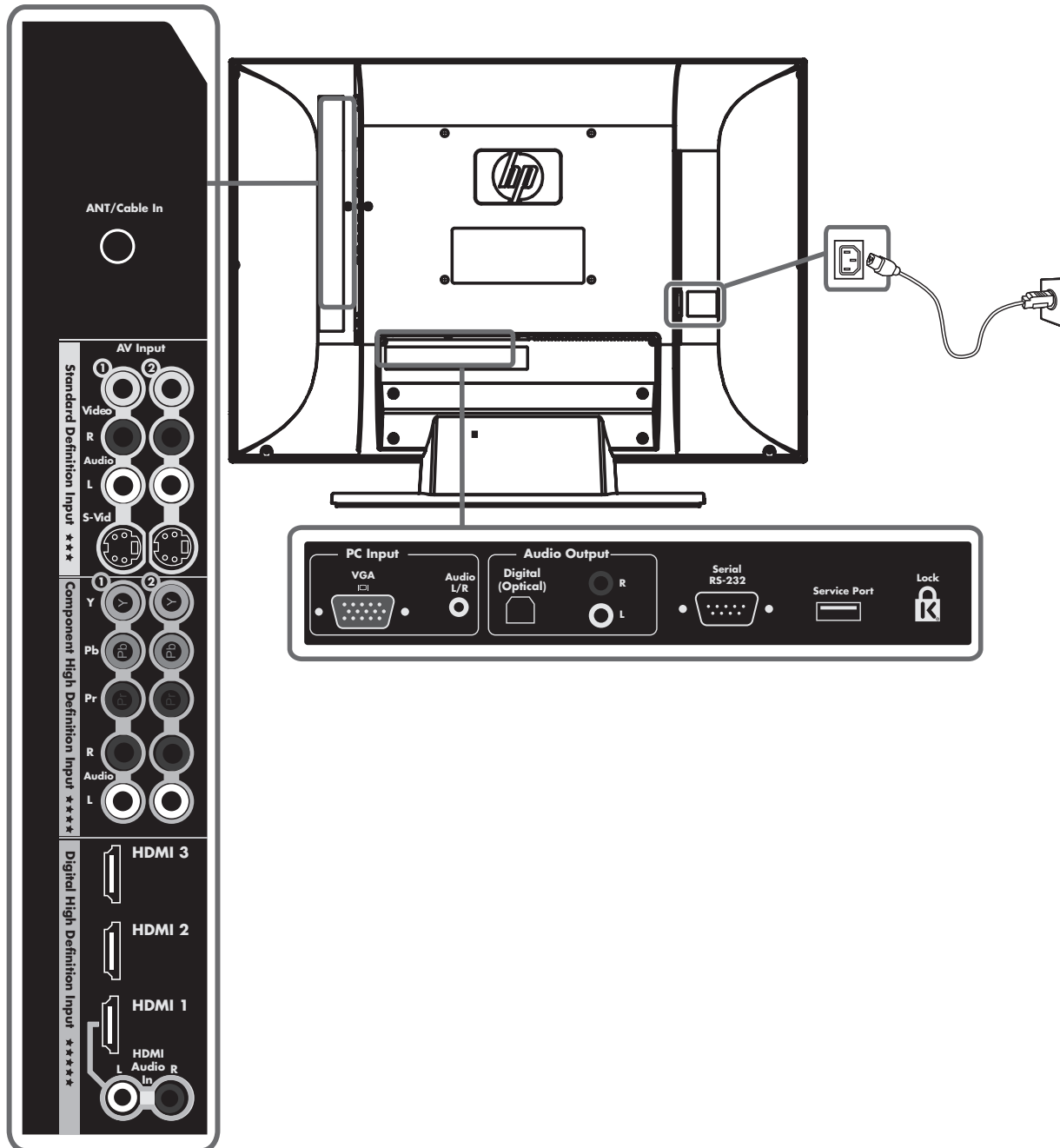


Botón del televisor	Descripción
A: Luz de encendido	Luz de encendido indica si el televisor está encendido o apagado. El indicador es de color azul cuando el televisor está enchufado pero apagado. El indicador es de color amarillo si el televisor se está cargando al encenderla; se apaga al cabo de unos 30 segundos. El indicador está apagado cuando el televisor no está enchufado.
B: Sensor del mando a distancia	El sensor del mando a distancia es el punto al que hay que apuntar el mando a distancia.
POWER (ENCENDIDO)	Pulse el botón de Power (Encendido) para encender o apagar el televisor.
MENÚ	Menu (Menú) sirve para abrir y cerrar el menú en pantalla (OSD).
SELECT (SELECCIONAR)	Select (Seleccionar) inicia la función de sincronización automática para una señal de un PC conectado. En un menú OSD, selecciona el elemento resaltado.
SOURCE (FUENTE)	Source (Fuente) permite seleccionar la fuente de la señal: Pulse Fuente para visualizar una lista de fuentes de entrada. Pulse los botones de Canal para seleccionar la fuente de la señal y pulse Select (Seleccionar). Pulse Fuente para cerrar la lista. En un menú OSD, funciona como botón Atrás o para subir un elemento o un nivel de menú.
▲ CH ▼	Los botones Canal seleccionan el siguiente canal o el anterior. En un menú OSD sirve para subir y bajar por el menú.
▲ VOL ▼	Los botones de Volumen sirven para incrementar o reducir el volumen del sonido. En un menú OSD, sirven para desplazarse hacia la derecha y la izquierda del menú o para ajustar un elemento.

Conectores del televisor

Los conectores se encuentran en la parte trasera del televisor.

Los conectores del televisor que se muestran en la ilustración siguiente se encuentran en los lados izquierdo, central y derecho de la parte trasera del televisor. Los conectores HDMI 3 y RS-232 están presentes sólo en algunos modelos.



Televisor (parte trasera)	Descripción
<ul style="list-style-type: none"> ■ Entrada ANT/Cable 	Para conectar un cable coaxial procedente de una antena o fuente de señales por cable.
<p>Entrada de definición estándar:</p> <ul style="list-style-type: none"> ■ Entrada AV 1: S-Vid, Vídeo, Audio L y R ■ Entrada AV 2: S-Vid, Vídeo, Audio L y R 	<p>Para cada conjunto de conectores de entrada AV:</p> <ul style="list-style-type: none"> ■ Conecte un cable S-Video y los cables de audio izquierdo y derecho procedentes de un equipo opcional. <p>○ <i>bien</i></p> <p>Permite conectar un cable de vídeo compuesto y los cables de audio izquierdo y derecho del equipo opcional.</p> <p>(Los conectores de audio L y R están compartidos con el conjunto de conectores AV.)</p>

!

No conecte cables de vídeo a los conectores de entrada S-Vid y Vídeo a la vez.

Televisor (parte trasera)	Descripción (continuación)
<p>Entrada de alta definición de vídeo componente:</p> <ul style="list-style-type: none"> ■ 1: Y, Pb y Pr y Audio L y R ■ 2: Y, Pb y Pr y Audio L y R 	<p>Para conectar los cables de vídeo por componentes y los cables de audio izquierdo y derecho procedentes de los equipos opcionales.</p> <p>Es compatible con entradas de formato 480i, 480p, 720p y 1080i analógicos y de alta definición. El televisor detecta automáticamente lo que se ha conectado. Algunos receptores deben configurarse para una resolución de salida específica.</p>

Televisor (parte trasera)	Descripción (continuación)
<p>Entrada de alta definición digital:</p> <ul style="list-style-type: none"> ■ HDMI 1 con HDMI Audio In L y R ■ HDMI 2 ■ HDMI 3 (sólo en algunos modelos) 	<p>Es compatible con las entradas de formatos 480i, 480p, 720p, 1080i y 1080p digitales. El televisor detecta automáticamente lo que se ha conectado. Algunos receptores deben configurarse para una resolución de salida específica.</p> <p>Para cada conector HDMI (High-Definition Multimedia Interface): Conecte un cable HDMI de equipamiento de alta-definición digital opcional.</p> <p>Para HDMI1 con HDMI Audio In: Conecte un cable DVI y un convertor DVI a HDMI desde equipamiento DVI opcional y los cables de audio de izquierda a derecha conectados a HDMI Audio In L y R.</p>
<p>PC Input:</p> <ul style="list-style-type: none"> ■ VGA ■ Audio L/R 	<p>Conecte un cable VGA y un cable de audio procedente de su PC (Line out) para utilizar el televisor como monitor.</p>
<p>Salida de audio:</p> <ul style="list-style-type: none"> ■ Digital (óptico) ■ Salida de audio L y R 	<p>Para transferir sonido hacia un sistema de audio externo:</p> <ul style="list-style-type: none"> ■ Conecte un cable óptico para salida digital a un sistema de audio digital externo. ■ Conecte los cables de audio derecho e izquierda para sonido estéreo a un sistema de audio externo (analógico). Utilice el conector izquierdo (blanco) para sonido mono (un solo cable).

Televisor (parte trasera)	Descripción <i>(continuación)</i>
■ RS-232 serie (sólo en algunos modelos)	Utilizado exclusivamente para fines comerciales.
■ Puerto de servicio	Utilizado exclusivamente para reparación.
■ Ranura para Kensington Lock	Utilícela para colocar un candado para proteger su televisor.
■ Entrada de CA	Conecte el cable de alimentación incluido. NOTA: Utilice sólo el cable de alimentación suministrado.

Limpieza

Precauciones de limpieza

Desenchufe el televisor antes de limpiar la pantalla.

La pantalla del televisor tiene una capa especial antirreflejante. El uso de disolventes, como alcohol, o de productos abrasivos, como toallitas humedecidas o tratadas químicamente, puede dañar la capa de la pantalla o la pintura del marco.

No exponga el producto a gases ni líquidos volátiles, como pesticidas.

No permita que el televisor entre en contacto con productos de vinilo o caucho durante un tiempo prolongado. Un contacto prolongado podría levantar el recubrimiento o degradar la superficie.

Limpieza del televisor

Para limpiar la pantalla, utilice un paño sin pelusas ligeramente humedecido en agua. Pase el paño por la pantalla sin aplicar presión.

Para limpiar la carcasa exterior, utilice el mismo método.

No utilice productos de limpieza líquidos ni aerosoles.

Instalación del televisor

HP recomienda que un instalador autorizado realice la instalación profesional del televisor de alta definición HP para garantizar su máximo disfrute. Asegúrese de leer todas las precauciones e información de seguridad antes de comenzar la instalación. Consulte los siguientes temas:

- “Medidas de seguridad importantes” en la página iii
- “Instrucciones de seguridad importantes” en la página v
- “Información importante” en la página viii

Selección de una ubicación adecuada

Al seleccionar la ubicación para su televisor de alta definición de HP, tenga en cuenta lo siguiente:

- La longitud del cable de alimentación: elija un lugar con fácil acceso a una toma de CA (ca).
- La longitud de los cables y la distancia a las unidades conectadas: asegúrese de que los cables llegan sin problema al televisor.



Para ver programación en alta definición tiene que tener una fuente de señal de alta definición conectada al televisor, tal como una señal de antena o cable de alta definición, un receptor de cable o satélite de alta definición o un reproductor de -DVD de alta definición. Todas las fuentes excepto la señal de alta definición de cable o antena de alta definición deben conectarse a las entradas de alta definición del televisor.

- No instale el televisor sobre un carro o soporte inestable, ya que podría caerse y causar lesiones.
- No instale el televisor de forma que sobresalga del soporte, por ejemplo, sobre una mesa más pequeña que el televisor.

- No cuelgue el televisor del techo; podría caerse y causar lesiones.
- Evite la exposición a la luz solar directa, que puede dañar la pantalla o interferir con el uso del mando a distancia.
- Evite los lugares con un alto grado de humedad, que puedan provocar una descarga eléctrica o un incendio.
- No instale el televisor cerca de otros aparatos eléctricos, como un microondas, ni cerca de una fuente de calor, como una chimenea o un radiador.
- No coloque el televisor sobre una superficie inclinada o inestable.
- Deje como mínimo 4 pulgadas (10 cm) libres alrededor del televisor para la ventilación.
- Montaje en la pared: El televisor se puede montar en la pared mediante un kit de montaje aprobado por HP (se vende aparte):

Televisor LCD pieza montaje plana, modelo PY043AA#ABA

Televisor LCD pieza montaje basculante, modelo PY044AA#ABA

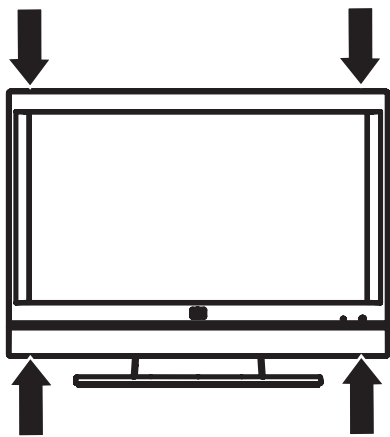
Quite la base del televisor; consulte “Montaje o desmontaje de la base” en la página 8. A continuación siga las instrucciones de instalación que vienen con el kit de montaje en la pared. HP recomienda una instalación profesional si quiere montar su televisor en la pared.

Traslado del televisor

El televisor es pesado; para trasladarlo a otro lugar, no olvide seguir siempre los principios de ergonomía.

Debido al tamaño y al peso del televisor, se recomienda que el traslado del televisor se realice entre dos personas como mínimo.

Para transportar el televisor agarre los extremos izquierdo y derecho del panel en las zonas inferior y superior de la pantalla. No levante el televisor por la base.



Mueva el televisor con cuidado. Nunca coloque el televisor con la pantalla de cristal hacia abajo, a menos que esté protegida por almohadillas.

Montaje o desmontaje de la base

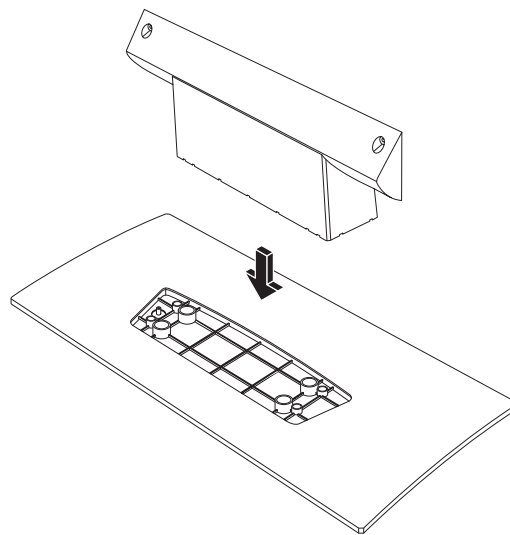
El televisor de alta definición de HP viene con la base conectada. Algunos modelos de televisor vienen con una base que debe conectarse a la pantalla. Siga estos pasos en el orden inverso para quitar la base.



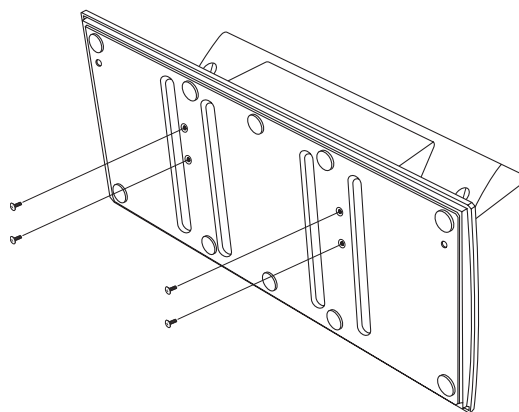
PRECAUCIÓN: Para montar el televisor se requieren dos personas.

Antes de conectar la base, desenchufe el cable de alimentación y quite el cable.

- 1 Compruebe que tiene a mano la base del televisor (dos piezas), el panel del televisor y los ocho tornillos del embalaje.
- 2 Con las dos piezas de la base coloque el pie central en la base y presione hacia abajo de forma que quede insertado dentro de la base.



- 3 Déle la vuelta a la base montada e inserte cuatro tornillos cortos en la parte inferior de la base y apriételos de forma que la base quede bien sujeta al pie.

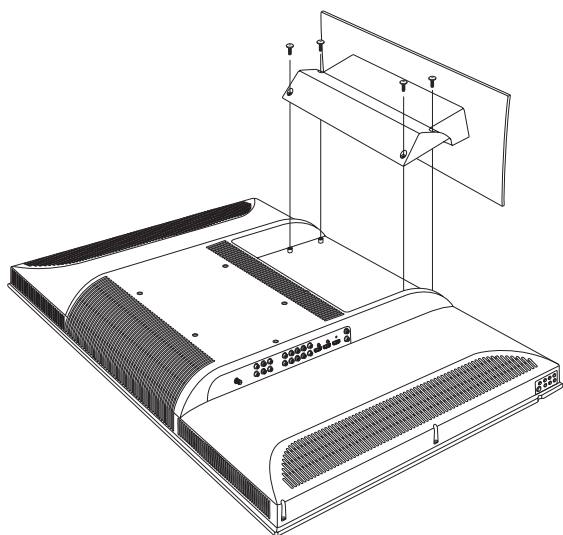


- 4 Coloque el panel del televisor con cuidado en una mesa estable, con la pantalla de cristal boca abajo. Posicione la parte inferior del panel cerca del borde de la mesa.



ADVERTENCIA: No permita que la base caiga encima del panel del televisor.

- 5 Mientras sujeta la base montada por la base con la parte trasera mirando hacia usted, coloque la base en la parte inferior del televisor. Sujete la base en su sitio.



- 6 Introduzca y ajuste cuatro tornillos largos en los orificios de la parte trasera de la base (pie) y en la parte trasera del televisor.
- 7 Levante el televisor y posiciónelo verticalmente en una mesa estable.

Cómo conectarse al televisor

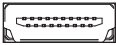


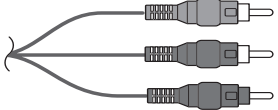



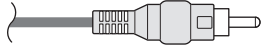
Configure el televisor con la conexión de los cables y la conexión del cable de alimentación.

Elección de la conexión AV

Al conectar equipo opcional de audio (AV) como fuente de señal, los conectores del equipo pueden limitar el tipo de conexión que puede utilizar.

Si el equipo opcional tiene más de un tipo de conector de salida, elija la conexión que proporcione la mejor calidad de reproducción de imágenes.

La tabla siguiente muestra las conexiones del equipo opcional AV disponibles en el televisor.

Conexión AV a utilizar, ordenado de más calidad a menos calidad de reproducción		
Descripción de la conexión	Conector del televisor	Clavija del cable
<p>HDMI (interfaz multimedia de alta definición) transmite una señal completamente digital. Esto es la opción recomendada para señales de alta definición y para reproducción desde un receptor digital, un DVD o un dispositivo DVR.</p> <p>En caso de un dispositivo DVI-D, puede utilizar un cable DVI con un convertor de DVI a HDMI para conectar vídeo a un conector HDMI 1 del televisor y un cable de audio para conectar audio desde la fuente a los conectores de entrada de audio HDMI L y R del televisor.</p> <p>Utilice esta conexión para señales de vídeo de alta definición en formato de entrada 480i, 480p, 720p, 1080i o 1080p desde un receptor, un reproductor de DVD u otro tipo de dispositivo. Este televisor no es compatible con entrada de audio Dolby Digital mediante HDMI. Cuando conecta un receptor, un reproductor DVD u otro dispositivo mediante el conector HDMI, coloque la salida de audio a formato PCM.</p>		
<p>Vídeo componente (Y, Pb y Pr) transmite vídeo en forma de señales independientes de los colores rojo, verde y azul. Utilice esta conexión para las señales de vídeo de definición estándar o de alta definición en formato 480i, 480p, 720p o 1080i procedentes de un DVD u otro tipo de equipamiento.</p>		
<p>S-Video transmite vídeo estándar como señales de imagen independientes en blanco-y negro y proporciona una imagen más nítida que la conexión de vídeo compuesto.</p>		
<p>Entrada de vídeo (vídeo compuesto) transmite vídeo estándar como una única señal.</p>		

Los procedimientos siguientes describen cómo conectar equipamientos opcionales para cada tipo de conexión AV, incluyendo las conexiones de audio, según el caso.

Conexión de las fuentes de señal del televisor



ADVERTENCIA: Antes de conectar el televisor a cualquier dispositivo electrónico, desenchufe el televisor y los cables de alimentación del dispositivo electrónico del enchufe de corriente.

A continuación se ofrece una explicación de los tipos de conexiones que se utilizan para un cable coaxial.

Si su antena exterior utiliza un cable coaxial de 75 ohmios con un conector tipo F, fíjela al conector de entrada ANT/Cable situado en la parte posterior del televisor.

- El sistema de 75 ohmios es generalmente un cable redondo con un conector tipo F que se puede conectar fácilmente a un conector sin necesidad de herramientas (se vende por separado).
- El sistema de 300 ohmios es un cable bifilar que se puede conectar a un conector de 75 ohmios a través de un adaptador 300/75 ohmios (se vende por separado).



El conector tipo F debe apretarse sólo con los dedos. Al conectar el cable de RF al televisor, no utilice herramientas para apretar el conector tipo F, ya que podría causar daños al televisor.



- A Cable coaxial de 75 ohmios (redondo)**
- B Cable bifilar de 300 ohmios (plano)**
- C Conector tipo F**

Conecte las fuentes de entrada al televisor de acuerdo con el tipo de conexión:

- Antena o cable básico (TV por cable o satélite) sin receptor externo: Consulte "Conexión de la televisión por cable o la antena de recepción por ondas" en la página 12.
- Señal por cable o por satélite con un receptor externo: Consulte "Conexión de la señal por cable o por satélite con un receptor externo" en la página 12.



Para conectar un sistema de sonido externo, consulte "Conexión de un sistema de sonido externo" en la página 17.

Conexión de la televisión por cable o la antena de recepción por ondas

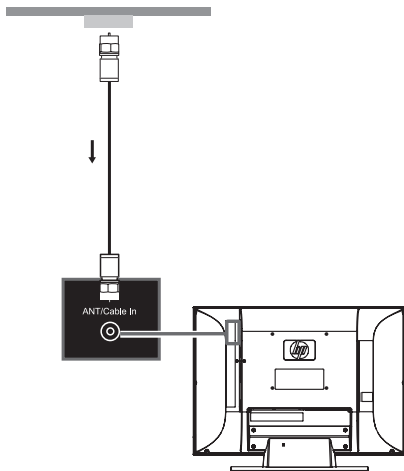
Utilice un cable coaxial estándar de 75 ohmios para conectar una antena o una fuente de entrada de televisión por cable al televisor. Utilice cable coaxial apantallado para reducir las interferencias por radiofrecuencia (RF).

El equipo opcional, el servicio de TV por cable y todos los cables se venden por separado.



PRECAUCIÓN: Desconecte la alimentación del televisor y de todos los componentes conectados antes de conectar la antena o el cable.

- 1 Conecte un cable coaxial a la fuente de entrada.
- 2 Conecte el cable coaxial de fuente de entrada al conector de entrada ANT/Cable en la parte posterior del televisor.



- 3 Conecte la alimentación del televisor; consulte "Conexión de la alimentación del televisor" en la página 18.
- 4 Encienda el televisor; consulte "Encendido y apagado del televisor" en la página 19.
- 5 Seleccione la fuente de entrada que quiere ver, además del modo de Imagen, Aspect (Formato) y demás opciones; consulte "Manejo del televisor" en la página 21.

Conexión de la señal por cable o por satélite con un receptor externo

Conectar su televisor directamente a la salida de vídeo y audio de su receptor externo garantiza una imagen más real y mejora la visualización. Consulte "Elección de la conexión AV" en la página 10 para obtener información sobre conectores y cables.

El equipo opcional y todos los cables se venden por separado.

Puede conectar un receptor de televisión digital (por ondas o terrestre) y otro equipamiento AV mediante un conjunto de conectores de una de las entradas siguientes:

- **Entrada de alta definición digital:** Conecte un cable HDMI desde el receptor digital de alta definición por ondas o terrestre a cualquiera de los conectores HDMI.

O bien

Conecte un cable DVI-D y un convertor DVI a HDMI desde un receptor digital de alta definición por ondas o terrestre mediante un conector DVI al conector HDMI 1 y los cables izquierda-derecha a los conectores HDMI Audio In L y R.

HDMI es compatible con los formatos de entrada 480i, 480p, 720p, 1080i y 1080p. El televisor detecta automáticamente lo que se ha conectado. Algunos receptores-deben configurarse para una resolución de salida específica. Los conectores HDMI son:

- HDMI 1 con HDMI Audio In L y R
- HDMI 2
- HDMI 3 (sólo en algunos modelos)
- **Entrada de alta definición de vídeo componente:** Conecte los cables de vídeo componente y los cables de audio derecho e izquierdo del cable de alta definición o del receptor de satélite.

El vídeo componente es compatible con los formatos de entrada 480i, 480p, 720p y 1080i. El televisor detecta automáticamente lo que se ha conectado. Algunos receptores-deben configurarse para una resolución de salida específica.

Los conectores de vídeo componente son:

- 1: Y, Pb y Pr y Audio L y R
- 2: Y, Pb y Pr y Audio L y R

- **Entrada de definición estándar:** Conecte un cable de S-Video o un cable de vídeo compuesto y los cables de audio izquierdo y derecho de la entrada de programación por cable o del receptor programación por satélite. (Los conectores de audio L y R están compartidos con el conjunto de conectores AV.)

Los conectores AV Input son:

- 1: S-Vid o Video y Audio L y R
- 2: S-Vid o Video y Audio L y R



Los conectores de entrada de definición estándar (S-Vid o Video) no transmiten señales de alta definición.

Para conectar el receptor externo:



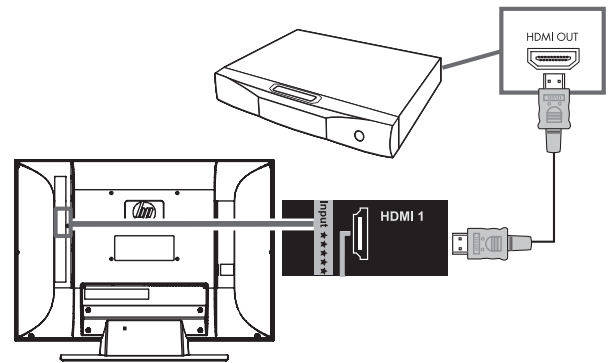
PRECAUCIÓN: Desconecte la alimentación del televisor y de todos los componentes conectados antes de conectar el receptor externo.

1 Conecte los cables de fuente de entrada del receptor externo a la parte posterior del televisor mediante uno de estos conjuntos de conectores:

- **Entrada de alta definición digital:** Conecte un cable HDMI a cualquiera de los conectores HDMI: HDMI 1, HDMI 2 o HDMI 3 (sólo en algunos modelos).

O bien

Conecte un cable DVI-D y un convertor DVI a HDMI (desde un receptor digital de alta definición por ondas o terrestre mediante un conector DVI) al conector HDMI 1 y los cables izquierda-derecha a los conectores HDMI Audio In L y R.

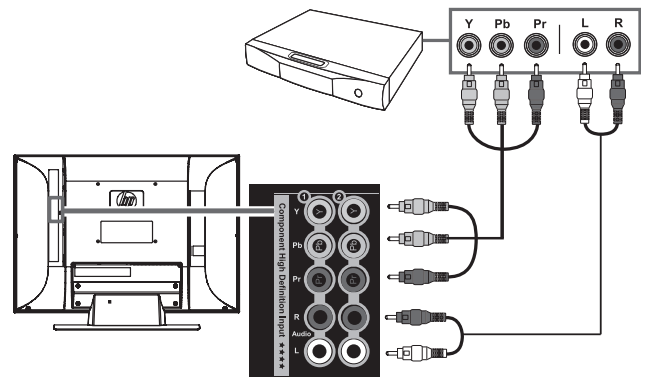


- **Entrada de alta definición de vídeo componente:** Conecte los cables de vídeo componente y los cables de audio izquierdo y derecho a los conectores de vídeo componente.

- 1: Y, Pb y Pr y Audio L y R

O bien

- 2: Y, Pb y Pr y Audio L y R



- **Entrada de definición estándar:**

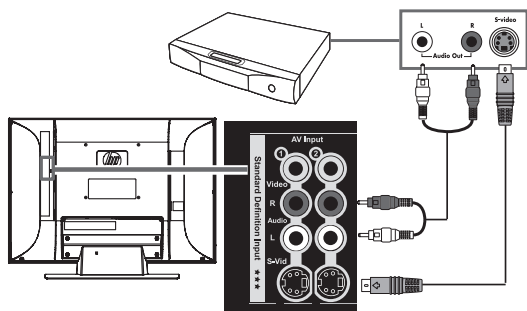
Conecte un cable S-Video o un cable de vídeo compuesto y los cables de audio izquierdo y derecho a los conectores AV Input:

- 1: S-Vid o Video y Audio L y R

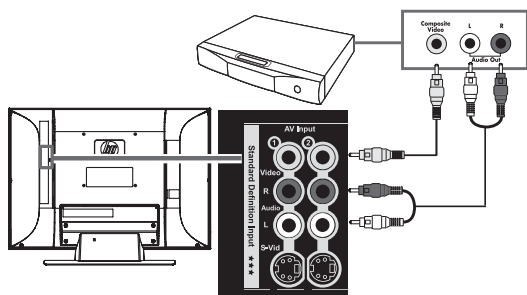
O bien

- 2: S-Vid o Video y Audio L y R

Conexión S-Video



Conexión Video



Los conectores de S-Video y Video comparten los conectores de audio Audio L y R. (Los conectores S-VID y Video del conjunto de conectores AV Input 1 comparten los conectores de Audio; los conectores AV Input 2 S-Video y Video comparten los conectores.)

No conecte cables de vídeo a los conectores de entrada S-Video y Video en un mismo televisor.

- 2 Conecte los cables al receptor externo.
- 3 Encienda el receptor externo.
- 4 Conecte la alimentación del televisor; consulte "Conexión de la alimentación del televisor" en la página 18.
- 5 Encienda el televisor; consulte "Encendido y apagado del televisor" en la página 19.
- 6 Seleccione la fuente de entrada que quiere ver, además del modo de Imagen, Aspect (Formato) y demás opciones; consulte "Manejo del televisor" en la página 21.

Conexión de un reproductor de DVD, VCR, DVR, consola de videojuegos o videocámara

Puede conectar equipo opcional (que se vende por separado), como un reproductor de DVD, VCR, DVR, etc. al televisor.

El equipo opcional, como un sistema de sonido externo, y todos los cables, se venden por separado.

Para conectar un vídeo para reproducción, puede utilizar la conexión S-Video o la Video (vídeo compuesto). El televisor no tiene conectores de salida de vídeo.

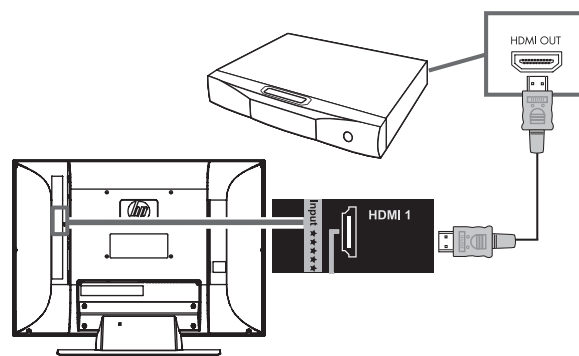


PRECAUCIÓN: Desconecte la alimentación del televisor y de todos los componentes conectados antes de conectar el equipo opcional. Asegúrese de que el equipo opcional esté apagado.

Conexión un reproductor DVD digital de alta definición u otro equipamiento mediante un cable HDMI

Ésta es la conexión recomendada para vídeo y audio de alta definición. El cable de HDMI se vende por separado.

- 1 Conecte un cable HDMI a cualquiera de los conectores HDMI de la parte trasera del televisor: HDMI 1, HDMI 2 o HDMI 3 (sólo en algunos modelos). (No hay una entrada de audio especial para HDMI.)



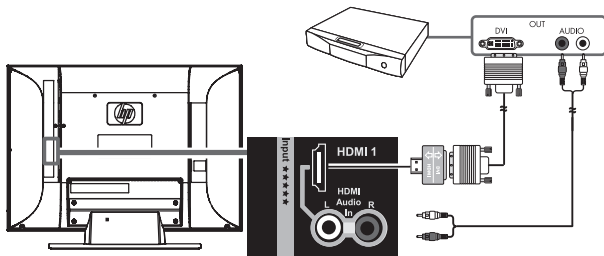
- 2 Conecte el cable al reproductor DVD o equipamiento fuente.

- 3 Encienda el reproductor DVD e inicie la reproducción.
- 4 Conecte la alimentación del televisor; consulte "Conexión de la alimentación del televisor" en la página 18.
- 5 Encienda el televisor; consulte "Encendido y apagado del televisor" en la página 19.
- 6 Seleccione la fuente de entrada que quiere ver, además del modo de Imagen, Aspect (Formato) y demás opciones; consulte "Manejo del televisor" en la página 21.

Conexión un reproductor DVD digital de alta definición u otro equipamiento mediante un cable DVI

El cable DVI-D, el convertor de DVI a HDMI y el cable de audio se venden por separado.

- 1 Conecte un cable DVI-D y un convertor de DVI a HDMI a HDMI 1 en la parte trasera del televisor y los cables de audio a las entradas HDMI Audio In L y R.



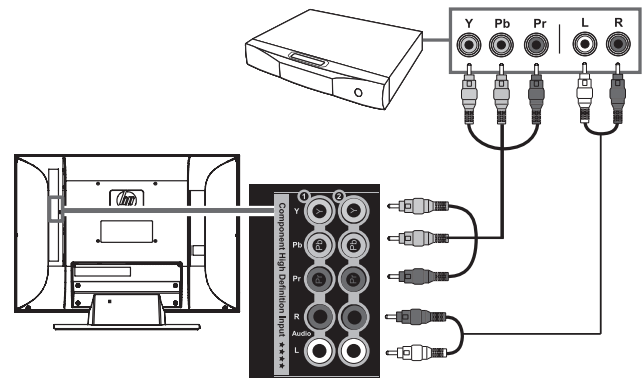
- 2 Conecte el cable DVI al conector DVI-D del reproductor DVD.
- 3 Conecte el cable de audio a los conectores de salida de audio del reproductor DVD.
- 4 Encienda el reproductor DVD e inicie la reproducción.
- 5 Conecte la alimentación del televisor; consulte "Conexión de la alimentación del televisor" en la página 18.
- 6 Encienda el televisor; consulte "Encendido y apagado del televisor" en la página 19.
- 7 Seleccione la fuente de entrada que quiere ver, además del modo de Imagen, Aspect (Formato) y demás opciones; consulte "Manejo del televisor" en la página 21.

Conexión un reproductor DVD de alta definición u otro equipamiento mediante cables de vídeo componente

Hay dos conjuntos de conectores de vídeo componente de alta definición que puede utilizar:

- 1: Y, Pb y Pr y Audio L y R
- 2: Y, Pb y Pr y Audio L y R

- 1 Conecte los cables de vídeo componente y los cables de audio derecho e izquierdo a los conectores Component de la parte trasera del televisor.



- 2 Conecte los cables al reproductor DVD.
- 3 Encienda el reproductor DVD e inicie la reproducción.
- 4 Conecte la alimentación del televisor; consulte "Conexión de la alimentación del televisor" en la página 18.
- 5 Encienda el televisor; consulte "Encendido y apagado del televisor" en la página 19.
- 6 Seleccione la fuente de entrada que quiere ver, además del modo de Imagen, Aspect (Formato) y demás opciones; consulte "Manejo del televisor" en la página 21.

Conexión de un reproductor DVD de definición estándar u otro tipo de equipamiento de definición estándar con los cables S-Video o Video

Conecte un reproductor DVD de definición estándar, un VCR, una consola, una cámara de vídeo u otro equipamiento mediante los conectores S-Vid o Video (vídeo compuesto). Estos conectores no transmiten señales de alta definición.

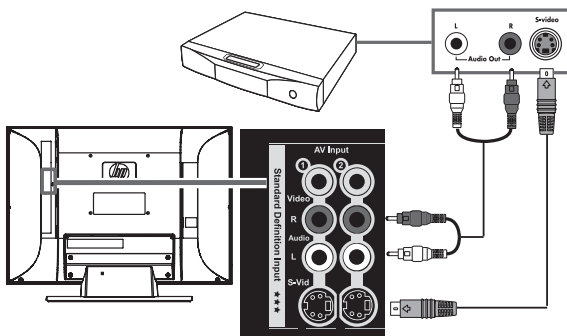
!

Los conectores de entrada de S-Vid y Video comparten los conectores de audio del conjunto. No conecte cables de vídeo a los conectores de entrada S-Vid y Video en un mismo televisor.

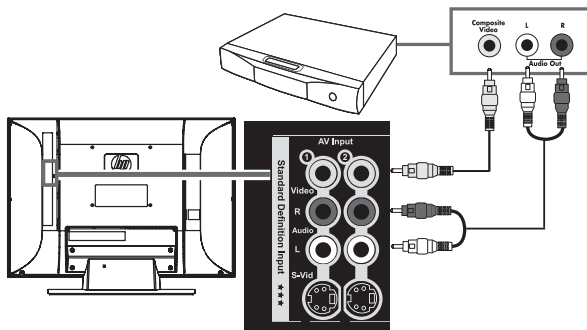
1 Conecte un cable de S-Video o un cable de vídeo compuesto mediante un los conectores AV Input en la parte trasera del televisor:

- 1: S-Vid o Video y Audio L y R
- 2: S-Vid o Video y Audio L y R

Conexión S-Vid



Conexión Video



2 Conecte el cable de vídeo al reproductor DVD u otro tipo de equipamiento fuente:

- Para un reproductor DVD, VCR, DVR u otro tipo de equipamiento que tenga un conector S-Video utilice un cable S-Video.

○ bien

Para un DVD, VCR, DVR u otro tipo de equipamiento que tenga un conector de vídeo compuesto, utilice un cable de vídeo compuesto.

- 3 Conecte el cable de audio a los conectores de audio izquierdo y derecho del televisor.
- 4 Conecte los cables de audio al reproductor DVD.
- 5 Encienda el reproductor DVD e inicie la reproducción.
- 6 Conecte la alimentación del televisor; consulte "Conexión de la alimentación del televisor" en la página 18.
- 7 Encienda el televisor; consulte "Encendido y apagado del televisor" en la página 19.
- 8 Seleccione la fuente de entrada que quiere ver, además del modo de Imagen, Aspect (Formato) y demás opciones; consulte "Manejo del televisor" en la página 21.

Conexión de una videograbadora para grabar

El televisor no transmite ninguna señal para grabar.

Conexión de un PC

Utilice las instrucciones siguientes al conectar un PC u otro tipo de equipamiento al conector de entrada de PC (conectores de monitor VGA y Audio L/R) en la parte trasera del televisor. La entrada para PC (PC Input) es una fuente de entrada que se puede seleccionar (opción PC de la lista de fuentes). Los cables se venden por separado.



Consulte "Gráfica de compatibilidad con PC" en la página 52 para ver una lista de las señales de PC compatibles con el televisor.

También puede conectar un PC con un conector DVI:

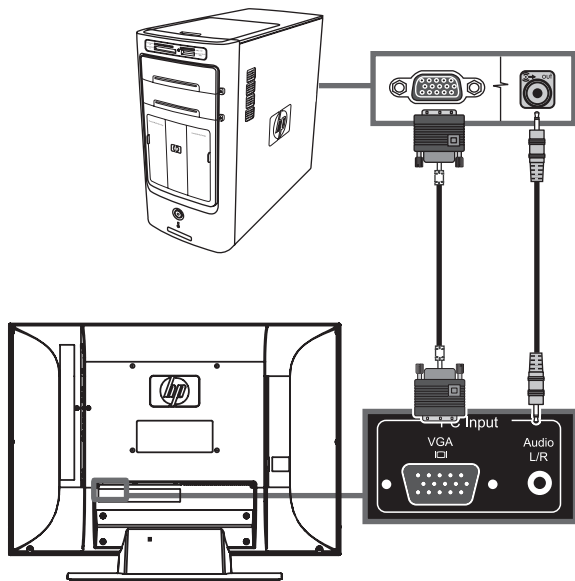
- En caso de un PC con conector DVI-D, conecte un cable DVI-D y un convertor DVI a HDMI a HDMI 1 y los cables de audio izquierdo y derecho a las entradas HDMI Audio In L y R.
- En caso de un PC con un conector DVI-I, conecte un cable DVI-I y un convertor DVI a VGA a la entrada de PC (VGA) y el audio al conector de entrada de audio de PC Audio L y R.

Para conectar un PC mediante los conectores de entrada de PC:



PRECAUCIÓN: Desconecte la alimentación del televisor y de todos los componentes conectados antes de conectar un PC. Asegúrese de que el ordenador esté apagado.

- 1 Conecte el cable de vídeo del PC o del equipo fuente al televisor mediante la entrada de PC (VGA).



- 2 Conecte el cable de audio del equipo fuente al conector de entrada de audio de PC L/R.
- 3 Conecte los cables de audio y VGA al PC o equipo fuente.
- 4 Conecte la alimentación del televisor; consulte "Conexión de la alimentación del televisor" en la página 18.
- 5 Encienda el televisor; consulte "Encendido y apagado del televisor" en la página 19.
- 6 Conecte y encienda el PC o el equipo fuente.
- 7 Seleccione la fuente de entrada que quiere ver, además del modo de Imagen, Aspect (Formato) y demás opciones; consulte "Manejo del televisor" en la página 21.
- 8 Ajuste la imagen, incluido Sinc. auto., mediante la opción Pantalla de PC del menú en pantalla (OSD) Imagen; consulte "Ajuste de la imagen de pantalla de PC" en la página 31.

También puede iniciar la sincronización automática para la imagen del PC mediante el botón Seleccionar del televisor.

Conexión de un sistema de sonido externo

Puede conectar un sistema de sonido externo al televisor mediante los conectores de salida de audio para una señal de audio digital o analógica:

- Utilice un cable de audio óptico y el conector de salida de audio digital (óptica) en la parte posterior del televisor para transferir una señal de audio digital al sistema de sonido externo, como un receptor digital o un sistema de sonido ambiente.
- Utilice un cable de audio y conectores de salida de audio izquierdo y derecho en la parte posterior del televisor para transferir una señal de audio analógica a un sistema de sonido externo, como un amplificador analógico o un sistema estéreo.

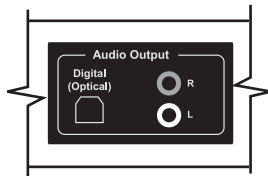
La señal de fuente de entrada y la configuración del menú de Audio en la pantalla determinan el tipo de salida de audio. Este televisor no es compatible con entrada de audio Dolby Digital mediante HDMI. Cuando conecta un receptor, un reproductor DVD u otro dispositivo mediante el conector HDMI, coloque la salida de audio a formato PCM. Consulte "Comprender la salida de audio" en la página 32 para obtener información sobre el tipo de salida de audio.



PRECAUCIÓN: Desconecte la alimentación del televisor y de todos los componentes conectados antes de conectar un sistema de sonido externo. Asegúrese de que el sistema de sonido externo esté apagado.

1 Conecte el sistema de sonido externo al televisor:

- Para la conexión digital, conecte un cable de audio óptico al conector de salida de audio digital (óptico) en la parte posterior del televisor y al sistema de sonido externo, como un receptor digital o un sistema de sonido ambiente.
- Para la conexión analógica, conecte un cable de audio a los conectores de salida de audio izquierdo y derecho en la parte posterior del televisor y al sistema de sonido externo, como un amplificador analógico o un sistema estéreo.

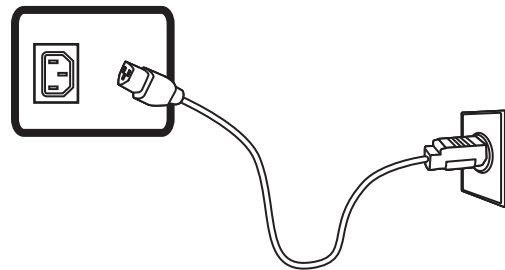


- 2 Conecte la alimentación del televisor; consulte "Conexión de la alimentación del televisor" en la página 18.
- 3 Encienda el televisor; consulte "Encendido y apagado del televisor" en la página 19.
- 4 Conecte y encienda el sistema de sonido externo.

- 5 Defina el formato de audio digital utilizando la opción Audio digital del menú en pantalla de Audio; consulte "Elección del modo de salida de audio digital" en la página 32.
- 6 Si quiere, puede apagar los altavoces del televisor mediante la opción Altavoces del menú en pantalla Audio; consulte "Uso del menú Audio" en la página 32.

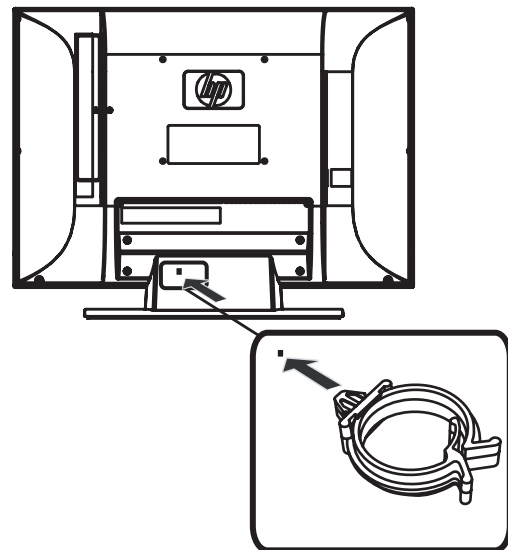
Conexión de la alimentación del televisor

1 Conecte el cable de alimentación al conector de la parte trasera del televisor.



2 Conecte el cable de alimentación en la toma de corriente.

3 Inserte la abrazadera para cables de la caja en el agujero cuadrado de la parte trasera del televisor.



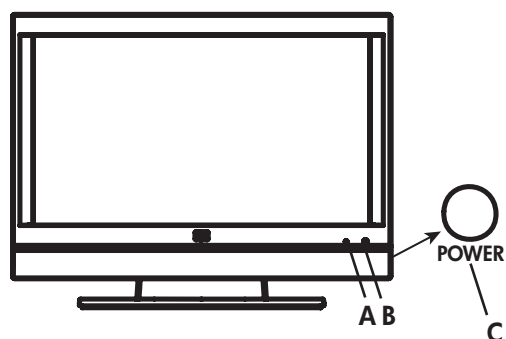
4 Haga pasar los cables por la abrazadera.

Encendido del televisor

Encendido y apagado del televisor

El televisor dispone de un botón de encendido a la derecha del panel. Para encender el televisor también se puede utilizar el botón de encendido del mando a distancia.

Cuando se pulsa el botón de encendido, el televisor se enciende o se apaga.



- A Luz de encendido**
- B Sensor del mando a distancia**
- C Botón de encendido**

La luz de encendido indica si el televisor está encendido o apagado.

Luz de encendido	Estado del televisor
Iluminado en azul	El televisor está apagado pero enchufado
Luces amarillas	El televisor se está cargando (el indicador se apaga al cabo de 30 segundos)
Apagado	El televisor está encendido o el cable de corriente está desconectado
Parpadeo amarillo o parpadeo azul	Se está realizando el diagnóstico de inicio o bien se ha producido un error

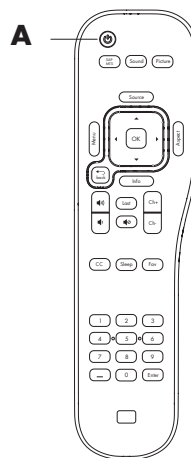


El ajuste inicial comienza al encender el televisor por primera vez. Si el televisor ya fue encendido con anterioridad, el Asistente de configuración no se pondrá en marcha. Para ejecutar el Asistente de configuración desde el menú de la pantalla (OSD) consulte "Inicio del asistente de configuración" en la página 42.

Si no va a utilizar el televisor durante algún tiempo, pulse el botón de encendido para apagarlo y a continuación desenchufe el cable de alimentación.

Uso del mando a distancia para apagar y encender el televisor

Apunte el mando a distancia al sensor de la parte frontal del televisor y pulse el botón de encendido. El televisor se encenderá o se apagará.



- A Botón de encendido del mando a distancia**

Uso del asistente de ajuste inicial

Ajuste inicial

Al encender el televisor por primera vez, el Asistente de ajuste inicial le guiará por las siguientes opciones:

- Ajuste del idioma de los menús en pantalla.
- Ajuste de la fecha, hora y zona horaria.
- Selección de una fuente de señales.
- Búsqueda de una fuente de señales de televisión (antena o cable) y memorización de los canales de televisión disponibles.

Puede iniciar el Asistente de configuración utilizando el menú Sistema de la pantalla (OSD); consulte "Inicio del asistente de configuración" en la página 42.

Preparación

Ejecute los pasos siguientes antes de pulsar el botón de encendido en el mando a distancia:

- 1 Inserte las pilas en el mando a distancia.
- 2 Conecte la fuente de la señal de antena o cable al televisor .
- 3 Enchufe el cable de alimentación en la toma de corriente.
- 4 Encienda el televisor.

Ajuste del idioma de la pantalla

- 1 Seleccione uno de los 3 idiomas: **Inglés**, **Francés** y **Español**.
- 2 Pulse los botones de flecha arriba y abajo del mando a distancia para seleccionar el idioma y pulse el botón OK (Aceptar).

Ajuste de la fecha, hora y zona horaria

- 1 Pulse los botones de flecha arriba y abajo del mando a distancia para resaltar el campo de fecha.
- 2 Pulse los botones de arriba y abajo del mando a distancia para introducir un año, mes y día.
- 3 Pulse el botón de flecha abajo para resaltar el campo de la zona horaria.
- 4 Pulse los botones de flecha izquierda y derecha para cambiar la zona horaria.
- 5 Pulse el botón de flecha hacia abajo para resaltar el campo de hora y pulse los botones numéricos para introducir la hora.
- 6 Pulse el botón de flecha hacia la izquierda y a continuación pulse el botón de flecha hacia abajo para alternar entre AM y PM.

Establecer la fuente de la señal

- 1 Pulse los botones de flecha arriba y flecha abajo del mando a distancia para seleccionar **Antena** o **Cable**.
- 2 Pulse el botón OK para iniciar la búsqueda de canales.

Esta operación de búsqueda de canales busca automáticamente una señal de todos los canales disponibles.

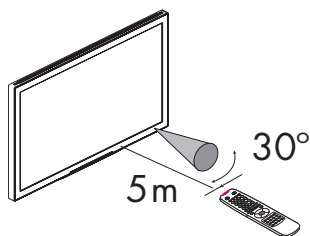


Para ver programación en alta definición tiene que tener una fuente de señal de alta definición conectada al televisor, tal como una señal de antena o cable de alta definición, un receptor de cable o satélite de alta definición o un reproductor de -DVD de alta definición. Todas las fuentes excepto la señal de alta definición de cable o antena de alta definición deben conectarse a las entradas de alta definición del televisor.

Manejo del televisor

Uso del mando a distancia

El mando a distancia permite controlar el televisor. Para utilizar el mando a distancia, apunte con el mismo al sensor de la parte frontal del televisor.



El mando a distancia debe utilizarse desde una distancia no superior a 5 metros (16,4 pies) del televisor, situándolo frente al visor del sensor del televisor y apuntando desde un ángulo máximo de 30 grados, tanto en sentido horizontal como vertical.

Uso de mandos a distancia universales

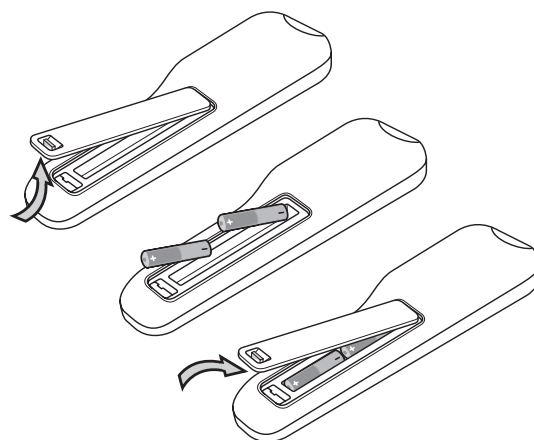
Cuando desee programar un mando a distancia universal para que ejecute su televisor HP, si HP no se encuentra en la lista de códigos de marca admitidos, utilice el código de un televisor Philips. El mando a distancia HP utiliza los códigos de mandos a distancia de Philips, bajo licencia de esta marca.

Una vez programado su mando a distancia universal utilizando un código Philips, puede ejecutar las funciones de su televisor HP para: volumen, silencio, encendido y fuente de entrada.

Instalación o sustitución de las pilas del mando a distancia

Inserte dos pilas AAA no recargables en el mando a distancia asegurándose de colocarlas en la posición correcta.

- 1 Pulse y abra la tapa de la parte posterior del mando distancia.
- 2 Inserte las pilas en el mando a distancia, asegurándose de colocarlas con las polaridades correctas.
- 3 Cierre la tapa.



No mezcle distintos tipos de pilas (por ejemplo, alcalinas con pilas de carbono-zinc), ni pilas antiguas con pilas nuevas.

Asegúrese de mantener la polaridad correcta al instalar las pilas, según se indica en el compartimento de las pilas. Las pilas colocadas con la polaridad invertida pueden dañar el dispositivo.

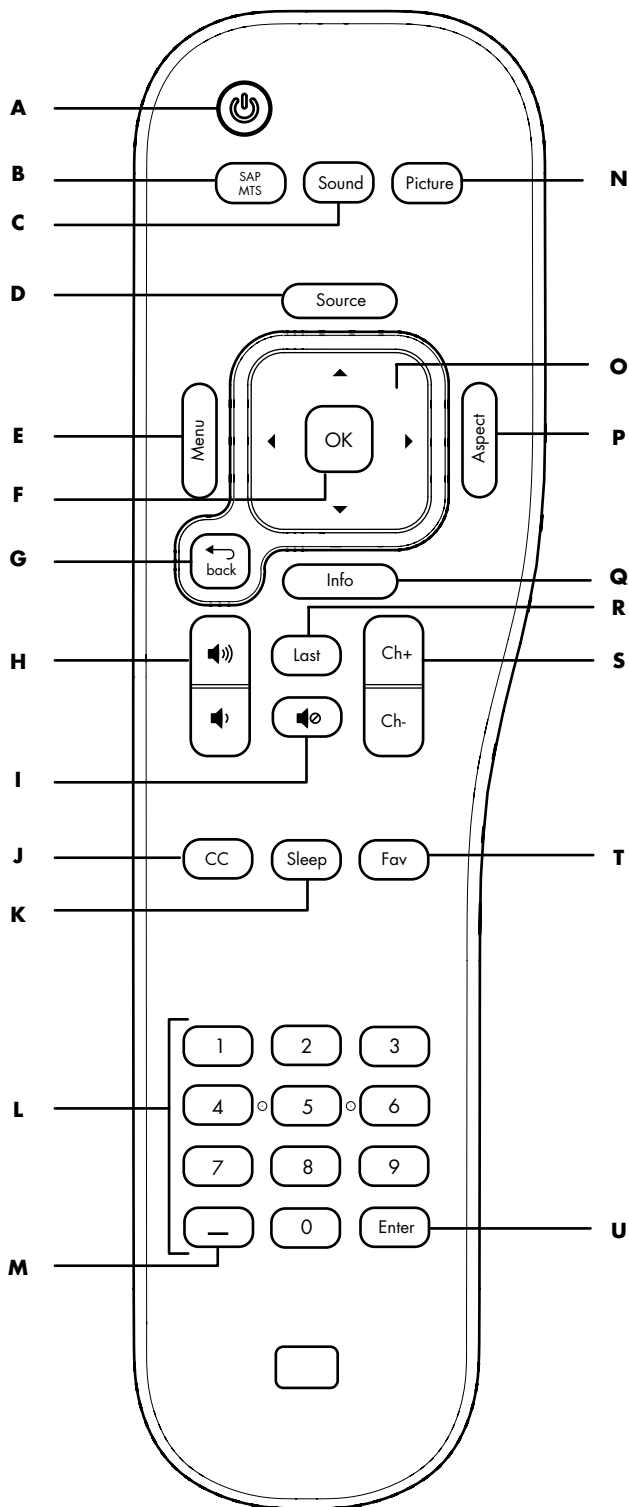
Cuando no use el mando a distancia durante un largo período de tiempo, extraiga las pilas para evitar daños causados por fugas del ácido de las mismas.

No intente recargar pilas que no sean recargables ya que pueden sobrecalentarse y agrietarse. Siga las indicaciones del fabricante de las pilas.





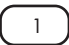



Retire las pilas tan pronto como se agoten. Las pilas agotadas pueden tener fugas y dañar gravemente la unidad. La vida útil de las pilas dependerá de la frecuencia con que se utilice el mando a distancia. Reemplace las pilas cuando el funcionamiento del mando a distancia empiece a ser errático.


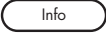

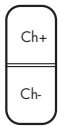


No abra las pilas, ni las caliente, ni las tire al fuego.

Identificación de los botones del mando a distancia



Nombre	Descripción	Icono
A Encendido	Pulse el botón de encendido para encender o apagar el televisor.	
B SAP/MTS	Pulse el botón SAP/MTS para seleccionar entre las opciones disponibles de programas secundarios de audio (SAP) y de sonido de televisión multicanal (MTS).	
C Sonido	Pulse Sonido para seleccionar un modo de audio: Voz, Estándar, Música, Usuario.	
D Fuente	Pulse Fuente para visualizar una lista de fuentes de entrada. Pulse un botón de flecha (O) para seleccionar la fuente de la señal que quiere ver y a continuación pulse OK (Aceptar) (F). O bien pulse Fuente para cerrar la lista sin cambiar la fuente.	
E Menú	Pulse Menú para abrir el menú en pantalla (OSD). Pulse Menú de nuevo para salir del menú y volver a la pantalla del televisor.	
F OK	Pulse OK para elegir la opción de menú seleccionada.	
G Atrás	Pulse Atrás para regresar al nivel anterior del menú de visualización.	

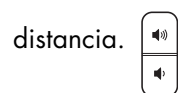
Nombre	Descripción (Continuación)	Icono
H Volumen	Pulse un botón de Volumen para incrementar (o reducir) el nivel de sonido.	
I Silencio	Pulse el botón de silencio para desactivar o activar el sonido.	
J CC	Pulse CC para seleccionar un modo de subtítulo: Apagado/ Encendido/On Mute (Cuando no hay sonido)	
K Temporizar	Pulse Temporizar para ajustar el temporizador en este orden: Apagado, 15, 30, 60, 120 o 150 minutos.	
L Números	Pulse los botones numéricos (0-9) para seleccionar directamente los canales y, a continuación, pulse Intro (U).	
M - (Guión)	Pulse - (guión) para introducir un guión para un canal digital. Por ejemplo, canal 14-2.	
N Imagen	Pulse Imagen para seleccionar un modo de vídeo: Estándar, Película, Vívido, Usuario.	
O Flechas arriba/ abajo/ izquierda/ derecha	Pulse un botón de flecha para mover el cursor por las pantallas del menú.	

Nombre	Descripción (Continuación)	Icono
P Aspecto	Pulse Aspecto para seleccionar una opción de dimensiones de la imagen del televisor: Automático, 16:9, 4:3, Zoom1, Zoom2, Panorámico. Las opciones disponibles dependen de la fuente de entrada.	
Q Info	Pulse Info para ver un titular del canal que contenga información sobre el programa actual.	
R Último	Pulse Último para restablecer el canal anterior que estaba viendo.	
S +Canal -Canal	Pulse +Canal (o -Canal) para seleccionar el siguiente canal (o el anterior).	
T Fav	Pulse Fav para ver una lista de sus canales favoritos. Pulse un botón de flecha (O) para seleccionar un canal de la lista y a continuación pulse OK (Aceptar) (F). Para agregar un canal a la lista Fav haga lo siguiente: Seleccione el canal, pulse Fav para abrir la lista en una línea vacía (o bien pulse una flecha para seleccionar una entrada existente para modificarla) y entonces pulse +Canal (S). El nuevo canal formará parte ahora de la lista Fav.	
U Intro	Pulse Intro tras introducir un número de canal.	


Ajuste del volumen

Para incrementar o reducir el sonido pulse:

- Los botones de Volumen del mando a




O bien

Los botones de volumen del televisor. 

La barra indicadora del televisor indica el grado de aumento o disminución.

Silenciamiento del sonido

- 1 Pulse el botón Silencio del mando a distancia para apagar provisionalmente el sonido. 
- 2 Para restablecer el sonido al nivel anterior, vuelva a pulsar el botón Silencio.

Cambio del modo de imagen

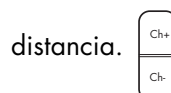
Pulse el botón Imagen en el mando a distancia para ver el modo de vídeo actualmente seleccionado. Siga pulsando el botón Imagen hasta que llegue al modo imagen que desea. Los modos de imagen son:

- **Estándar:** recomendado para condiciones de visionado normal en habitaciones con iluminación reducida.
- **Película:** recomendado para ver películas en una sala a oscuras. Proporciona una imagen suave, como de película.
- **Vívido:** Opción para visionado en una sala bien iluminada. Mejora el contraste y la nitidez.
- **Usuario:** Muestra los ajustes personalizados configurados en el menú en pantalla (OSD). Para más información sobre la definición de los ajustes de imagen, consulte "Uso del menú Imagen" en la página 30.

Cambio de canales

Para pasar al canal siguiente o anterior, pulse:

- Los botones +Canal o -Canal del mando a



O bien

Los botones de canal del televisor. 

Para cambiar de canal, introduzca un número de un dígito, dos dígitos o tres dígitos, o bien pulse los botones de subir o bajar de canal.

Para seleccionar un número de canal específico (por ejemplo, el canal 25), complete el siguiente procedimiento en menos de cuatro segundos:

- 1 Pulse el botón 2 del mando a distancia.
- 2 Pulse el botón 5.
- 3 Pulse Intro.

Para seleccionar un número de canal digital específico (por ejemplo, el canal 14-2, complete el siguiente procedimiento en menos de cuatro segundos):

- 1 Pulse el botón 1 del mando a distancia.
- 2 Pulse el botón 4.
- 3 Pulse el botón - (guión).
- 4 Pulse el botón 2.
- 5 Pulse Intro.

Selección del último canal

Pulse el botón Último del mando a distancia para ver el canal que estaba viendo antes.

Selección de un canal favorito

Puede seleccionar rápidamente un canal favorito mediante el botón Fav del mando a distancia.

Pulse el botón Fav del mando a distancia para ver una lista de sus canales favoritos. Pulse un botón de flecha para seleccionar un canal de la lista y a continuación pulse OK (Aceptar).

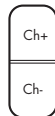
La primera vez que abra la lista de favoritos o tras la utilización del Asistente de configuración o Auto Scan (Escaneo automático) en el menú Canal de la pantalla, verá que la lista de Fav está vacía.

Durante el uso del Asistente de configuración inicial o al realizar un Auto Scan (Escaneo automático), el televisor buscará fuentes de señal de televisor de antena o cable y agregará los que encuentre a la lista de canales. Si se saltó este paso o canceló el procedimiento y no ha realizado desde entonces otro procedimiento de Asistente de configuración ni un Auto Scan (Escaneo automático), entonces no habrá ningún canal en la lista de canales. Para añadir un canal a la lista de favoritos, el canal tiene que estar presente en la lista de canales.

Para agregar un canal a la lista Fav haga lo siguiente:

Si es necesario, ejecute el Asistente de configuración o el Auto Scan (Escaneo automático) del menú Canal; consulte "Inicio del asistente de configuración" en la página 42 o consulte "Búsqueda de canales" en la página 33.

- 1 Pulse los botones +Canal o -Canal para seleccionar el canal que desea.
- 2 Pulse el botón Fav. Se abrirá la lista de canales favoritos en una línea vacía, si hay alguna.
- 3 Pulse +Canal para utilizar la línea vacía o pulse un botón de flecha para seleccionar una entrada de favoritos que quiere cambiar y entonces pulse +Canal. El canal actual pasará a formar parte de la lista Fav.



Visualización de información del programa

Pulse el botón Información del mando a distancia para mostrar un texto con información sobre el programa que está viendo.



Algunas veces no se incluye el nombre del programa en la emisión. En ese caso, el nombre del programa no se visualizará.

Selección de la fuente de entrada

- 1 Pulse el botón Fuente del mando a distancia o del televisor para abrir la lista de fuentes de entrada.
- 2 Pulse el botón de flecha hacia arriba o hacia abajo del mando a distancia o pulse los botones de Canal del televisor para seleccionar la fuente de entrada que quiere ver. ▲
CH
▼
- 3 Pulse OK (Aceptar) en el mando a distancia o pulse Seleccionar en el televisor.

O bien

Vuelva a pulsar el botón Fuente para cerrar la lista de fuentes de entrada sin cambiar la fuente.

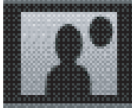

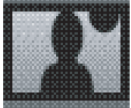
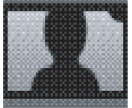
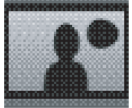
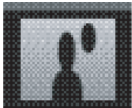
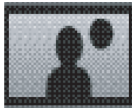


La lista de fuentes de entrada identifica un conjunto de conectores de la parte trasera del televisor:

- **Antena o Cable** es el conector ANT/Cable. La etiqueta muestra la selección de la fuente de exploración (Antena o Cable) de la última exploración de canales realizada por el Asistente de configuración o por el menú Canales.
- **AV1** es el conjunto de conectores del Standard Definition Input AV1 del S-Vid o Video.
- **AV2** es el conjunto de conectores del Standard Definition Input AV2 del S-Vid o Video.
- **Component 1** es el conjunto de conectores de entrada de Component 1 de alta definición.
- **Component 2** es el conjunto de conectores de entrada de Component 2 de alta definición.
- **PC** es el conjunto de conectores de entrada de PC (VGA).
- **HDMI 1** es el conector de entrada de alta definición digital HDMI 1.
- **HDMI 2** es el conector de entrada de alta definición digital HDMI 2.
- **HDMI 3** es el conector de entrada alta definición digital HDMI 3.

Puede cambiar todos los títulos excepto Antena (o Cable). Utilice la opción Títulos de entrada del menú de Configuración en pantalla para cambiar el título en la lista de fuentes; consulte "Cambiar las etiquetas de entrada" en la página 42.

Cambio de visualización mediante el botón Aspecto

Pulse el botón Aspecto del mando a distancia para seleccionar una opción para las dimensiones de la imagen del televisor. Las opciones disponibles dependen de la fuente de entrada actual.

Señal de entrada	Imagen del televisor (Aspecto)				
	4:3	16:9	Zoom1	Zoom2	Panorámica
4:3					
16:9					No disponible

Las opciones de Aspecto son:

- **Auto** muestra de forma automática el formato correcto basándose en el contenido.
- **16:9** muestra la imagen panorámica en el formato en que se grabó o bien estira la imagen de formato 4:3 para que encaje en la pantalla sin corrección de aspecto.
- **4:3** muestra la imagen de formato estándar 4:3 en el centro del televisor con barras negras a la izquierda y a la derecha, o bien reduce horizontalmente las imágenes panorámicas.
- **Zoom1** estira la imagen verticalmente. Apto para estirar la imagen de películas DVD de formato panorámico o eliminar las barras negras de la parte superior e inferior de la pantalla.
- **Zoom2** estira la imagen verticalmente y horizontalmente, recortando la parte superior, inferior y lateral de la imagen, según el caso.
- **Panorámico** estira la imagen horizontalmente, si resulta necesario, para rellenar toda la pantalla; al centro de la pantalla se le aplica corrección de formato. Sirve para alargar programas de formato 4:3 de forma que llenen la pantalla.



Si la fuente de entrada es HDMI, el modo Panorámico no estará disponible. Si la fuente de entrada es PC, los modos Zoom1, Zoom2 y Panorámico no estarán disponibles.



Algunas emisoras transmiten programación de definición estándar directamente en formato 16:9, de forma que la imagen tiene barras negras laterales integradas. Para ese tipo de señal de entrada el modo Panorámico no está disponible, y los modos Zoom1 y Zoom2 no eliminan las barras laterales.

Utilice la opción Aspect Ratio (Formato) del menú Imagen para establecer el formato predeterminado; consulte "Uso del menú Imagen" en la página 30.

Activación de los subtítulos

Pulse el botón CCC del mando a distancia para seleccionar una opción de subtitulado:

- **Sí:** Activa los subtítulos.
- **Apagado:** Desactiva los subtítulos.
- **On Mute (Cuando no hay sonido):** Muestra los subtítulos cuando el sonido está desactivado (cuando se ha pulsado el botón Silencio).

Para asignar sus preferencias de subtitulado, consulte "Uso del menú Subtitulado" en la página 41.

Ajuste del modo estéreo SAP/MTS

Pulse el botón SAP/MTS del mando a distancia para mostrar la opción seleccionada de programas secundarios de audio (SAP) y de sonido de televisión multicanal (MTS). Siga pulsando el botón para ver las opciones disponibles.

SAP recibe sonido mono, sonido estéreo y programas secundarios de audio. La función MTS permite a una emisora de televisión emitir otro tipo de información como, por ejemplo, otro idioma o información meteorológica.

Para los canales analógicos las opciones SAP/MTS son Estéreo, Mono y SAP (en caso de que esté disponible). Para los canales digitales las opciones SAP/MTS son Inglés, Francés y Español (en caso de que esté disponible).

Puede disfrutar del sonido estéreo de alta fidelidad o de los programas SAP disponibles:

- **Emisiones en estéreo:** Permite escuchar programas como los eventos deportivos en directo, espectáculos y conciertos con sonido estéreo dinámico.
- **Programas SAP:** Seleccione esta opción para escuchar el sonido principal o el sonido SAP:
 - **Sonido principal:** Escuche la pista de audio normal de programa en sonido estéreo o mono.
 - **Sonido SAP:** Escuche un segundo idioma, comentarios adicionales y otro tipo de información en sonido mono.

Si tiene dificultades para escuchar el sonido estéreo, puede que obtenga un sonido más claro si pasa a modo-mono.



MTS sólo funciona si el televisor está en modo de televisor.

Cambio del modo de audio

Pulse el botón de Sonido en el mando a distancia para ver el modo de audio actualmente seleccionado. Siga pulsando el botón Sonido hasta que llegue al modo de sonido que desea.

Para obtener más información sobre el modo de audio y el ajuste de la opción de Usuario, consulte "Ajuste del sonido" en la página 32.

Activación del temporizador de apagado

Pulse el botón Sleep (Temporizar) del mando a distancia para indicar al temporizador que apague el televisor automáticamente. Siga pulsando el botón Sleep (Temporizar) hasta que llegue a la hora que desea.

Si ajusta el temporizador de apagado a 30, el televisor se apagará automáticamente en 30 minutos.

Minutos	Descripción
15	Ajusta el temporizador a 15 minutos.
30	Ajusta el temporizador a 30 minutos.
60	Ajusta el temporizador a 60 minutos.
120	Ajusta el temporizador a 120 minutos.
150	Ajusta el temporizador a 150 minutos.
Apagado	Desactiva el temporizador de apagado.

Ajustes del televisor

Utilice el menú en pantalla para ajustar la imagen, el sonido y realizar otros ajustes. Para obtener más información, consulte "Uso de los menús en pantalla" en la página 29.

Abrir y cerrar el menú en pantalla (OSD)

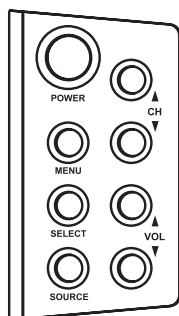
Pulse el botón Menú del mando a distancia o en el televisor para visualizar el menú en pantalla (OSD). Pulse el botón Menu (Menú) de nuevo para cerrar el menú actual y volver a la imagen de televisión. Dentro de un submenú, si pulsa el botón Atrás del mando a distancia o el botón Fuente del televisor, retrocederá un nivel de menú.

Cambio de los ajustes del televisor

Puede cambiar los ajustes del televisor mediante los menús en pantalla (OSD).

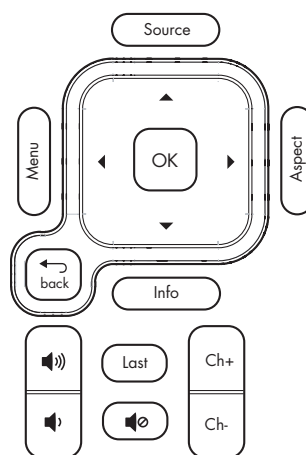
Uso de los menús en pantalla

Para utilizar los menús en pantalla (OSD), utilice los botones del mando a distancia o del televisor para resaltar, ajustar e introducir elementos según se describe aquí.





Televisor (perfil)	Descripción
MENÚ	Menú abre (o cierra) el OSD.
SELECT (SELECCIONAR)	Select (Seleccionar) selecciona el elemento resaltado en el OSD.
SOURCE (FUENTE)	Fuente permite seleccionar la fuente de señales. Pulse Fuente para visualizar una lista de fuentes de entrada. Pulse los botones de Canal (CH) para seleccionar la fuente de la señal que quiere ver y a continuación pulse Select (Seleccionar). Pulse Fuente para cerrar la lista. Seleccione la fuente de entrada antes de abrir el menú en pantalla (OSD). En un menú OSD, este botón funciona como el botón Atrás y para subir al elemento o nivel de menú superior.

Televisor (perfil)	Descripción (Continuación)
▲ CH ▼	Los botones Canal suben o bajan por el menú.
▲ VOL ▼	Los botones Volumen permiten moverse hacia la derecha y la izquierda en el menú o ajustar un elemento.



Mando a distancia	Descripción
Menu	Menú abre (o cierra) el OSD.
OK	OK selecciona el elemento resaltado en el OSD.
◀ ◻ ▶	Los botones de Flecha sirven para subir, bajar y desplazarse a la izquierda y derecha del menú.
🔊 🔇	Los botones de Volumen sirven para ajustar el volumen de sonido o un elemento.
Ch+ Ch-	Los botones Canal suben o bajan los canales.

Mando a distancia	Descripción (<i>Continuación</i>)
	Fuente permite seleccionar la fuente de señales. Pulse Fuente para visualizar una lista de fuentes de entrada. Pulse el botón de flecha para seleccionar la fuente de la señal que quiere ver y a continuación pulse OK (Aceptar). Seleccione la fuente de entrada antes de abrir el menú en pantalla (OSD).
	Atrás regresa al elemento o nivel de menú anterior.

Los menús en pantalla (OSD) se operan mediante los botones del mando a distancia o del televisor; consulte las tablas anteriores para obtener descripciones de cada botón.

- 1 Pulse el botón Fuente para seleccionar la fuente de la señal para el televisor. Dependiendo de la fuente de entrada, los menús en pantalla (OSD) serán unos u otros.
- 2 Presione el botón Menú para abrir el menú en pantalla (OSD). Aparecerá una lista de los menús disponibles.
- 3 Pulse los botones de dirección (los botones de flecha en el mando a distancia o los botones de volumen en el televisor) para seleccionar el menú que quiere y, a continuación, pulse el botón OK (Aceptar) en el mando a distancia o el botón Select (Seleccionar) en el televisor.
- 4 Pulse los botones de dirección para moverse en el menú y resaltar una opción y, a continuación, pulse el botón OK (Aceptar) en el mando a distancia o el botón Select (Seleccionar) en el televisor para acceder a esa opción.
- 5 Siga utilizando los botones de dirección para resaltar y ajustar un elemento, y el botón OK (Aceptar) el botón Select (Seleccionar) para introducir el cambio. Para salir de una opción o para subir un nivel del menú pulse el botón Atrás en el mando a distancia o el botón Fuente en el televisor.
- 6 Cuando termine, pulse el botón Menú para cerrar el menú en pantalla (OSD).

Los menús en pantalla son:

- Imagen
- Audio
- Canal
- Parental (Control) (Control para padres)
- Setup (including Closed Caption) (Configuración (con subtulado))
- Menú sencillo/Menú completo

Tenga en cuenta que SimpleMenu (Menú sencillo) aparece en la lista de menús cuando se muestra la lista completa de elementos de menú. Seleccione **SimpleMenu (Menú sencillo)** para ver un menú reducido que muestra sólo los elementos de menú utilizados más frecuentemente. (Al hacerlo, Full Menú (Menú completo) aparece en la lista. Seleccione esta opción para mostrar la lista completa de elementos de menú.)

En los temas siguientes, aparece una tabla para cada menú en pantalla (OSD) con las opciones disponibles.

Uso del menú Imagen

El menú Imagen controla el aspecto de la imagen en la pantalla en función de la fuente de entrada seleccionada. Por ejemplo, al ajustar el Brillo, la imagen de la pantalla cambia a medida que ajusta la escala.

Debido a que el menú Imagen mantiene los ajustes de cada entrada, seleccione (vea) la fuente de entrada y después, realice los cambios en el menú Imagen.

En la siguiente tabla se muestra el menú Imagen para una fuente AV. Si la fuente de entrada es un PC, utilice el menú Picture Screen (Pantalla de imagen) para ajustar la imagen y utilizar la sincronización automática.

Menú Imagen	Opciones
Modo	Vívido/Estándar/Película/Usuario Las opciones de modo de usuario son: <ul style="list-style-type: none"> ■ Brillo ■ Contraste ■ Saturación ■ Tono ■ Nitidez

Menú Imagen	Opciones (Continuación)
Temperatura de color	Fría/Estándar/Cálida
Formato	Automático/16:9/4:3/ Zoom1/Zoom2/ Panorámico
Picture Screen (Pantalla de imagen)	<ul style="list-style-type: none"> ■ Tamaño H (tamaño horizontal) ■ Posición H (posición horizontal) ■ Tamaño V (tamaño vertical) ■ Posición V (posición vertical) ■ Ajuste de fase ■ Ajuste del reloj ■ Sincronización automática ■ Predeterminado

Ajustes de imagen

Ajustes de imagen AV

Las siguientes opciones sirven para ajustar la imagen AV que está viendo, así que tiene que seleccionar la entrada AV correcta antes de cambiar los valores.

- **Modo** ajusta la imagen a los valores predeterminados **Estándar**, **Película**, **Vívido** o **Usuario**. El modo de usuario permite el ajuste individual de:
 - **Brillo:** Establece el brillo de la imagen.
 - **Contraste:** Establece el contraste de la imagen.
 - **Saturación:** Establece la intensidad de color de la imagen.
 - **Tono:** Establece los tonos; reduzca el valor para conseguir tonos más rojizos, o incremente el valor para obtener un tono más azulado.
 - **Nitidez:** Establece la nitidez de la imagen.
- **Temperatura de color** permite seleccionar distintos ajustes de la temperatura del color: **Fría**, **Estándar** y **Cálida**.

- **Formato** establece las proporciones predeterminadas de la imagen del televisor. Para obtener más información, consulte "Cambio de visualización mediante el botón Aspecto" en la página 26.
- **Picture Screen (Pantalla de imagen)** proporciona opciones para ajustar la imagen desde un conector de entrada a PC. Consulte "Ajuste de la imagen de pantalla de PC" en la página 31.

Ajuste de la imagen de pantalla de PC

Las opciones siguientes ajustan la imagen procedente del conector de entrada de PC; el menú de Picture Screen (Pantalla de imagen) no está disponible cuando el PC no está conectado:

- **Tamaño horizontal** ajusta el tamaño horizontal de la imagen.
- **Posición horizontal** ajusta la posición horizontal de la imagen.
- **Tamaño vertical** ajusta el tamaño vertical de la imagen.
- **Posición vertical** ajusta la posición vertical de la imagen.
- **Ajuste de fase** ajusta la fase de reloj utilizada para sincronizar la imagen.
- **Ajuste del reloj** ajusta el reloj utilizado para sincronizar la imagen.
- El botón **Sinc auto** inicia la sincronización automática de la imagen.
- El botón **Predeterminado** restablece todas las opciones del menú Picture Screen (Pantalla de imagen) a los valores predeterminados.

Uso del menú Audio

El menú Audio establece los niveles de sonido, el modo de señal de salida de audio digital y los elementos de sonido.

Menú Audio	Opciones
Modo	Voz/Estándar/Música/Usuario Las opciones de modo de usuario son: <ul style="list-style-type: none">■ Altos■ Bajos
Balance	(Ajuste de sonido de izquierda a derecha)
Volumen automático	Encendido/Apagado
SAP/MTS	■ Mono/Estéreo/SAP ■ Español/francés/inglés
Audio digital	Dolby Digital/PCM
Virtual Surround	Apagado/Cine/Concierto
Altavoz	Encendido/Apagado

Ajuste del sonido

- **Modo** establece los ajustes de volumen a los valores predeterminados de **Voz**, **Estándar** o **Música** o bien **Usuario**. El modo Usuario permite el ajuste manual de los valores de agudos y graves.
- **Balance** establece la distribución del sonido entre los bafles.
- **Volumen automático** activa o desactiva el ajuste automático del volumen.
- **SAP/MTS** selecciona el modo predeterminado y el idioma predeterminado para los programas en dual. Consulte "Ajuste del modo estéreo SAP/MTS" en la página 27.
- **Audio digital** establece el modo para la señal proporcionada en el conector de salida de audio digital. Consulte "Elección del modo de salida de audio digital" en la página 32.

- **Virtual Surround** selecciona una opción para el sonido envolvente. "Selección del sonido envolvente virtual ("virtual surround")" en la página 32.
- Pulse el botón de **Speaker (altavoz)** para encender o apagar los altavoces del televisor. Apagar los altavoces del televisor puede resultar útil cuando quiere conectar un sistema de sonido externo opcional. Consulte "Comprender la salida de audio" en la página 32.

Elección del modo de salida de audio digital

Para poder acceder a la opción Audio digital del menú Audio es necesario estar viendo un canal de televisión digital. Esta opción establece el formato para la señal del conector de salida de audio digital (óptico) en la parte trasera del televisor: Dolby Digital o PCM. Elija la opción **PCM** si su sistema de audio digital externo no admite sonido envolvente ("surround"). Consulte "Comprender la salida de audio" en la página 32.

Selección del sonido envolvente virtual ("virtual surround")

Los altavoces del televisor pueden reproducir sonido envolvente emulado. Para obtenerlo, seleccione el modo que desea en la opción Virtual Surround (Sonido envolvente virtual) del menú Audio: **Cine** o **Concierto**.

Comprender la salida de audio

La señal de fuente de entrada y la configuración del menú Audio para Audio digital y Altavoz determinan el tipo de salida de audio que puede oír por los altavoces o por el sistema de sonido externo conectado al televisor.

Por ejemplo, si conecta un sistema de sonido externo mediante el Conector digital (óptico), oirá sonido digital del sistema de audio externo conectado cuando vea un programa de televisión digital. El formato de la señal digital que proporciona el televisor dependerá de la configuración del Audio digital (Dolby Digital o PCM).

Este televisor no es compatible con entrada de audio Dolby Digital mediante HDMI. Cuando conecta un receptor, un reproductor DVD u otro dispositivo mediante HDMI, coloque la salida de audio a formato PCM.

En la siguiente tabla se muestran las dependencias de la salida de audio y la salida resultante.

Fuente de entrada	Salida de audio en los altavoces del televisor (menú Audio/Altavoz: encendido)	Salida de audio a Conector digital (óptico): (Menú Audio/Audio digital)	Salida de audio a los conectores analógicos L y R (izquierda y derecha)
Sintonizador televisor, canal analógico	Estéreo 2 canales	PCM	Estéreo 2 canales
Sintonizador televisor, canal digital	Estéreo 2 canales	PCM o Dolby Digital	Estéreo 2 canales
HDMI, formato PCM	Estéreo 2 canales	Ninguno	Estéreo 2 canales
HDMI, formato Dolby Digital	Ninguno	Ninguno	Ninguno
Componente	Estéreo 2 canales	PCM	Estéreo 2 canales
AV (S-Video o Vídeo)	Estéreo 2 canales	PCM	Estéreo 2 canales
PC Audio (Audio PC)	Estéreo 2 canales	PCM	Estéreo 2 canales

Uso del menú Canal

Si no utilizó el Asistente de configuración o si la configuración inicial no encontró todos los canales disponibles, utilice el menú Canal para explorar y encontrar los canales de forma automática. La exploración continúa hasta que cada canal queda marcado como encontrado o confirmado como sin señal.

Utilice este menú para editar la lista de canales de programa para saltarse un canal cuando utilice los botones Canal del mando a distancia del televisor.

Menú Canal	Opciones
Auto Scan (Escaneo automático)	Antena/Cable
Lista de canales	Mostrar/Ocultar
Potencia de la señal	Muestra la potencia de la señal de un canal digital en forma de gráfica de barras.

Búsqueda de canales

En el menú Auto Scan (Escaneo automático) inicie una búsqueda automática de canales mediante la selección de la fuente **Antena** o **Cable** seguido del botón OK (Aceptar). A continuación seleccione **Sí** y pulse OK (Aceptar) para iniciar la exploración de canales.

La exploración continúa hasta que cada canal queda marcado como encontrado o confirmado como sin señal. Puede detener la búsqueda seleccionando el botón **Cancelar** de la pantalla y después pulsando el botón OK (Aceptar) o el botón Atrás del mando a distancia.

Edición de la lista de canales

Utilice el menú de Lista de canales para editar la lista de canales de programa para saltarse (ocultar) un canal cuando utilice los botones Canal del mando a distancia del televisor.

Para editar la lista de canales para que se salte un canal haga lo siguiente:

- 1 En el menú Canal pulse los botones de flecha para seleccionar **Lista de canales** seguido de OK (Aceptar).
- 2 Pulse los botones de flecha para seleccionar el canal. Puede pulsar el botón Canal (CH) para avanzar o retroceder una página de la lista.
- 3 Haga clic en OK (Aceptar). El televisor sintonizará el canal.
- 4 Pulse el botón Sleep (Inactividad). La lista de canales ahora mostrará el canal como Hide (Ocultar) y el sistema se saltará el canal cuando utilice los botones de Canal.

Para editar la lista de canales para mostrar un canal que actualmente está oculto, lleve a cabo el mismo procedimiento seleccionando un canal oculto y pulsando el botón Sleep (Inactividad) para mostrarlo.

Uso del menú Parental (Control) (Control de padres)

El menú Parental (Control) (Control de padres) habilita y define el control de los padres de los programas y las películas. Utilícelo para seleccionar una contraseña y establezca los valores para el control de los padres mediante la calificación del programa, el contenido del programa y las calificaciones de las películas.

Parental menu (Menú de padres)	Opciones
Cambiar contraseña	<ul style="list-style-type: none"> ■ Contraseña ■ Confirmar contraseña
Habilitar	Encendido/Apagado

Parental menu (Menú de padres)	Opciones (Continuación)
MPAA (calificación de películas según la asociación cinematográfica de América, "Motion Picture Association of America")	<ul style="list-style-type: none"> ■ G ■ PG ■ PG-13 ■ R ■ NC-17 ■ X ■ NR
Calificación de programas estadounidenses	Tabla de pautas y valores de contenido por edades
Inglés de Canadá	<ul style="list-style-type: none"> ■ E ■ C ■ C8+ ■ G ■ PG ■ 14+ ■ 18+
Francés de Canadá	<ul style="list-style-type: none"> ■ E ■ G ■ +8años ■ +13años ■ +16años ■ +18años

Uso de la contraseña

El menú Parental (Control) (Control de padres) permite utilizar una contraseña para evitar que ciertos ajustes se cambien de forma accidental.

!

IMPORTANTE: Se deben cumplir las condiciones siguientes para activar el control de los padres:

- Contraseña establecida.
- Ajustes de calificación realizados.

Introduzca la contraseña cuando se le indique.

Establecer una contraseña

- 1 En el menú en pantalla (OSD) principal seleccione **Parental** (Control de padres) y pulse el botón OK (Aceptar). (Si se ha establecido una contraseña anteriormente, introdúzcala cuando se le pida.)
- 2 Seleccione **Cambiar contraseña** y luego pulse OK (Aceptar).
- 3 Introduzca un número de contraseña (nueva) de cuatro dígitos mediante los botones 0–9 del mando a distancia. Introduzca los mismos dígitos en Confirmar contraseña y, a continuación, pulse OK.



Como medida de precaución, anote su contraseña y guárdela en un lugar seguro.

En el menú Parental (Control) (Control de padres) seleccione **Habilitar**, pulse OK (Aceptar), seleccione **On (Encendido)** y pulse OK (Aceptar). Ahora podrá acceder a los demás menús y configurar los controles para padres. Consulte “Ajuste del Control de padres” en la página 35.



IMPORTANTE: Si pierde o se olvida de la contraseña, introduzca la contraseña maestra: MTS, 4, 8, 1

Ajuste del Control de padres

El control parental utiliza un V-Chip, que es un dispositivo de filtrado electrónico incorporado en su televisor. Esta herramienta proporciona a los padres un alto nivel de control sobre las emisiones a las que pueden acceder sus hijos. Permite a los padres decidir qué programas son adecuados para ser vistos por niños, a la vez que bloquea los que consideran que no son aptos. Esto se realiza automáticamente al seleccionar una contraseña y establecer los valores del control parental.

EE.UU. tiene dos sistemas de calificación para visualizar el contenido: Directrices de control paterno de la televisión (calificación televisiva de Estados Unidos) y calificaciones de películas:

- Las Directrices de control paterno de la televisión ayudan a filtrar los programas que no son aptos para niños.
- Las calificaciones de películas se utilizan para las películas originales calificadas por la Asociación Cinematográfica de América (MPAA - Motion Picture Association of America) para transmitirse por televisión por cable y que no han sido editadas para su emisión por televisión. También se pueden ajustar las opciones para bloquear las películas calificadas por la MPAA.

Sistema de calificación voluntaria de películas (MPAA)

En el menú Parental (Control) (Control de padres), resalte **MPAA** y pulse OK. Ajuste el elemento.

El parámetro bloquea automáticamente los programas con calificación superior a la seleccionada.

Calificación de la MPAA		Descripción
Edad	G	Público en general. Apto para todas las edades.
	PG	Se recomienda el control paterno. Algún material puede no ser adecuado para los niños.
	PG-13	Se recomienda encarecidamente precaución a los padres. Algún material puede no ser adecuado para niños menores de 13 años.
	R	Restringido. Los menores de 17 años deben estar acompañados por los padres o un adulto encargado de ellos (la edad varía en algunas jurisdicciones).
	NC-17	No autorizado a menores de 17 años.
	X	La clasificación X es una categoría antigua que se encuentra unificada con NC-17, pero todavía puede encontrarse codificada en los datos de películas antiguas.
	NR	No clasificado.

Ejemplo:

Si selecciona **PG-13**, esto bloqueará automáticamente las calificaciones más altas: R, NC-17 y X.



El sistema de calificación voluntaria de películas sólo utiliza una calificación basada en la edad.

Calificación de programas estadounidenses

En el menú Parental (Control) (Control de padres), resalte **Calificación de televisión de Estados Unidos**, y a continuación pulse OK. Ajuste el elemento.

El parámetro bloquea automáticamente las calificaciones superior a la seleccionada.

Puede establecer elementos de calificación basados en contenidos individuales.

Calificación de televisión		Contenido				
		FV (Violencia fantástica)	S (Contenido sexual)	L (Lenguaje de adultos)	V (Violencia)	D (Diálogos con insinuaciones sexuales)
Edad recomendada	TV-Y (Niños de cualquier edad)					
	TV-Y7 (Dirigida a los niños mayores)	Se puede establecer la calificación.				
	TV-G (Público en general)					
	TV-PG (Se recomienda la supervisión de los padres)		Se puede establecer la calificación.	Se puede establecer la calificación.	Se puede establecer la calificación.	Se puede establecer la calificación.
	TV-14 (Se recomienda encarecidamente el control paterno)		Se puede establecer la calificación.	Se puede establecer la calificación.	Se puede establecer la calificación.	Se puede establecer la calificación.
	TV-MA (Para público adulto solamente)		Se puede establecer la calificación.	Se puede establecer la calificación.	Se puede establecer la calificación.	

Sistemas de calificación canadienses

Los sistemas de calificación de TV en Canadá se basan en la política de la Comisión Canadiense de Radiotelevisión y Telecomunicaciones (CRTC - Canadian Radio-Television and Telecommunications Commission) sobre la violencia en los programas de televisión.

Aunque la violencia es el elemento más importante que se califica, la calificación tiene en cuenta otros contenidos de los programas como, por ejemplo, el lenguaje, los desnudos, el contenido sexual y los temas para adultos.

Al ajustar los controles del sistema de calificación canadiense, puede elegir entre las calificaciones del inglés canadiense o las calificaciones del francés canadiense.

Calificaciones del inglés canadiense

Calificación		Descripción de la calificación del inglés canadiense
Edad	E	Exento: Incluye noticias, deportes, documentales y otros programas de información.
	C	Niños: programas dirigidos a niños menores de 8 años. Presta mucha atención a los temas que pudieran afectar a su sentido de seguridad y bienestar.
	C8+	Niños de más de 8 años: programas que no contienen violencia como forma preferible, aceptable o única de resolver los conflictos; tampoco incitan a los niños a imitar los actos peligrosos que puedan ver en la pantalla.
	G	General: considerado aceptable para todos los públicos. Apropiado para ver en familia; contiene muy poca violencia física, verbal o emocional.
	PG	Supervisión de los padres: Destinado al público en general, pero podría no ser adecuado para los niños más pequeños (menores de 8 años) porque puede contener temas controvertidos.
	14+	Más de 14 años: puede contener tramas en las que la violencia es uno de los elementos dominantes de la historia, pero debe ser esencial para el desarrollo de la trama o el personaje. El lenguaje puede ser vulgar y haber desnudos como parte del contexto de la trama.
	18+	Adultos: Destinado a espectadores mayores de 18. Puede contener escenas violentas que, aunque estén relacionadas con el desarrollo de la trama, los personajes o los temas, están destinadas a un público adulto. Pueden tener un lenguaje soez, y escenas de sexo y desnudos.

Calificación del francés canadiense

Calificación		Descripción de las calificación del francés canadiense
Edad	E	Programación exenta.
	G	General: Para todos los públicos; contiene una violencia directa mínima, que puede estar integrada en la trama de forma cómica o poco realista.
	+8años	General, pero no recomendado para los niños pequeños. Lo puede ver la mayoría del público, pero puede tener escenas que afecten a los menores de ocho años, incapaces de distinguir entre las situaciones reales e imaginarias. Se recomienda que los niños vean el programa en compañía de los padres.
	+13años	Más de 13 años: puede contener escenas violentas frecuentes y, por lo tanto, se recomienda verlo en compañía de los padres.
	+16años	Más de 16 años: puede contener escenas violentas frecuentes e intensas.
	+18años	Más de 18 años: Sólo para adultos. Puede contener escenas muy violentas y frecuentes.

Liberar temporalmente un programa bloqueado

Cuando la calificación del control parental bloquea un programa, aparece un mensaje.

Para ver un programa bloqueado:

- 1 Haga clic en OK (Aceptar). Aparecerá el menú de contraseña.
- 2 Introduzca su contraseña de cuatro dígitos para liberar temporalmente el bloqueo del programa.

Reactivación del control parental tras un desbloqueo temporal

Para reactivar el control parental de un programa desbloqueado temporalmente, realice una de las acciones siguientes:

- En el menú Parental (Control) (Control de padres) seleccione el parámetro (**MPAA, Calificación de televisión de Estados Unidos, Inglés de Canadá, o Francés de Canadá**).
- Apague el televisor.

Uso del menú Instalación

Puede utilizar el menú de Configuración para establecer la hora y subtítulos, seleccionar el idioma de los menús en pantalla (OSD), iniciar el Asistente de configuración, establecer la configuración del menú en pantalla (OSD) a los valores predeterminados y cambiar las etiquetas de la lista Fuente.

Menú Instalación	Opciones
Hora	<ul style="list-style-type: none"> ■ Modo reloj: Auto/Manual ■ Establecer hora ■ Zona horaria (sólo para modo automático) ■ Horario de verano (sólo para modo automático) ■ Temporizador de apagado: Apagado/15 min/30 min/60 min/120 min/150 min
Subtitulado	<ul style="list-style-type: none"> ■ Modo ■ Servicio analógico ■ Servicio digital ■ Estilo
Idioma del menú en pantalla (OSD)	Español/francés/inglés
Asistente de configuración	Inicio
Títulos de entrada	<selección>
Configuración predeterminada	Pulse OK (Aceptar) para recuperar los valores predeterminados de la configuración.

Uso del menú Tiempo

El menú Tiempo establece el modo de fecha y hora y establece el temporizador de modo inactivo.

Menú Tiempo	Opciones
Modo reloj	Auto/Manual
Establecer hora	<ul style="list-style-type: none"> ■ Mes, Día, Año ■ Hora, Min, AM/PM
Zona horaria (sólo para modo automático)	NST/AST/EST/CST/MST/PST/AKST/HST
Horario de verano (sólo para modo Automático)	Encendido/Apagado
Temporizador de apagado	Apagado/15 min/30 min/60 min/120 min/150 min

- **Modo de reloj** establece el modo de reloj en Automático o Manual. La fecha y la hora del televisor se establecen durante el uso de Asistente de configuración o mediante este menú si selecciona Modo de reloj **Manual** y entonces pulsa OK (Aceptar).
- **Establecer hora** establece la fecha y hora sólo para el modo Manual del reloj. Para alternar entre AM y PM pulse la flecha izquierda, seguida del botón de flecha hacia abajo.
- **Zona horaria** permite seleccionar el huso horario para el modo de reloj Automático, como por ejemplo la Hora estándar central (CST) u Hora estándar del Pacífico (PST)
- **Horario de verano** establece una opción para el modo de reloj Automático.
- El **Temporizador de apagado** establece los minutos que deben transcurrir antes de que se apague el televisor. También puede establecer el temporizador de apagado mediante el botón Suspensión del mando a distancia.

Uso del menú Subtitulado

Menú de subtitulado

Puede utilizar el menú Subtitulado para activar o desactivar los subtítulos y seleccionar opciones. También puede activar o desactivar el subtitulado mediante el botón CC del mando a distancia.

Menú de Subtitulado	Opciones
Modo	Apagado/Encendido/On Mute (Encendido Silencio)
Servicio analógico	■ CC1/CC2/CC3/CC4 ■ Texto1/Texto2/Texto3/Texto4
Servicio digital	Servicio1/Servicio2/ Servicio3/Servicio4/ Servicio5/Servicio6
Estilo	■ Estilo de fuente ■ Tamaño de la fuente ■ Color del primer plano ■ Color de fondo ■ Opacidad del color del primer plano ■ Opacidad del color de fondo ■ Estilo de borde

Su televisor incluye un descodificador de subtítulos interno que le permite ver las conversaciones, la narración y los efectos sonoros en forma de subtítulos en su televisor. Los subtítulos ocultos se encuentran disponibles en algunos programas de televisión y en algunas cintas de vídeo VHS de uso doméstico, a elección del proveedor de los programas.

El servicio de subtítulos ocultos digitales es un nuevo servicio de subtítulos disponible únicamente para los programas de televisión digital (también a elección del proveedor de programación). Se trata de un sistema más flexible que el sistema de subtítulos ocultos original, ya que ofrece distintos tamaños de fuente y estilos de subtitulado. Cuando se utiliza el servicio de subtítulos ocultos digitales, aparece una abreviatura de tres letras que también indica el idioma de los subtítulos ocultos digitales: ENG (inglés), SPA (español), FRA (francés) u otros códigos de idiomas.

No todos los programas y cintas VHS ofrecen subtítulos. Busque el símbolo para asegurarse de que aparecerán los subtítulos.



Si el equipo fuente de las señales está conectado al televisor mediante un HDMI o una conexión de vídeo componente, puede que la información de los subtítulos ocultos no esté disponible, ya que el equipo fuente no puede transmitir la información al televisor a través de estos conectores.

En el sistema de subtítulos ocultos puede haber más de un servicio de subtitulado. Cada uno de ellos se identifica mediante su propio número. Los servicios CC1 a CC4 muestran los subtítulos de los programas de televisión superpuestos sobre las imágenes de los programas.

Los servicios de Texto1 hasta Texto4 muestran texto que no está relacionado con el programa que está viendo, tal como el tiempo o las noticias. El texto de estos servicios también se superpone al programa que se está viendo.

- Dependiendo del número de servicios de subtítulos disponible en la señal que está recibiendo, pueden aparecer indicaciones como 1/2 o 1/4. 1/2 significa "el primero de dos servicios".

Ejemplo: Si un programa tiene tres servicios (Digital CC(ENG), CC1 y Texto1), la visualización de los subtítulos ocultos cambiará siguiendo ese orden.

- El botón CC guarda en la memoria un registro del último servicio seleccionado. Si el último modo de subtítulos ocultos seleccionado no está disponible para el siguiente programa o en otro canal, el servicio de subtítulos ocultos que se encuentre disponible se seleccionará automáticamente y aparecerá entre paréntesis. Los servicios de subtítulos ocultos que aparezcan entre paréntesis no se grabarán en la memoria del botón CC como último servicio seleccionado. Sólo se guardarán los servicios seleccionados con el botón CC.



Si el programa no tiene subtítulos ocultos, aparecerá "--" en la información de los subtítulos ocultos.

Si el código de idioma (por ejemplo, ENG) no figura en los programas de televisión digital, se mostrará "--".

Todos los tipos de servicios de subtítulos ocultos (CC1, Texto1, etc.) están disponibles potencialmente, aunque dependiendo del proveedor de programas, una emisión puede contener sólo algunos de estos servicios, o incluso ninguno.

La emisora puede especificar los valores predeterminados de subtítulos ocultos.

Uso de la opción de estilo

La opción Estilo establece el aspecto del texto de los subtítulos:

- **Tamaño de fuente** establece el tamaño de subtítulos. Pequeño, Estándar, Grande.
- **Estilo de fuente** establece un estilo predefinido o definido por el usuario.
- **Color del primer plano** establece el color del texto.
- **Color de fondo** establece el color de fondo.
- **Opacidad del color del primer plano** establece la opacidad del texto.
- **Opacidad del color de fondo** establece la opacidad del color de fondo.
- **Estilo de los bordes** establece un estilo de los predeterminados.

Establecer el idioma de los menús en pantalla (OSD)

Puede utilizar la opción Idioma del menú en pantalla (OSD) para establecer el idioma de la pantalla.

Inicio del asistente de configuración

Puede iniciar el Asistente de configuración para elegir el idioma del menú en pantalla (OSD), la fecha y hora, la fuente de la señal del televisor (antena o cable) y explorar para encontrar canales.

En el Asistente de configuración seleccione **Inicio** y a continuación pulse el botón OK (Aceptar).

Cambiar las etiquetas de entrada

Puede utilizar la opción de Títulos de entrada para cambiar todos los títulos de entrada excepto Antena (o Cable) que aparecen cuando pulsa el botón Fuente en el mando a distancia del televisor.

La lista de fuentes de entrada identifica un conjunto de conectores de la parte trasera del televisor:

- **Antena o Cable** es el conector ANT/Cable. La etiqueta muestra la selección de la fuente de exploración (Antena o Cable) de la última exploración de canales realizada por el Asistente de configuración o por el menú Canales. Esta etiqueta o título no puede cambiarse.
- **AV1** es el conjunto de conectores del Standard Definition Input AV1 del S-Vid o Video.
- **AV2** es el conjunto de conectores del Standard Definition Input AV2 del S-Vid o Video.
- **Component 1** es el conjunto de conectores de entrada de Component 1 de alta definición.
- **Component 2** es el conjunto de conectores de entrada de Component 2 de alta definición.
- **PC** es el conjunto de conectores de entrada de PC (VGA).
- **HDMI 1** es el conector de entrada de alta definición digital HDMI 1.
- **HDMI 2** es el conector de entrada de alta definición digital HDMI 2.
- **HDMI 3** es el conector de entrada alta definición digital HDMI 3.

Las etiquetas de entrada que puede asignar son:

- Predeterminado (etiqueta de entrada original)
- AVR
- DVD
- PVR
- Cable
- DEC
- Aux
- SAT
- VCR

Para cambiar una etiqueta de entrada mediante el mando a distancia:

- 1 Presione el botón Menú para abrir el menú en pantalla (OSD). Aparecerá una lista de los menús disponibles.
- 2 Pulse la flecha hacia abajo para seleccionar el menú **Configuración** y entonces pulse el botón OK (Aceptar).
- 3 Pulse el botón de flecha hacia abajo para desplazarse por el menú y resaltar la opción **Títulos de entrada** y, a continuación, pulse el botón OK (Aceptar) para acceder a esa opción.
- 4 Pulse el botón de flecha hacia abajo para seleccionar la fuente de entrada que quiere cambiar y entonces pulse el botón de flecha hacia la derecha. Pulse el botón de flecha hacia abajo para seleccionar el nuevo título y entonces pulse OK (Aceptar) para realizar el cambio.
- 5 Cuando termine, pulse el botón Menú para cerrar el menú en pantalla (OSD).

Restablecimiento de la configuración predeterminada

Puede utilizar el menú de Configuración predeterminada para colocar todos los parámetros, incluidos los títulos de entrada, a sus valores predeterminados. Seleccione **Configuración predeterminada** y a continuación pulse el botón OK (Aceptar).

Esta opción no restablece los canales de Fav ni la lista de canales. Estos elementos se borran sólo cuando realiza una nueva exploración de canales.

Cómo obtener respuestas a preguntas

Términos comunes en el campo de la televisión

¿Qué son la televisión analógica, la televisión digital y la televisión de alta definición (HDTV)?

Algunos dispositivos, como los monitores, los sintonizadores y las combinaciones integradas de monitor y sintonizador, están diseñados para admitir cualquiera de los 18 formatos oficialmente aprobados por la reglamentación estándar de la industria, Advanced Television Systems Committee (ATSC), para la transmisión *digital* de señales de vídeo. Las televisiones digitales se dividen en tres subgrupos, dependiendo de su funcionalidad: alta definición (HDTV), definición realzada (EDTV) y definición estándar (SDTV).

A diferencia de la digital, la televisión *analógica* estadounidense lleva más de 50 años operando con el formato NTSC (National Television Standards Committee). Éste es el formato de señal que se emite por ondas y por sistemas de cable. La televisión en formato NTSC se compone de algo más de 480 líneas entrelazadas de resolución.

Para ver programación en alta definición, su televisor debe recibir señales de alta definición mediante una fuente de señal de alta definición conectada al televisor. La fuente puede ser una antena de alta definición o una señal de alta definición, o bien una fuente de alta definición, tal como un receptor de alta definición de programación por cable o satélite, un reproductor DVD de alta definición, etc. Todas las fuentes excepto la señal de alta definición de cable o antena de alta definición deben conectarse a las entradas de alta definición de la parte trasera del televisor. Su proveedor de cable o satélite puede que le pida una tarifa adicional para la programación de alta definición; las emisiones por aire de alta definición puede que no estén disponibles en todas las áreas.

¿Cuál es la diferencia entre los formatos de señales progresivo y entrelazado en el caso de la televisión digital?

Existen 18 formatos de señales de televisión digital. Cada uno proporciona un nivel de calidad de imagen diferente. Los nombres de estos formatos de televisión digital se componen de un número seguido por una p (progressive) o una i (interlaced). La letra indica cómo el televisor utiliza las señales de televisión para generar la imagen:

- La exploración progresiva (p) presenta todas las líneas horizontales de la imagen en un solo fotograma. Con este sistema, la imagen parece más nítida a la vista y presente un aspecto mucho mejor que una imagen entrelazada de la misma resolución.
- Interlaced (i) significa que la imagen aparece en dos segmentos; las líneas horizontales pares se muestran en un fotograma y las impares en el fotograma siguiente. Esto funciona de manera tan rápida que engaña a la vista, haciéndola creer que sólo se está representando una única imagen.

El número en los nombres de los formatos hace referencia al número de líneas de la resolución. En general, como más alto sea el número, mejor será la imagen. Por ejemplo, con la televisión digital (DTV) las emisoras pueden elegir entre dos formatos progresivos: 480p y 720p. 480p tiene 480 líneas horizontales. Aunque la imagen de 480p es mucho más nítida que una emisión de televisión normal, se considera una señal DTV, no una señal de alta definición verdadera. 720p tiene 720 líneas de exploración horizontal y está considerada como televisión de alta definición verdadera. 720p puede superar una imagen 1080i, que consistiría en 1080 líneas horizontales mostradas como imagen entrelazada. La imagen 720p es más nítida y más precisa (progresiva), incluso aunque una imagen 1080i tenga muchas más líneas de exploración y mucha mayor resolución.

¿Qué es el índice de aspecto variable?

El índice de *aspecto* describe la relación del ancho de la pantalla con respecto a la altura. Las señales de televisión estándar se basan en una proporción de 4:3 (cuatro unidades de ancho por tres unidades de altura). Las señales de HDTV se basan en un formato 16:9, haciendo que la imagen sea un 33 por ciento más ancha que la de una televisión normal y permitiendo ver televisión y películas tal y como se proyectan en el cine.

Además, muchas de las películas en DVD se ven mejor en una pantalla panorámica porque la mayoría de las películas realizadas en los últimos 50 años se han filmado con formato 1,85:1 (muy parecido al formato 16:9, que es equivalente a 1,78:1) o en formato 2,35:1 (que es incluso más ancho que el formato 16:9).

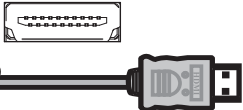
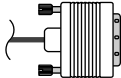


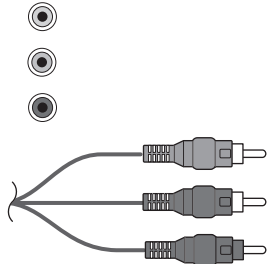
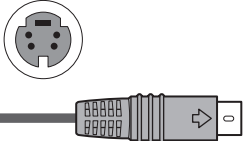
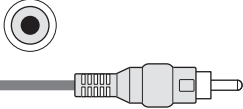
El formato variable permite ampliar el formato 4:3 y el vídeo anamórfico para rellenar la pantalla.

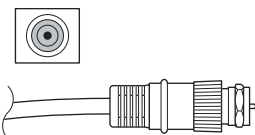
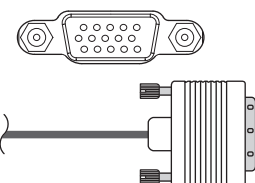
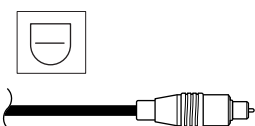
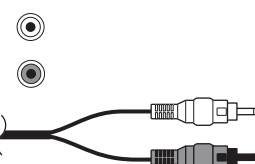
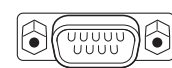
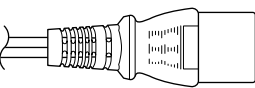
¿Qué es HDMI?

La interfaz multimedia de alta definición (HDMI, o "High Definition Multimedia Interface") es la primera interfaz de vídeo y audio totalmente digital, no comprimida, aceptada por la industria. Los componentes HDMI pueden transmitir tanto audio como vídeo digital a través de un solo cable con mejor calidad que las conexiones analógicas tradicionales, ya que la transmisión es totalmente digital. Hoy en día las señales digitales, como las de un DVD o las de la programación HDTV, se pueden transmitir sin necesidad de conversiones analógicas que degraden la señal original.

Identificación de los cables utilizados

En la tabla siguiente mostramos todos los tipos de cables disponibles para el televisor. Muestra una vista lateral de cada cable, con su correspondiente conector.

Tipo/conexión de cable	Descripción
<p style="text-align: center;">HDMI</p> 	<p>Puede transmitir señales digitales no comprimidas tanto de vídeo como de audio, ya que dispone de señales de vídeo, audio y control.</p>
<p style="text-align: center;">DVI</p>  <p>DVI-D</p>  <p>DVI-I</p> 	<p>DVI requiere el uso de un cable de audio independiente.</p> <p>DVI-D transmite señales de vídeo digitales. DVI-D se puede usar con un convertor de DVI a HDMI para poder conectar a un conector HDMI en el televisor.</p> <p>DVI-I transmite señales digitales y analógicas. DVI-I se puede usar sólo con un convertor de DVI a VGA para conectar un PC a la entrada PC (VGA) del televisor.</p>
<p style="text-align: center;">Componente</p> 	<p>Cable de tres conectores o de cinco conectores: Uno para la señal Pr (rojo), uno para la señal Y (verde) y uno para la señal Pb (azul). Algunos cables de señal de vídeo componente tienen cables de audio rojo y blanco conectados. Utilizados para los receptores HDTV, reproductores de DVD y otros dispositivos equipados con conectores de salida de vídeo componente de tipo YPbPr.</p>
<p style="text-align: center;">S-Video</p> 	<p>Se utiliza con equipos como los reproductores DVD, vídeos, sintonizadores y descodificadores de cable o satélite, videocámaras y receptores de cable digital.</p>
<p style="text-align: center;">Compuesto</p> 	<p>Se utiliza con equipos como los vídeos y reproductores DVD.</p>

Tipo/conexión de cable	Descripción <i>(Continuación)</i>
<p>Antena coaxial</p> 	<p>RF o coaxial se utiliza para las conexiones de antena o de cable. A menudo se utiliza junto con un descodificador de cable o satélite si no existe ninguna otra opción.</p>
<p>VGA</p> 	<p>Interfaz utilizada con PCs y monitores.</p>
<p>Sonido digital</p> 	<p>Cable de audio óptico de alta resolución utilizado para los sistemas de audio externos opcionales, como el sonido de canales envolventes ("channel surround sound") 5.1.</p>
<p>RCA</p> 	<p>Los conectores de audio rojo y blanco que se conectan a las entradas de audio roja y blanca (izquierda y derecha).</p>
<p>RS-232</p> 	<p>Interfaz serie utilizada exclusivamente para fines comerciales.</p>
<p>Cable de alimentación</p> 	<p>Conecta el televisor a la toma de corriente.</p>

Especificaciones

Pantalla	
Pantalla del televisor	Televisor LCD TFT
Dimensiones en pulgadas (mm)	
<p>The image contains three technical drawings of the HP LCD TFT monitor. The first drawing is a front view showing the width (W), height (H), and base width (A). The second drawing is a side view showing the thickness (T) and base depth (D). The third drawing is a rear view showing the depth (C), mounting hole spacing (200 mm / 7.9"), and center line.</p>	
<p>HP LC4776N: W: 44,4 (1128), H: 31,7 (804), A: 22,0 (558), B: 29,3 (744), T: 5,4 (138), D: 11,0 (279), C: 15,6 (395)</p> <p>HP LC4276N, LC4272N, LC4270N: W: 40,0 (1015), H: 28,5 (724), A: 22,0 (558), B: 26,6 (676), T: 5,3 (135), D: 11,0 (279), C: 14,0 (355)</p> <p>HP LC3772N, LC3770N: W: 35,7 (908), H: 26,7 (678), A: 22,0 (558), B: 24,3 (617), T: 5,2 (133), D: 11,0 (279), C: 11,1 (283)</p> <p>HP LC3272N, LC3270N: W: 30,9 (786), H: 24,0 (610), A: 20,0 (507), B: 21,6 (549), T: 5,0 (128), D: 9,4 (239), C: 9,8 (249)</p>	
Resolución de la imagen	<p>HP LC4776N: 1920 x 1080 (para entrada de 1080p)</p> <p>HP LC4276N: 1920 x 1080 (para entrada de 1080p)</p> <p>HP LC4272N, LC4270N: 1366 x 768</p> <p>HP LC3772N, LC3770N: 1366 x 768</p> <p>HP LC3272N, LC3270N: 1366 x 768</p>
Brillo	Hasta 500 cd/m ²

Pantalla (Continuación)	
Relación de contraste	HP LC4776N: 1200:1 HP LC4276N: 1200:1 HP LC4272N, LC4270N: 1500:1 HP LC3772N, LC3770N: 1000:1 HP LC3272N, LC3270N: 1200:1
Tiempo de respuesta (típico)	HP LC4776N: 6 ms HP LC4276N, LC4272N, LC4270N: 8 ms HP LC3772N, LC3770N: 6 ms HP LC3272N, LC3270N: 8 ms
Vida útil del panel	Hasta 60.000 horas
Audio	<ul style="list-style-type: none"> ■ 10 vatios por canal (dos altavoces internos) ■ Sonido Virtual Surround (sonido envolvente virtual) de HP: Cine, Concierto ■ Salida analógica: Estéreo de 2 canales ■ Salida digital (óptica): Dolby Digital Out, PCM
Idiomas del menú en pantalla	Español/francés/inglés
Alimentación eléctrica	AC 120 V $\sqrt{}$, 60 Hz
Consumo	HP LC4776N: 330 W, HP LC4276N: 300 W HP LC4272N, LC4270N: 280 W HP LC3772N, LC3770N: 220 W HP LC3272N, LC3270N: 180 W

Función de TV	
TV estándar (CCIR)	Sistema de televisión norteamericano estándar ATSC/NTSC/Clear-QAM
Canales de recepción	VHF: 2–13 UHF: 14–69 CATV: 1–125 Emisiones digitales terrestres (8VSB): 2–69 Cable digital (64/256 Clear-QAM): 1–135
Multiplexación de audio	Sistema BTSC
Entradas admitidas	480i, 480p, 720p, 1080i, 1080p (sólo HDMI)

Conectores	
Entrada de alta definición digital	Conectores de entrada HDMI (tipo A) con HDCP: <ul style="list-style-type: none"> ■ HDMI 1 (con HDMI Audio In L y R) ■ HDMI 2 ■ HDMI 3 (sólo en algunos modelos)
Entrada de alta definición de vídeo componente	<ul style="list-style-type: none"> ■ 1: Y, Pb y Pr y Audio L y R ■ 2: Y, Pb y Pr y Audio L y R
Entrada de definición estándar	<ul style="list-style-type: none"> ■ Entrada AV 1: S-Vid, Vídeo y Audio L y R ■ Entrada AV 2: S-Vid, Vídeo y Audio L y R
Entrada PC	Entrada de monitor VGA con audio L/R (Line In)
Salida de audio	<ul style="list-style-type: none"> ■ Digital (óptico) en formato Dolby Digital o PCM ■ Salida audio L y R estéreo analógica (RCA)
ANT/Cable In (entrada RF)	75 ohmios no equilibrado, tipo F para entrada de VHF/UHF/CATV
RS-232 serie (sólo en algunos modelos)	Entrada en serie (sólo para uso comercial)
Puerto de servicio	USB (sólo para reparaciones)

Peso	
Panel de televisor (sin base)	HP LC4776N: 66,0 libras (29,9 kg) HP LC4276N, LC4272N, LC4270N: 52,8 libras (23,9 kg) HP LC3772N, LC3770N: 40,7 libras (18,5 kg) HP LC3272N, LC3270N: 33 libras (15,0 kg)
TV con base	HP LC4776N: 75,9 libras (34,4 kg) HP LC4276N, LC4272N, LC4270N: 61,6 libras (27,9 kg) HP LC3772N, LC3770N: 49,5 libras (22,5 kg) HP LC3272N, LC3270N: 40,7 libras (18,5 kg)

Entorno	
Temperatura de funcionamiento con humedad	32° F hasta 95° F (0° C hasta 35° C) a 20% hasta 80% de humedad relativa
Temperatura de almacenamiento con humedad	-4° F hasta +122° F (-20° C hasta +50° C) a 10% hasta 90% de humedad relativa

Accesorios	
En la caja	Documentación, mando a distancia, abrazadera para cables y cable de alimentación de corriente
Homologación y cumplimiento de normas	UL, C-UL, FCC, BETS-7, televisor certificado por ENERGY STAR
Garantía	1 año para piezas y mano de obra

Todas las especificaciones representan las especificaciones típicas proporcionadas por los fabricantes de componentes HP; el rendimiento real puede ser mayor o menor.

La vida del panel se determina como el tiempo durante el que la luminancia es del 50% del valor inicial utilizando la corriente típica con operación continua a +/-25°C. 60.000 horas equivale a más de veintitrés años con el televisor encendido durante siete horas al día.

Gráfica de compatibilidad con PC

Preselección	Formato de píxeles	Frecuencia horiz. (kHz)	Polaridad horiz.	Frecuencia vert. (Hz)	Polaridad vert.	Reloj de píxeles (MHz)	Fuente
1	640 x 480	31,5	-	59,9	-	25,2	VGA
2	640 x 480	37,5	-	75,0	-	31,5	VESA
3	720 x 400	31,5	-	70,1	+	28,3	VGA
4	800 x 600	37,9	+	60,3	+	40,0	VESA
5	800 x 600	46,9	+	75,0	+	49,5	VESA
6	1024 x 768	48,4	-	60,0	-	65,0	VESA
7	1024 x 768	56,5	-	70,1	-	75,0	VESA
8	1024 x 768	60,0	-	75,0	-	78,8	VESA
9	1280 x 768	47,4	+	60,0	-	68,3	VESA
10	1280 x 1024	64,0	+	60,0	+	108,0	VESA
11	1360 x 768	47,7	+	60,0	+	85,5	VESA
12	1920 x 1080	65,0	+	30,0	+	74,25	EIA

Resolución de problemas

Consulte esta sección si tiene problemas de visualización, imagen, sonido o puesta en marcha del televisor.

Preguntas sobre la puesta en marcha inicial

Síntoma	Solución
Al encender el televisor no se oye el sonido, aunque sí se ve la imagen.	<ul style="list-style-type: none"> ■ Está el volumen demasiado bajo? Pulse el botón Volumen. ■ ¿Está activada la opción Silencio? Pulse el botón Silencio o el botón Volumen. ■ ¿Están apagados los altavoces en el menú en pantalla (OSD)? Presione el botón Menú para abrir el menú en pantalla (OSD). Pulse el botón de flecha hacia abajo para seleccionar Audio y entonces pulse el botón OK (Aceptar); pulse el botón de flecha hacia abajo para seleccionar Altavoz y pulse OK (Aceptar); pulse la flecha hacia abajo para seleccionar On (Encendido) y pulse OK (Aceptar). Presione el botón Menú para cerrar el menú en pantalla (OSD).
No oigo el sonido del receptor HDMI, DVD u otro tipo de dispositivo.	<p>Compruebe que el dispositivo emite audio mediante HDMI en formato PCM. Cambie la configuración del dispositivo si es necesario.</p> <p>Este televisor no es compatible con entrada de audio mediante HDMI en formato Dolby Digital; para más información consulte "Comprender la salida de audio" en la página 32.</p> <p>Para utilizar la salida de Dolby Digital de su dispositivo de salida digital, conecte la salida digital de su dispositivo directamente a la entrada de su receptor AV o sistema de sonido externo compatible con Dolby Digital.</p>
No se ve ninguna imagen al encender el televisor.	<ul style="list-style-type: none"> ■ ¿Está correctamente conectado el componente del que proceden las señales de entrada? Verifique que los cables están bien insertados en los conectores de acuerdo con los colores. ■ ¿Está la fuente de la señal de entrada encendida? Encienda el receptor externo, el reproductor DVD o cualquier otro dispositivo que esté intentando visualizar. ■ ¿Está seleccionada la fuente de señales de entrada correcta? Pulse el botón Fuente del mando a distancia y confirme la fuente que está seleccionada. ■ Pulse el botón Menú del mando a distancia o en el televisor: <ul style="list-style-type: none"> ■ Si aparece el menú en pantalla, compruebe los cables que van a la fuente de entrada y pulse el botón Fuente del mando a distancia o en el televisor para elegir la fuente de señales de entrada. ■ Si no aparece el menú en pantalla (OSD), consulte el tema siguiente, "La unidad no se enciende."

Síntoma	Solución <i>(Continuación)</i>
La unidad no se enciende.	<ul style="list-style-type: none"> ■ Presione el botón Encendido del mando a distancia. ■ Si el indicador de encendido del televisor está encendido (azul), pulse el botón de encendido del televisor. ■ ¿Está desconectado el cable de alimentación? Asegúrese de que los dos extremos del cable de alimentación están conectados. ■ ¿Sale corriente de la toma? Enchufe una lámpara u otro dispositivo eléctrico que funcione correctamente en la misma toma de corriente que el televisor para asegurarse de que sale corriente de la toma. ■ Si utiliza una toma de corriente múltiple (ladrón), asegúrese de que está encendida.
La unidad no funciona.	<ul style="list-style-type: none"> ■ Influencias externas como rayos o electricidad estática pueden causar un funcionamiento incorrecto. En este caso, utilice la unidad después de encender el televisor o desenchufe el cable de alimentación y vuelva a enchufarlo después de transcurrir 1 o 2 minutos.
Los colores resultan extraños, desvanecidos o desalineados.	<ul style="list-style-type: none"> ■ Ajuste el tono de la imagen. ■ ¿Está demasiado iluminada la sala? La imagen puede aparecer oscura en una sala que está demasiado iluminada. ■ Compruebe el ajuste de la señal de entrada. ■ Si utiliza un dispositivo de vídeo componente, asegúrese de que los cables rojo, azul y verde están completamente insertados en los conectores correctos situados a ambos extremos.
La unidad se apaga de repente.	<ul style="list-style-type: none"> ■ ¿Está activado el temporizador de apagado? ■ Ha aumentado la temperatura interna del televisor. Retire los objetos que bloqueen la rejilla de ventilación o limpie la rejilla de ventilación.

Preguntas sobre la visualización

Síntoma	Solución
La calidad de la imagen procedente del vídeo es muy mala.	Compruebe lo siguiente: configuración incorrecta, interferencia local, interconexiones de cable. Ajuste los mandos de la imagen según corresponda. Pruebe ubicar el televisor en otro sitio. Compruebe que las conexiones están bien fijadas.
No aparece ninguna imagen y tengo un dispositivo externo que controla el televisor.	<ul style="list-style-type: none"> ■ Pulse el botón Fuente del mando a distancia y confirme la fuente que está seleccionada. ■ Verifique que esté encendido el dispositivo externo o el PC. ■ Asegúrese de que el dispositivo fuente está conectado. ■ Compruebe la función de gestión de la alimentación del dispositivo de la fuente. ¿Se encuentra en modo de espera? ■ Conecte la fuente al televisor. Utilice el dispositivo externo o el PC (mueva el ratón o pulse una tecla).
La imagen, con una fuente de entrada de vídeo componente, es demasiado roja, azul o verde o el color negro es demasiado intenso o demasiado pálido.	<ul style="list-style-type: none"> ■ Asegúrese de que cada cable está enchufado al conector de color correcto de los conectores del televisor y de los conectores de la fuente de entrada. ■ Asegúrese de que los cables están bien insertados en ambos extremos. ■ Consulte "Ajustes de imagen AV" en la página 31.

Preguntas acerca de la calidad de la imagen

Síntoma	Solución
Parte de la imagen está cortada o la imagen no está centrada.	Compruebe los ajustes de posición y realice los cambios correspondientes a los ajustes de pantalla.
La imagen es demasiado grande o demasiado pequeña.	Pulse el botón Aspect (Aspecto) del mando a distancia para seleccionar un tamaño de imagen diferente.
La imagen es inestable.	Verifique que el ajuste de resolución del dispositivo externo o PC sea el correcto. Realice el ajuste de resolución apropiado.
La imagen tiene barras negras laterales y no las puedo eliminar escogiendo un formato diferente.	Pulse el botón Información del mando a distancia para ver el modo de transmisión de la emisora. Algunas emisoras transmiten programación de definición estándar directamente en formato 16:9, de forma que la imagen tiene barras negras laterales integradas. Para ese tipo de señal de entrada el modo Panorámico no está disponible, y los modos Zoom 1 y Zoom 2 no eliminan las barras laterales.
Al ver un DVD la imagen tiene barras negras en la parte superior e inferior de la pantalla.	Las películas se filman en una gran variedad de formatos panorámicos. Si el formato original de la película no coincide con el formato del televisor, aparecerán bandas negras sobre y debajo de la imagen.

Preguntas acerca del mando a distancia

Síntoma	Solución
El mando a distancia no funciona.	<p>Compruebe lo siguiente e intente realizar la solución propuesta:</p> <ul style="list-style-type: none"> ■ Asegúrese de que las pilas están insertadas con las polaridades colocadas correctamente. ■ Asegúrese de que las pilas del mando a distancia están cargadas. Si se han gastado, sustitúyalas por pilas nuevas. ■ Asegúrese de que el mando a distancia se encuentra dentro su alcance operativo. ■ Asegúrese de que la ventana del sensor para recepción del mando a distancia de la parte frontal del televisor no está sometida a demasiada luz, luz solar directa o luz artificial intensa. ■ Asegúrese de que no hay obstáculos entre el mando a distancia y la ventana de sensor de la parte frontal del televisor. ■ Asegúrese de que apunta bien el mando a distancia al televisor y de que no estar a una distancia de más de 5 metros (16,4 pies).
El mando a distancia no hace funcionar otro equipo de entretenimiento doméstico.	No se trata de un mando a distancia universal. Sólo funciona con su televisor HP.
Mi mando a distancia universal no encuentra un código de televisión HP.	<p>Si desea programar un mando a distancia universal para que ejecute su televisor HP, si HP no se encuentra en la lista de códigos de marca admitidos, utilice el código de un televisor Philips. El mando a distancia HP utiliza los códigos de mandos a distancia de Philips, bajo licencia de esta marca.</p> <p>Una vez programado su mando a distancia universal utilizando un código Philips, puede ejecutar las funciones de su televisor HP para: volumen, silencio, encendido y fuente de entrada.</p>
No puedo agregar un canal a la lista de canales favoritos.	Para añadir un canal a la lista de favoritos, el canal tiene que estar presente en la lista de canales. El Asistente de configuración o el Auto Scan (Escaneo automático) del menú Canal del menú en pantalla (OSD) crea la lista de canales al buscar canales. Ejecute el Asistente de configuración o el Auto Scan (Escaneo automático); consulte "Inicio del asistente de configuración" en la página 42, or "Búsqueda de canales" en la página 33.

Part number: 5991-7846
Wistron Part Number: 46.3YK01.001